



Project \_\_\_\_\_  
 AIA # \_\_\_\_\_ SIS # \_\_\_\_\_  
 Item # \_\_\_\_\_ Quantity \_\_\_\_\_ C.S.I. Section 114000



## OV310 STAND Mini Rack Oven Stand



### STANDARD FEATURES

- + For use with OV310 series oven
- + Stainless steel construction
- + 27" height provides optimum working height
- + Holds 12 18" x 16" pans with 3" spacing
- + Heavy duty 4" swivel casters (4 locking)

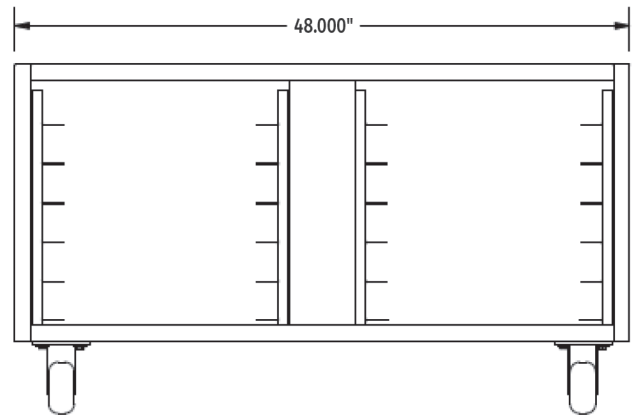
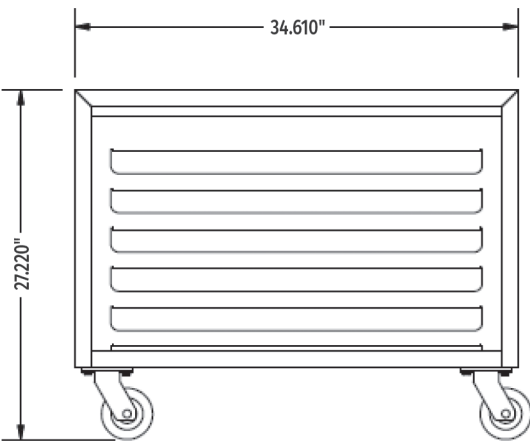
### OPTIONS

- LEG-KIT:** Conversion kit replaces casters with stainless steel legs

**Weight:** 138 lbs.

### SPECIFIER STATEMENT

The Mini Rack oven stand base shall be of stainless steel construction, manufactured in the United States by Baxter Mfg. The unit footprint shall be 48"W x 34.61"D x 27.220"H and be able to support an oven with the same width and depth dimensions and up to 785 lbs. The stand shall include 12 pan capacity with capacity with 3" spacing and have an accessory for a leg kit to replace casters.



**OV310 STAND – MINI RACK OVEN STAND**

As continued product improvement is a policy of Baxter, specifications are subject to change without notice.

CAD and/or Revit Files Available

Approved by \_\_\_\_\_ Date \_\_\_\_\_ Approved by \_\_\_\_\_ Date \_\_\_\_\_