

INSTRUCTIONS
MODELS
INSTRUCTIONS
INSTRUCTIONS
EMPLOIES
EMPLOIES
EMPLOIES

AM16 DISHWASHERS



MODELS

AM16 - BAS
AM16T - BAS

AM16VL - BAS
AM16VLT - BAS

AM16 - ASR
AM16T - ASR

AM16VL - ADV
AM16VLT - ADV

AM16SVLT

AM16SCB

AM16VLSCB



701 S. RIDGE AVENUE
TROY, OHIO 45374-0001

937 332-3000

www.hobartcorp.com

FORM 41173 (November 2021)

Model AM16-BAS



Model AM16T-BAS



Model AM16VL-BAS



Model AM16VLT-BAS



Model AM16-ASR



Model AM16T-ASR



Model AM16VL-ADV



Model AM16VLT-ADV



Model AM16SCB



TABLE OF CONTENTS

GENERAL	4
INSTALLATION	5
Unpacking	5
Installation Codes	5
Location	6
Corner Installation	7
Plumbing Connections	8
Water Requirements	8
Water Supply Connection	9
Drain Connection	10
Venting Requirements	11
Rate of Exhaust Flow Calculations	11
Table A: Heat Dissipation	12
Electrical Connections	12
Voltage Adjustment (380 - 415 Volt Machines Only)	14
Motor Rotation (480-Volt & 50-Hertz Machines Only)	14
Equipment Connections	15
Vent Fan Control	15
Hobart Supplied Detergent, Rinse Aid, and Sanitizer Dispenser Installation	15
Chemical Pump Programming (For Machines Equipped with Hobart Chemical Pumps)	15
Chemical Pump Priming	18
Testing Sanitizer (Chemical Sanitizing Machines)	19
Detergent and Rinse Aid Dispensers (For Machines with Chemical Pumps Supplied by Others)	19
Tubing Installation	19
Detergent Dispenser	20
Rinse Aid Dispenser	20
Detergent and Rinse Aid Dispensers — Equipment Connections	21
Detergent Dispenser	21
Rinse Aid Dispenser	21
OPERATION	22
Preparation	22
Dishwashing	24
Recommended Condense Time (Based on Incoming Water Temp.)	25
CLEANING	27
Delime Instructions	27
Manual Delime Process (Models AM16-BAS, AM16T-BAS, AM16VL-BAS, AM16VLT-BAS, AM16SCB and AM16VLSCB)	27
Auto Delime Process (Models AM16-ASR, AM16T-ASR, AM16VL-ADV, AM16VLT-ADV and AM16SVLT)	28
Dos and Don'ts for Your New Hobart Warewasher	29
PROGRAMMING	30
Manager Menu	30
Manager Menu Parameters	30
Hobart SmartConnect App	33
Getting Connected	32
MAINTENANCE	35
Wash Arms	35
Motor(s)	35
Chemical Pumps	35
Cleaning Baffles on AM16VLT-BAS, AM16VLT-ADV and AM16SVLT Models	35
TROUBLESHOOTING	37
Error Code Chart with Possible Solutions	37
Communication Module	41
SERVICE	43
AM16 Expendable Parts	43

Installation, Operation and Care Of AM16 DISHWASHERS SAVE THESE INSTRUCTIONS

GENERAL

Models AM16-BAS, AM16T-BAS, AM16VL-BAS, AM16VLT-BAS, AM16-ASR, AM16T-ASR, AM16VL-ADV, AM16VLT-ADV, AM16SVLT, AM16SCB, AM16VLSCB dishwashers can be configured for both straight through or corner operation. AM16-BAS, AM16T-BAS, AM16VL-BAS, AM16VLT-BAS, AM16-ASR, AM16T-ASR, AM16VL-ADV, AM16VLT-ADV, AM16SVLT, AM16SCB, AM16VLSCB dishwashers are shipped from the factory in straight through configuration. Straight through machines can be easily converted to corner operation.

The AM16-BAS, AM16T-BAS, AM16VL-BAS, AM16VLT-BAS, AM16-ASR, AM16T-ASR, AM16VL-ADV, AM16VLT-ADV, AM16SVLT dishwashers are designed to operate in hot water sanitizing mode only (Designated by the NSF temperature requirements of 150°F Wash and 180°F Rinse. These temperatures can be found on the label located under the touchscreen controls on the lower part of the machine).

The AM16SCB, AM16VLSCB dishwashers are designed to operate in chemical sanitizing mode only (Designated by the NSF temperature requirements of 120°F Wash and 120°F Rinse. These temperatures can be found on the label located under the touchscreen controls on the lower part of the machine).

The serial number can be found on the machine data label located at the bottom of the front right leg of the machine.

Hobart supplied chemical pumps ship standard with all AM16SVLT, AM16SCB and AM16VLSCB models. Chemical pumps are available as an accessory kit (field installed) for all other models or contact your chemical representative for a chemical feeder system to be supplied and installed by others.

The wash pump motor is rated 2 H.P. and has thermal overload protection.

The fill line incorporates an air gap on all models to prevent any reverse flow of water from the dishwasher into the potable water supply. The unit, once turned on, fills the wash tank to the appropriate level and automatically stops filling once the level is reached. A pressure transducer reads the water level in the wash tank and shuts off the heat supply if the water level becomes too low. When the water returns to the proper level, the heating circuit becomes operational again.

An automatic pumped drain and pumped rinse system are standard on all models.

A frame mounted 7.1kW electric booster water heater is equipped on all hot water sanitizing models. The booster water heater is designed to maintain a minimum final rinse temperature of 180°F provided the incoming water is at least 110°F. For ventless models AM16VL-BAS, AM16VLT-BAS, AM16VL-ADV, AM16VLT-ADV and AM16SVLT, the booster water heater is designed to maintain a minimum final rinse temperature of 180°F with cold incoming water of at least 55°F.

Models AM16SCB and AM16VLSCB are provided with a 4.3kW electric booster water heater. The booster water heater is designed to maintain a minimum final rinse temperature of 120°F provided the incoming water is at least 90°F (120°F recommended).

Ventless Models AM16VL-BAS, AM16VLT-BAS, AM16VL-ADV, AM16VLT-ADV and AM16VLSCB do not require a vent hood. They use an internal condensing system to minimize the water vapor escaping from the unit during loading and unloading. High-temperature AM16-BAS, AM16T-BAS, AM16-ASR, AM16T-ASR models typically require a hood or vent

over the dishwasher to meet local codes. Low-temperature chemical sanitizing machines or low usage electric heat dishwashers may not require individual venting of the machine if the room is amply exhausted. Refer to pages 11 - 12 for venting and hood requirements. Verify with local code officials for final determination.

Models AM16-ASR, AM16T-ASR, AM16VL-ADV, AM16VLT-ADV and AM16SVLT are equipped with an Automatic Soil Removal (ASR) system. The ASR system automatically redirects food soil left over after pre-scraping to an external scrap basket located at the right side of the machine (accessory available for left hand installation). This helps to keep the wash water cleaner, reducing the frequency of water changes. This saves water, energy, and chemicals. The AM16-ASR-Series machines are only available in hot water sanitizing mode.

Models AM16VL-ADV, AM16VLT-ADV and AM16SVLT require a single cold-water supply and come equipped with a drain water energy recovery system which includes drain water tempering. They utilize a heat exchanger to capture the energy from the drain water and preheat the incoming cold water for the final rinse. The AM16VL-ADV, AM16VLT-ADV and AM16SVLT are also equipped with an ASR system.

INSTALLATION

UNPACKING

Immediately after unpacking the dishwasher, check for possible shipping damage. If this machine is found to be damaged, save the packaging material and contact the carrier within 5 days of delivery.

NOTE: Use caution when using a forklift to remove machine from skid. DO NOT use door lift handle to move machine, as it will cause door lift issues.

Prior to installation, test the electrical service to ensure it agrees with the specifications on the machine data plate. The dishwasher data plate is located at the lower right hand corner of the machine.

INSTALLATION CODES

Installation must be in accordance with state and local codes and the National Electrical Code ANSI/NFPA70 (latest edition). In Canada, the installation code is CSA 22.1 (latest edition).

LOCATION

Before finalizing the location, make sure that consideration has been given for the electrical conduit, water supply, drain connection, venting (if applicable), tabling (if needed), chemical feeder replenishment (if applicable) and adequate clearance for opening the door.

The dishwasher must be level before any connections are made. Turn the threaded feet (Fig. 1) as required to level the machine and adjust to the desired height.

The edge of dish table that overhangs the AM16 wash tank should be turned down and fitted over the top of the dishwasher tank (Fig. 2). Apply an NSF approved sealant between the overhang of the dish table and the inner wall of the wash tank to prevent leakage (Fig. 2). Fasten the dish tables to the inner wall of the wash tank with non-rusting truss head screws or rivets (Fig. 2).

For straight-through installations, 30" clearance at the front and 15" clearance at the right side by 29-1/2" clearance above the finished floor must be provided for service.

For machines equipped with ASR, 30" clearance at the front and 24" clearance at the right side (or left if ASR is relocated to left side) by 33" clearance above the finished floor must be provided for service. If ASR is relocated to left side, then 15" clearance is required at right side.

NOTE: For 480-volt units, 20" clearance required at left side.

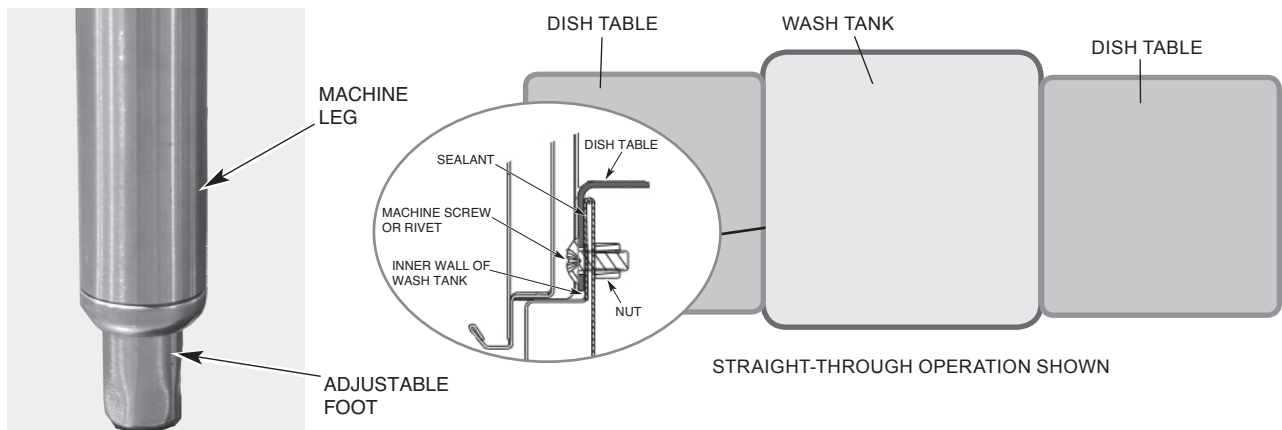


Fig. 1

Fig. 2

Based on dish table design, rear table brackets (Fig. 3) may need to be adjusted or removed. Loosen the two bolts and nuts and adjust or remove as required.



Fig. 3

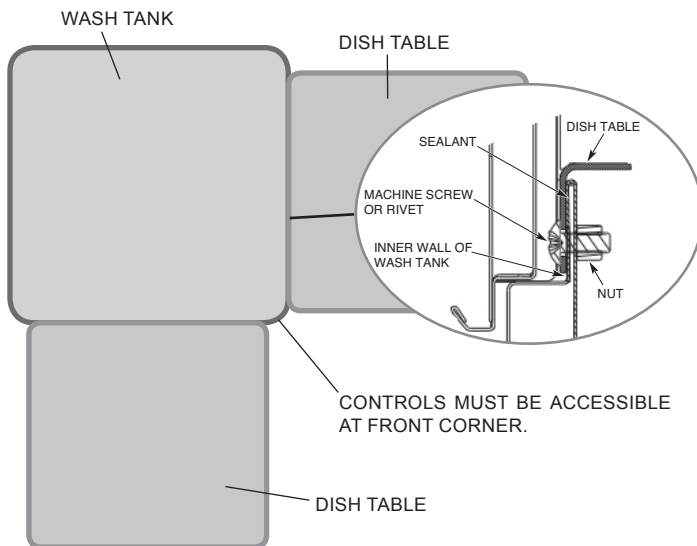
NOTE: For AM16-ASR, AM16T-ASR, AM16VL-ADV, AM16VLT-ADV and AM16SVLT models, the ASR module may be relocated to the left side of the machine using service kit part number 00-950446 or sales accessory kit ASRLEFTKIT-AM16.

CORNER INSTALLATION

Before placing the dishwasher in its operating location, check machine configuration. If the machine is being installed in a corner (Figs. 4, 5), clearances of 30" out from the dishwasher under the left-hand tabling by 29-1/2" above the finished floor and 15 inches out from the dishwasher at the right side by 29-1/2" above the finished floor must be provided for servicing. For proper installation of a corner machine, the control and display should be positioned at the front corner for operator access (Fig. 5).

For corner installations, reposition the rack guide to the left side of the rack track using the following procedure (Fig. 6).

1. Remove two nuts and bolts securing front rack guide to rack track and remove rack guide.
2. Position rack guide on left side of rack track aligning holes in rack guide to spacers on rack track.
3. Secure using hardware removed in Step 1. Note: Nuts should be installed on the inside of the rack track.



CORNER OPERATION SHOWN

Fig. 4

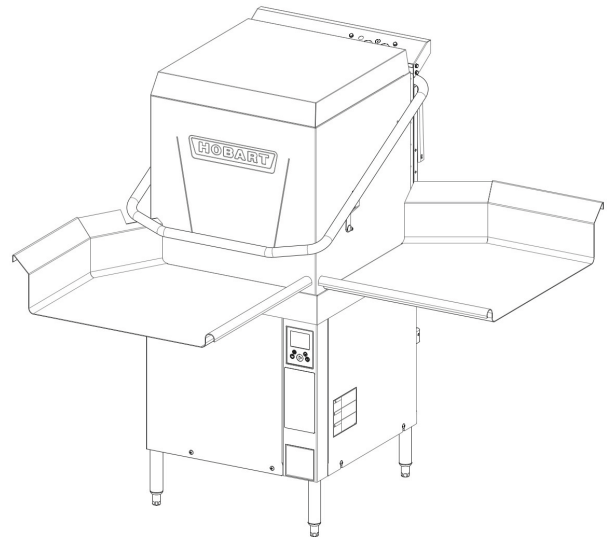
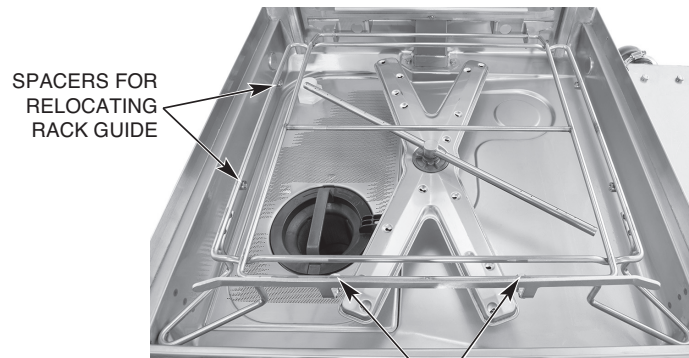


Fig. 5

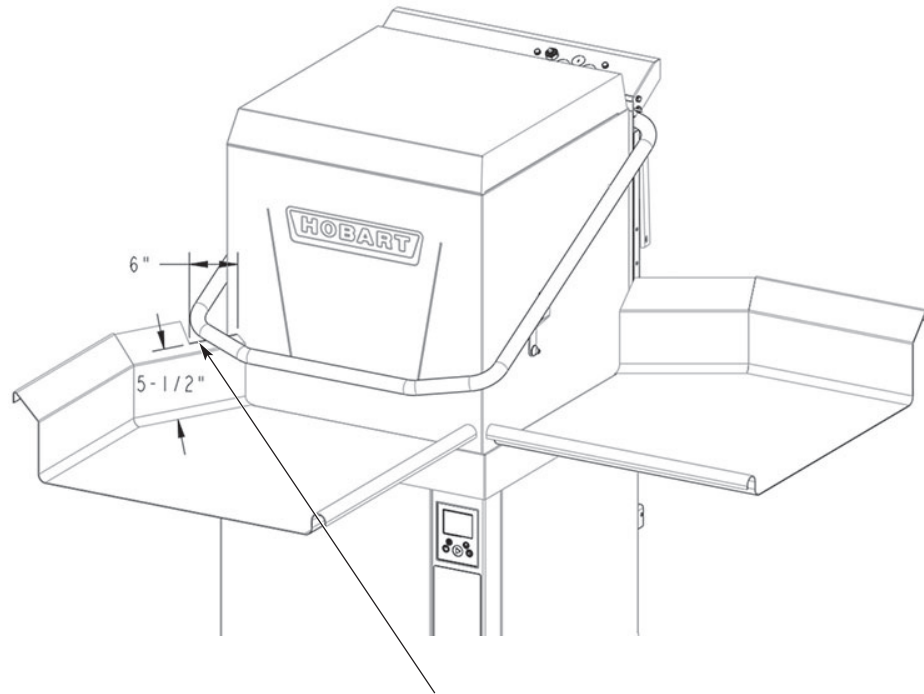


REMOVE (2) NUTS & BOLTS

Fig. 6

A splash shield kit is available (at extra cost) for corner installations to prevent excessive splashing on wall. Order sales accessory CORNER-INST-AM16 or service kit part number 00-562156-00001. For installation, refer to 0F-45885 installation instructions supplied with kit.

For corner installations, tabling with backsplashes over 5-1/2" high require that a notch be provided to prevent interference with the door handle (Fig. 7).



A NOTCH MUST BE ADDED TO BACKSPASHES OVER 5-1/2" HIGH ON CORNER MACHINES TO PREVENT INTERFERENCE WITH DOOR HANDLE. NOTCH MUST EXTEND 6" FROM FACE OF THE MACHINE.

Fig. 7

PLUMBING CONNECTIONS

⚠ WARNING Plumbing connections must comply with applicable sanitary, safety and plumbing codes.

Water Requirements

Proper water quality can improve ware washing performance by reducing spotting, enhancing effectiveness of labor and extending equipment life. Water conditions vary from one location to another. The recommended proper water treatment for effective and efficient use of this equipment will also vary depending on the local water conditions. Ask your municipal water supplier for details about local water conditions prior to installation.

Recommended water hardness is 3 grains of hardness per gallon or less. Higher hardness may cause excessive formation of lime scale. Water hardness above 3 grains per gallon requires water treatment. Water treatment has been shown to reduce costs associated with machine cleaning, reduce deliming of the dishwasher and reduce detergent usage in the dishwasher. Chlorides must not exceed 50 ppm.

NOTICE High iron levels in the water supply can cause staining and may require an iron filter. High chloride levels in the water supply can cause pitting and may require a chloride removal system. Contact you local water treatment professional for proper water treatment.

Sediment may require a particulate filter. Dissolved solids may require water treatment such as a water softener, reverse osmosis system, etc. Contact your local water treatment professional for proper water treatment.

If an inspection of the dishwasher or booster heater reveals lime build-up after the equipment has been in service, water treatment is recommended. If a water softener is already in place, ensure there is a sufficient level of salt. Contact your Hobart Service office for specific recommendations.

Water Supply Connection

The plumber connecting this machine is responsible for making certain that water lines are THOROUGHLY FLUSHED OUT BEFORE connecting to the dishwasher. This "flush-out" is necessary to remove all foreign matter, such as chips (resulting from cutting or threading of pipes) pipe joint compound from the lines; or, if soldered fittings are used, bits of solder or cuttings from the tubing. Debris, if not removed, may lodge in the dishwasher's plumbing components and render them inoperative. Manual valves or solenoid valves fouled by foreign matter and any expenses resulting from this fouling are NOT the responsibility of the manufacturer and associated repair costs are not covered under warranty.

Water supply requirements are as follows:

WATER SUPPLY REQUIREMENTS

Model	Sanitizing Mode	Connection	Water Supply		
			Minimum	Maximum	Recommended
AM16-BAS AM16T-BAS	Hot Water Sanitizing	Hot Water	110°F (43°C)	N/A	140°F (60°C)
AM16-ASR AM16T-ASR	Hot Water Sanitizing	Hot Water	110°F (43°C)	N/A	140°F (60°C)
		Cold Water	55°F (13°C)	90°F (32°C)	65°F (18°C)
AM16VL-BAS AM16VLT-BAS AM16VL-ADV AM16VLT-ADV AM16SVLT	Hot Water Sanitizing	Cold Water	55°F (13°C)	90°F (32°C)	65°F (18°C)
AM16SCB	Chemical Sanitizing	Hot Water	120°F (49°C)	N/A	140°F (60°C)
AM16VLSCB	Chemical Sanitizing	Hot Water	120°F (49°C)	N/A	140°F (60°C)
		Cold Water	55°F (13°C)	90°F (32°C)	65°F (18°C)

AM16-ASR, AM16T-ASR and AM16VLSCB models require both a cold water supply and a hot water supply.

NOTICE On AM16VL-BAS, AM16VLT-BAS, AM16VL-ADV, AM16VLT-ADV, AM16SVLT and AM16VLSCB installations, the cold water supply must not exceed 90° F (32° C) for proper operation. Optimal results are obtained when cold water supply temperature is below 65° F (18° C). For best results, it may necessary to use 1/2" pipe for cold water pipe size and minimize the distance between the dishwasher and the entrance into the building. Pipe insulation will also improve results.

If cold water supply temperature is consistently above 90° F (32° C) or if excessive water vapor or steam is entering the dish room after the condensing cycle is complete, contact Hobart Service to increase condensing time.

Required flowing water pressure to the dishmachine is 15 – 65 PSIG. If flowing pressures higher than 65 PSIG are present, a pressure regulating valve must be installed in the water line to the dishmachine (by others). If flowing pressure is less than 15 psi, improper machine operation may result. All AM16 models are equipped with a pumped rinse system; therefore, a water pressure gauge is not required and is not supplied with the machine.

NOTICE The water pressure regulator must have a relief bypass. Failure to use the proper type of pressure regulator may result in damage to the unit.

A manual shutoff valve (not supplied) should be installed upstream of the fill hose to accommodate servicing the machine. It is recommended that a line strainer (not supplied) be installed in the supply line between the manual shutoff valve (not supplied) and the connection point on the machine.

All machines ship standard with a 96" long stainless steel braided fill hose with a 3/4" female garden hose fitting. A second fill hose is shipped for machines equipped with both hot and cold water connections. Make plumbing connections with 1/2" minimum copper piping OD (3/4" recommended), with a 3/4" male garden hose fitting (not supplied).

Drain Connection

A drain hose, 5/8" inside diameter and 6' long, is provided with machine. This should be securely plumbed into a drain. Use care not to kink the hose. Drain must have a minimum flow capacity of 18.5 gallons per minute. The drain hose height cannot exceed 40" above finished floor.

If a grease trap is required by code, it should have a minimum flow capacity of 18.5 gallons per minute.

If machine is equipped with ASR, use supplied pumped drain air gap kit (part # 00-562723-00001) shipped with machine; refer to installation instructions included with kit. For -BAS and VL-BAS models, pumped drain air gap kit is available through sales using accessory code PMP-DRAIN-AM16 or service kit part # 00-562723-00002.

NOTE: If machine is equipped with ASR, DO NOT plumb ASR drain line to 3-comp sink drain.

VENTING REQUIREMENTS

NOTE: Any listed and labeled factory-built commercial exhaust hood tested in accordance with UL Standard 710 by a nationally recognized testing laboratory, must be installed according to the terms of its listing and the manufacturer's installation instructions.

Rate of Exhaust Flow Calculations

Based on the 2018 International Mechanical Code.

The minimum net airflow for Type II hoods used for dishwashing appliances shall be 100 cfm per linear foot of hood length. The net quantity of exhaust air shall be calculated by subtracting any airflow supplied directly to a hood cavity from the total exhaust flow rate of a hood.

Ventless models AM16VL-BAS, AM16VLT-BAS, AM16SVLT, AM16VL-ADV, AM16VLT-ADV and AM16VLSCB do not require a Type II vent hood. According to 507.3 of the 2018 IMC, Type II hoods are not required where the heat and moisture load is incorporated into the HVAC system design. See Table A (page 12) for heat dissipation or heat gain to space.

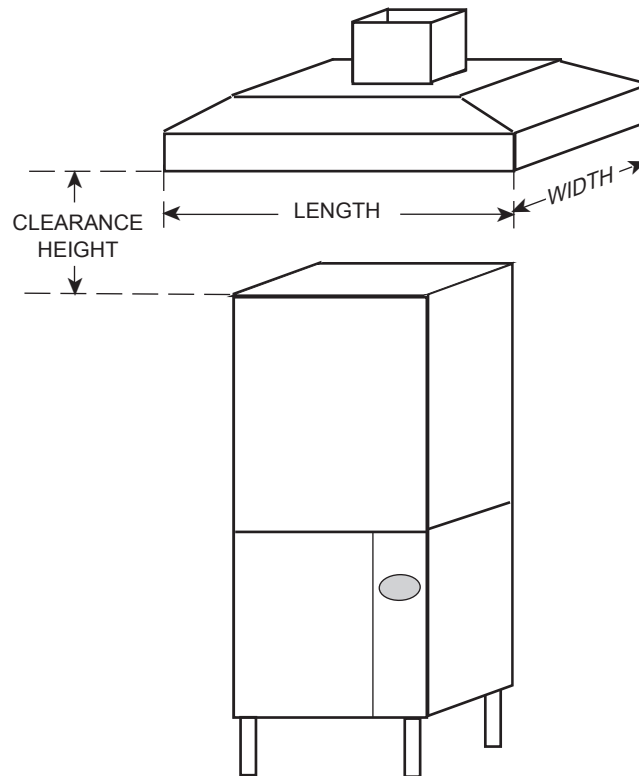


Fig. 8

TABLE A: HEAT DISSIPATION

	Model	Electric Heat	Electric Booster		Latent Heat (BTU/HR)	Sensible Heat (BTU/HR)
Hot Water Sanitizing	AM16-BAS	X	X		7,800	4,000
	AM16T-BAS	X	X		12,300	5,700
	AM16VL-BAS	X	X		4,300	3,500
	AM16VLT-BAS	X	X		6,800	5,000
	AM16-ASR	X	X		7,800	4,000
	AM16T-ASR	X	X		12,300	5,700
	AM16VL-ADV	X	X		3,200	3,700
	AM16VLT-ADV	X	X		5,100	5,300
	AM16SVLT	X	X		5,100	5,300
Chemical Sanitizing	AM16SCB	X	X		3,570	6,700
	AM16VLSCB	X	X		3,600	4,200

- Assumptions:
1. Machines operate 70% of each hour while in use.
 2. Values shown are heat that enters room.
 3. 70% of heat output is latent, 30% is sensible.

ELECTRICAL CONNECTIONS

⚠ WARNING Electrical and grounding connections must comply with the applicable portions of the National Electrical Code, NFPA 70 (latest edition) and / or other local electrical codes.

⚠ WARNING Disconnect the electrical power to the machine (both dishwasher and booster if applicable) and follow lockout / tagout procedures. Be sure all circuits are disconnected.

Refer to the wiring diagram attached inside the right hand trim panel and to the machine data plate for service size requirements when connecting the dishwasher. Also, refer to Electrical Data, shown below.

To access the controls area, remove the right side panel and open the control panel door. The dishwasher electrical service connection can be made at the 3/4" or 1" trade size knock out hole located on the right side at the rear of the machine.

ELECTRICAL DATA

Models	Volts / Hz / Ph	Tank Heat	Minimum Circuit Ampacity Maximum Protective Device AMPS		
			TB1	TB2	Standard Single Point Electrical Connection Dishwasher and Booster (3 Phase Only)
AM16-BAS, AM16T-BAS, AM16VL-BAS, AM16VLT-BAS, AM16-ASR, AM16T-ASR, AM16VL-ADV, AM16VLT-ADV, AM16SVLT	208 - 240 / 60 / 1	Electric	50	50	
	208 - 240 / 60 / 3	Electric	30	30	60
AM16-BAS, AM16T-BAS, AM16VL-BAS, AM16VLT-BAS	480 / 60 / 3	Electric	15	15	30
AM16-BAS, AM16T-BAS	200 - 240 / 50 / 3	Electric	30	30	60
	380 - 415 / 50 / 3	Electric	20	20	30
					Standard Single Point Electrical Connection with 4.3 KW Electric Booster
AM16SCB, AM16VLSCB	208 / 240 / 60 / 1	Electric			30 - 40 / 35 - 45

Compiled in accordance with the national electrical code, NFPA 70 (latest edition).

A fused disconnect switch or circuit breaker (customer supplied) must be installed in the electrical service line(s) supplying this dishwasher and should meet the requirements of your local electrical code.

All AM16 models, except for the AM16SCB and AM16VLSCB models, ship standard with a 3-phase voltage supply and a single point electric configuration. The standard single point electric supply connects to terminal block TB1 in the controls area (Fig. 9). The machine must be grounded according to electrical code(s); a grounding lug is provided.

The AM16SCB and AM16VLSCB models ship standard with a single-phase voltage supply and a single point electric configuration. The standard single point electric supply connects to terminal block TB1 in the controls area (Fig. 9). The machine must be grounded according to electrical code(s); a grounding lug is provided.



Fig. 9

To convert an AM16 model to a dual point electric configuration or to convert from 3-phase to single phase, refer to F-45845 instructions attached inside right hand trim panel of machine.

NOTE: AM16SCB and AM16VLSCB models cannot be field converted to a dual point configuration. These models can only be installed with a single-phase, single point electric connection configuration.

Voltage Adjustment (380 - 415 Volt Machines Only)

This adjustment procedure applies to all AM16 dishwashers rated at 380 to 415 volts, 50 Hz, 3 phase. All other AM16 dishwasher voltages are preset at the factory and do not require this adjustment procedure.

THIS PROCEDURE MUST BE DONE ONLY BY A QUALIFIED ELECTRICIAN.

If the supply voltage to the machine is 415 volts, no change is necessary. The control circuit transformer [T2] should already be set to operate at 415 volts.

If the supply voltage to the machine is 380 volts, the control circuit transformer [T2] must be changed to operate at 380 volts. To change the tap, relocate the red wire on TB5 terminal block from the 415V tap to the 380V tap.

NOTE: TB5 is located on the controls baseplate located at the lower right side of the machine (Fig. 10).

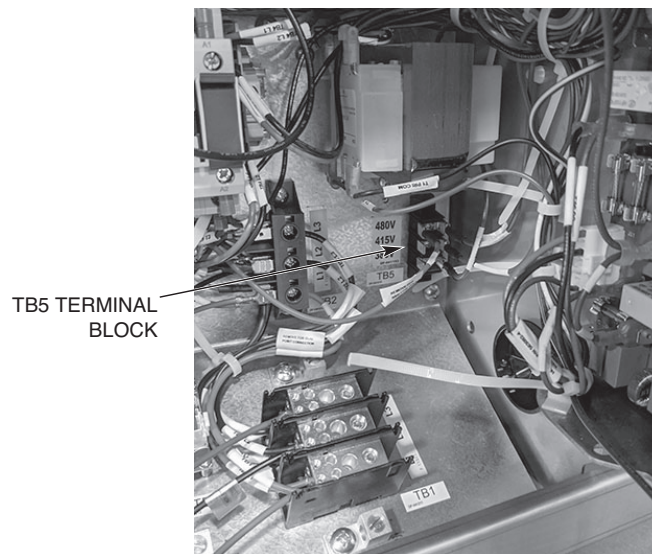


Fig. 10

Motor Rotation (480-Volt & 50-Hertz Machines Only)

Before placing machine into service, check wash pump motor for correct rotation by observing motor direction. If pump motor does not rotate in the correct direction, **DISCONNECT ELECTRICAL POWER SUPPLY** and interchange any two of the incoming power supply leads. Reconnect the power supply and verify correct rotation.

EQUIPMENT CONNECTIONS

⚠ WARNING Electrical and grounding connections must comply with the applicable portions of the National Electrical Code, NFPA 70 (latest edition) and / or other local electrical codes.

⚠ WARNING Disconnect the electrical power to the machine (both dishwasher and booster if applicable) and follow lockout / tagout procedures. Be sure all circuits are disconnected.

Vent Fan Control

The vent fan control feature is standard on all non-ventless AM16 models. The vent fan control relay provides switch contacts only and does not provide power to the vent fan motor. The rating for the vent fan control relay connected to terminals VFC1 and VFC2 is 1.5 amps at nameplate supply voltage. When the dishwasher is connected to the vent fan, the vent fan is switched on when the dishwasher is on and off when the dishwasher is off.

HOBART SUPPLIED DETERGENT, RINSE AID AND SANITIZER DISPENSER INSTALLATION

All AM16SCB, AM16VLSCB and AM16SVLT models ship standard with chemical pumps. Chemical pumps are available as an accessory kit for all other models. For standard height machines, order sales accessory code CHEMPUMP-STD-AM16 or service part #00-563068-00002. For tall machines, order sales accessory code CHEMPUMP-HTS-AM16 or service part # 00-563069. For installation instructions on the standard height accessory kit, refer to F-45893. For installation instructions on the tall height accessory kit, refer to F-45904.

NOTE: For non-ventless base machines, a power supply kit is required to install the Hobart chemical pumps. Order sales accessory code POWERSUPPLY-AM16 or service part # 00-563649. For installation instructions on the power supply kit, refer to F-45911.

Chemical Pump Programming (For Machines Equipped with Hobart Chemical Pumps)

NOTE: The Chemical Dispensing Module is factory preset to the following concentration (ml/L) settings. This adjustment procedure is to verify or alter settings if chemical dosing changes are required to achieve proper concentrations.

1. Power on dishwasher. Display shows ready screen when fill cycle has completed.
2. Press 'Menu' button.
3. With 'Manager Menu' highlighted, press the 'Enter' button. The 'Enter PIN' screen will be displayed.
4. The default manager code is 1001. Use the arrow buttons to change the value and then press the 'Enter' button to select the value and toggle to the next digit until the code is entered.
5. After pressing 'Enter' for the last digit, use the down arrow and scroll until 'chemical menu' is outlined. Press Enter.
6. Below is a list of the recommended chemical settings and the Hobart factory settings for the built-in Hobart chemical pumps. Use the Up and Down Arrows to toggle to the next Parameter.
 - a. To change a parameter value, press the Enter button once the parameter is outlined.
 - b. Press the Up and Down Arrows to change the parameter value.
 - c. Once the required parameter value is displayed, press the 'Enter' button to save the selection.

7. To exit the programming, use the Up and Down Arrows to scroll thru the parameters until 'back' is outlined and press the 'Enter' button. Repeat this procedure until the Ready screen is displayed.

AM16 Factory Detergent Default Setting & Suggested Detergent Doses										
Parameter Name	KAY QSR Machine Warewashing Detergent		Ecolab Supra LP Machine Warewashing Detergent	Ecolab Keystone Liquid Dishwashing Detergent		Ecolab Super Trump	Ecolab UltraKlene Plus		Ecolab Ecotemp Ultra Klene / UltraKlene FT	
	Concentration (ml/L) * ONLY EDITABLE MACHINE PARAMETER	2.00	2.50	2.00	0.80	1.10	1.60	2.60	3.60	0.80
Concentration (%)	Min	Max	Max	Min	Max	Max	Min	Max	Min	Max
	0.20	0.25	0.20	0.08	0.11	0.16	0.26	0.36	0.08	0.11
Chemical Volume Dose (ml/cycle)	5.07	6.34	5.07	2.03	2.79	4.06	6.59	9.13	2.03	2.79
Pump Speed	100%									
Pump On-time (s)	1.95	2.44	1.95	0.78	1.07	1.56	2.54	3.51	0.78	1.07
Pump Revolutions	4.6	5.8	4.6	1.9	2.6	3.7	6.0	8.4	1.9	2.6

- The AM16 machine factory detergent default is to 2.5 ml/L which corresponds to 6.25 ml/cycle and 5.7 pump revolutions based on KAY QSR Machine Warewashing Detergent (yellow color). Other detergents may require dose change.
- The above chemicals dose info in the table is only a guide.
- In the above table, the doses of "ml/L" and "ml/cycle" and their corresponding "pump revolutions and on-times" are based on the respective manufacturer's dose recommendations (obtained from a detergent's MSDS/SDS or Technical Data Sheet) and the AM16 rinse water volume of 0.67 gal/cycle.
- For detergents with known % dilution, calculate "ml/L" by multiplying the known % dilution by 10 e.g., 0.20 % to ml/L is 0.20 % * 10 = 2.0 ml/L.
- For detergents not listed in the table and dose unknown, use the detergents dose of "1.5 ml/L which corresponds to 3.8 ml/cycle" or work with the chemical vendor for the recommended dose.
- With the information on "ml/L", calculate "ml/cycle" by multiplying the known "ml/L" by 2.535 e.g., "2.0 ml/L" to "ml/cycle" is 2.0 ml/L * 2.535 = 5.07 ml/cycle).
- The factor "2.535 (i.e., 0.67 gal/cycle * 3.785 L/gal)" is based on the AM16 rinse volume of 0.67 gal/cycle and the conversion of "gal" to "L". The factor should change when the rinse volume changes.

AM16 Factory Default Rinse Aid Setting & Suggested Rinse Aid Doses										
Parameter Name	Ecolab Esteem Dry All		Ecolab EcoTemp Ultra Dry		Ecolab Keystone Liquid Rinse Additive		Ecolab R/O Free Rinse Additive		EcoLab Rinse Dry	
	Concentration (ml/L) * ONLY EDITABLE MACHINE PARAMETER	0.50	1.00	0.13	0.31	0.13	0.31	0.13	0.31	0.13
Concentration (%)	Min	Max	Min	Max	Min	Max	Min	Max	Min	Max
	0.05	0.10	0.0132	0.0311	0.0132	0.0311	0.0132	0.0311	0.0132	0.0311
Chemical Volume Dose (ml/cycle)	1.27	2.54	0.33	0.79	0.33	0.79	0.33	0.79	0.33	0.79
Pump Speed	100%									
Pump On-time (s)	0.49	0.98	0.13	0.30	0.13	0.30	0.13	0.30	0.13	0.30
Pump Revolutions	1.2	2.3	0.3	0.7	0.3	0.7	0.3	0.7	0.3	0.7

- The AM16 machine factory rinse aid default is set to 1.1 ml/L which corresponds to 2.75 ml/cycle and 2.4 pump. Other detergents may require change.
- The above chemical dose info in the table is only a guide.
- In the above table, the doses of "ml/L" and "ml/cycle" and their corresponding "pump revolutions and on-times" are based on the respective manufacturer's dosed recommendations (obtained from the rinse aid's MSDS/ SDS or Technical Data Sheet) and the AM16 rinse water volume of 0.67 gal/cycle.
- For chemicals with known % dilution, calculate "ml/L" by multiplying the known % dilution by 10 e.g., 0.05 % to ml/L is $0.050\% * 10 = 0.50\text{ ml/L}$.
- For chemicals **not listed in the table and dose unknown**, use the rinse aid dose of "0.9 ml/L which corresponds to 2.25 ml/cycle" or work with the chemical vendor for a recommended dose.
- With the information on "ml/L", calculate "ml/cycle" by multiplying the known "ml/L" by 2.535 e.g., "0.50 ml/L" to "ml/cycle" is $0.50\text{ ml/L} * 2.535 = 1.27\text{ ml/cycle}$.
- The factor "2.535 (i.e., 0.67 gal/cycle * 3.785 L/gal)" is based on the AM16 rinse volume of 0.67 gal/cycle and the conversion of "gal" to "L". The factor should change when the rinse volume changes.

AM16 Factory Default Sanitizer Setting & Suggested Sanitizer Doses						
Parameter Name	Ecolab Esteem Sani-NC 5.25 wt. % Sodium Hypochlorite in Bleach 3.5 ml for 75 ppm		Ecolab Eco-San 8.4 wt. % Sodium Hypochlorite in Bleach 2.2 ml for 75 ppm		Ecolab Keystone Sanitizer 8.4 wt. % Sodium Hypochlorite in Bleach 2.2 ml for 75 ppm	
Concentration (ml/L) * ONLY EDITABLE MACHINE PARAMETER	0.92	1.84	0.54	1.08	0.54	1.08
Concentration (%)	Min	Max	Min	Max	Min	Max
	50 ppm	100 ppm	50 ppm	100 ppm	50 ppm	100 ppm
Chemical Volume Dose (ml/cycle)	2.33	4.66	1.38	2.75	1.38	2.75
Pump Speed	6%	15%	4%	7%	4%	7%
Pump On-time (s)	N/A					
Pump Revolutions						

- The AM16 machine factory sanitizer default is set to 1.57 ml/L which corresponds to 3.8 ml/cycle and 80 ppm chlorine of 5.25 wt.% sodium hypochlorite in bleach solution at 11% pump speed.
- The above chemicals dose info in the table is only a guide.
- In the above table, the sanitizer doses of "ml/L" and "ml/cycle" and pump speed are based on the respective wt.% of the sodium hypochlorite in bleach (obtained from the sanitizer's MSDS/ SDS or Technical Data Sheet) and the AM16 machine's rinse water volume of 0.67 gal/cycle to form the minimum 50 ppm or maximum 100 ppm of chlorine required of NSF sanitization.
- For chlorine-based sanitizers with names not listed in the table but has the same wt.% of the sodium hypochlorite in bleach as in the table, the associated data could be used as a guide subject to confirmation by testing on the machine using chlorine test strips.
- For chlorine-based sanitizers with names not listed in the table with unknown wt.% sodium hypochlorite in the bleach, ensuring chlorine sanitization anywhere from 50 ppm to 100 ppm of chlorine inclusive for sanitization should be done by testing on the machine.

Chemical Pump Priming

All machines equipped with Hobart chemical pumps will prime automatically. If manual priming is required, follow the steps below.

1. Power on dishwasher. Display shows ready screen when fill cycle has completed.
2. Press 'Menu' button.
3. With 'Manager Login' highlighted, press the 'Enter' button. The 'enter PIN' screen will be displayed.
4. The default manager code is 1001. Use the arrow buttons to change the value and then press the 'Enter' button to select the value and toggle to the next digit until the code is entered.
5. After pressing 'Enter' for the last digit, use the down arrow and scroll until 'chemical menu' is outlined. Press Enter.
6. Scroll down until 'Prime Chemical Pumps' is outlined. Press Enter.
7. 'Prime Detergent Pump' is displayed. Use the arrow keys to select yes or no to prime the detergent pump. Press Enter button.
8. 'Prime Rinse Aid Pump' is displayed. Use the arrow keys to select yes or no to prime the rinse aid pump. Press Enter button.
9. 'Priming Sanitizer Pump' is displayed. Use the arrow keys to select yes or no to prime the sanitizer pump. Press Enter button.
10. 'filling chemical hoses' is displayed and the appropriate chemical pump(s) set to 'yes' in Steps 7 - 9 will prime for 20 seconds and display will revert back to the 'chemical menu'.

11. To exit the menu, use the Up and Down Arrows to scroll thru the parameters until 'back' is outlined and press the 'Enter' button. Repeat this procedure until the Ready screen is displayed.

Testing Sanitizer (Chemical Sanitizing Machines)

1. Place a serving bowl or mixing bowl upside down on a rack and run it through a cycle.
2. After cycle, dip a sanitizer test strip into the water collected on the surface of the bowl.
3. Compare the test strip to the test scale provided with your testing kit (Fig. 11). If the sanitizer level is out of limits (i.e. below 50 ppm or above 100 ppm), adjust the dosing. Refer to Chemical Pump Programming (page 15), for adjustment instructions, or contact your chemical provider.



Fig. 11

DETERGENT AND RINSE AID DISPENSERS (FOR MACHINES WITH CHEMICAL PUMPS SUPPLIED BY OTHERS)

Tubing Installation

Detergent and rinse aid dispensers not provided by Hobart must have all connections sealed against leakage.

The AM16 Series dishwashers use 0.67 gallons of rinse water per rack at a flow rate of 4.02 gallons per minute. This information is used when setting the detergent and rinse aid pumps.

NOTE: All AM16 models utilize a pumped rinse system; pressure gauge is not required.

Detergent Dispenser

The dishwasher has three 7/8" diameter plugged holes; two on the rear upper tank side walls (one left side, one right side, Fig. 12) and one on the lower front part of the tank (Fig. 13). With the tank empty, remove both plugs to install the detergent dispenser.

- The upper tank holes are for installation of the detergent feeder tube (use left or right side location).
- The lower tank hole is used for installation of the detergent sensor.

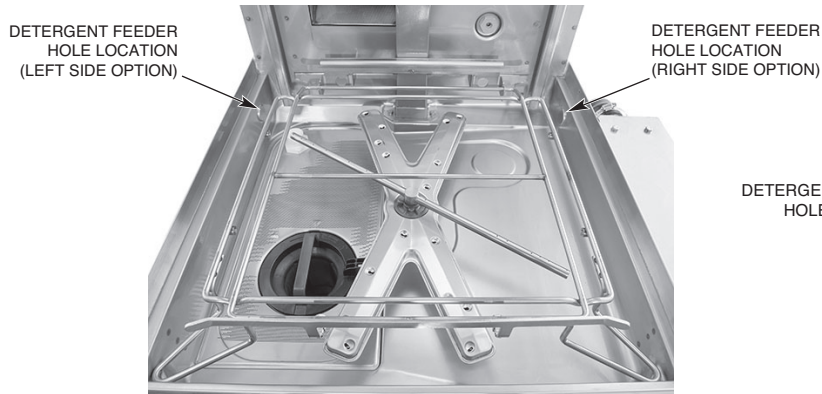


Fig. 12



Fig. 13

Rinse Aid Dispenser

Remove the 1/8" NPT plug (Fig. 14 for standard height units, Fig. 15 for tall units) for installation of the rinse aid dispenser tube.



Fig. 14



Fig. 15

DETERGENT AND RINSE AID DISPENSERS — EQUIPMENT CONNECTIONS

⚠ WARNING Electrical and grounding connections must comply with the applicable portions of the National Electrical Code, NFPA 70 (latest edition) and / or other local electrical codes.

⚠ WARNING Disconnect the electrical power to the machine (both dishwasher and booster if applicable) and follow lockout / tagout procedures. Be sure all circuits are disconnected.

This machine must be operated with an automatic detergent feeder including a visual means to verify that detergents are delivered or a visual or audible alarm to signal if detergents are not available for delivery to the respective washing and sanitizing systems. Refer to the installation section of this manual and to the chemical feeder equipment manual(s).

Detergent Dispenser

Terminals DPS1 and DPS2 (Fig. 16) are supplied with controlled machine line voltage. They are ON during the wash cycle and OFF between cycles, when machine is in delime cycle, or when the machine power supply is OFF. **Maximum rating for detergent dispenser connected to DPS1 and DPS2 is 1.5 amps at line voltage.** Check the machine supply voltage and use corresponding feeder transformer voltage. Use UL Listed 600 volt minimum insulated wire for the connections. Do not use bell wire, lamp cord or similar type wire. Splice connections, if required, must be made in the feeder transformer junction box (supplied by others) — not in the main controls enclosure. Use 7/8" diameter hole located at right rear corner of machine for 1/2" trade size conduit fitting. Remove the right side panel. Strain relief fittings must be provided for all wiring.

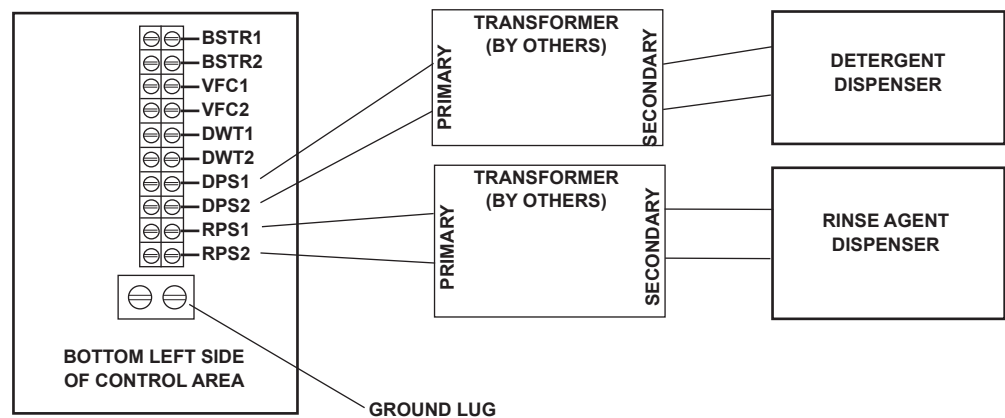


Fig. 16

Rinse Aid Dispenser

Terminals RPS1 and RPS2 (Fig. 16) are supplied with controlled machine line voltage. They are ON during the rinse cycle and OFF between cycles, when machine is in delime cycle, or when the machine power supply is OFF. **Maximum rating for rinse aid dispenser connected to RPS1 and RPS2 is 1.5 amps at line voltage.** Check the machine supply voltage and use corresponding feeder transformer voltage. Use UL Listed 600 volt minimum insulated wire for the connections. Do not use bell wire, lamp cord or similar type wire. Splice connections, if required, must be made in the feeder transformer junction box (supplied by others) — not in the main controls enclosure. Use 7/8" diameter hole located at right rear corner of machine for 1/2" trade size conduit fitting. Strain relief fittings must be provided for all wiring.

OPERATION

PREPARATION

The standpipe must be in its proper location below the strainer basket (Fig. 17). Place the strainer pan and the strainer basket in their proper positions (Fig. 18).



Fig. 17

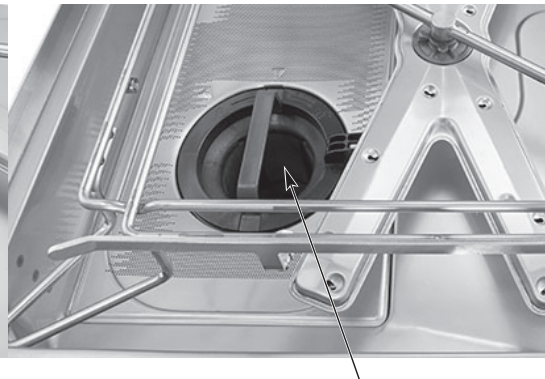


Fig. 18

NOTE: When installing the strainer basket, ensure the basket is in the 'locked' position (Fig. 19).



STRAINER BASKET IN UNLOCKED POSITION



STRAINER BASKET IN LOCKED POSITION

Fig. 19

If machine is equipped with ASR, ensure the external ASR scrap basket is properly installed in the ASR housing (Fig. 20).



Fig. 20

If machine is not equipped with Hobart built-in chemical pumps, an automatic detergent dispenser is required. Closely follow supplier's instructions.

Close the door. Press the POWER button to turn the power on (Fig. 21). If the machine's door is closed and no water is in the tank, the fill cycle will begin automatically. If water is detected in the tank, the machine will check the temperature of the water and if the water is cold, the machine will drain the water out prior to filling with fresh water. If the water is hot, the machine will proceed to heat the water to the wash tank temperature set point. During the fill cycle, the word FILLING is displayed along with an image of a bucket filling to show progress (Fig. 22).

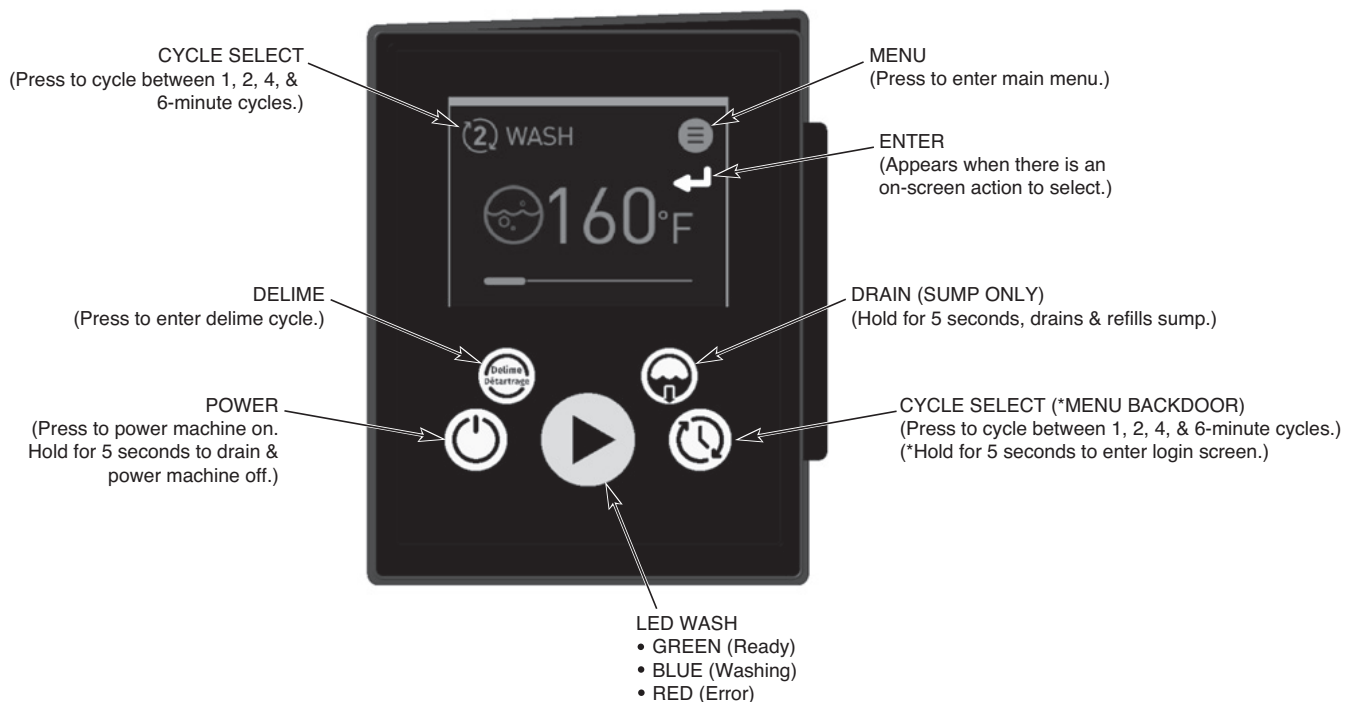


Fig. 21



Fig. 22

NOTE: On machines equipped with the energy recovery feature, it may take up to 20 minutes to complete the fill process.

When washing or in idle mode, the readout displays the wash temperature. During the rinse cycle, the rinse icon and temperature are displayed. Select the wash cycle: 1 for normal serving ware, 2, 4 or 6 for pots and pans. Each wash cycle is followed by an automatic rinse. When the rinse cycle is complete and the rinse icon turns off, the door can be opened.

For ventless models, the door must remain closed until the condensing cycle is complete. All ventless models include a lock to prevent the door from opening until the cycle is complete. A condensing progress bar is displayed during the condensing cycle. Failure to follow these instructions will result in excess steam and water vapor in the dish room.

DISHWASHING

Scrape the dishes to remove large particles of food and debris. Never use steel wool on ware to be loaded into the dishmachine.

Arrange the dishes in a rack. Do not stack dishes one on top of another, as water must have free access to all sides of every dish. Stand plates and dishes up edgewise in a peg-type rack (Fig. 23). Cups, glasses and bowls should be inverted in an open-type or compartment-type rack (Fig. 23). Silverware and other small pieces may be scattered loosely over the bottom of a flat bottom rack.

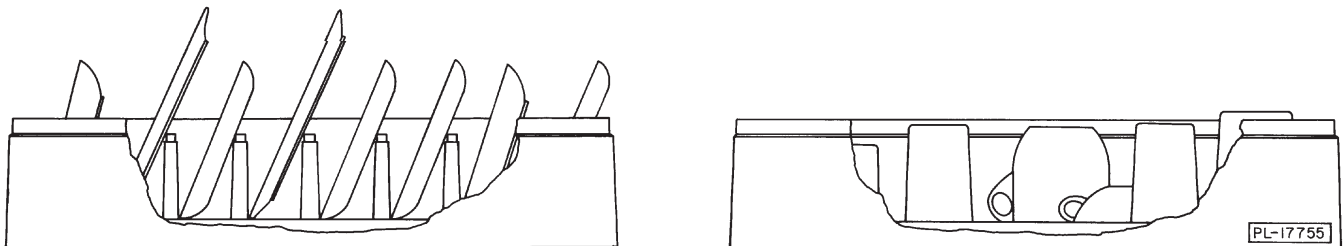


Fig. 23

Do not allow foreign objects to enter the unit, especially metallic contaminants.

After filling a rack, open the door, slide rack into the dishwasher and close the door.

Throughout the wash cycle, the tank water temperature is displayed on the front panel display, along with the word WASH and an icon. During the rinse cycle, the rinse water temperature is displayed, along with the word RINSE and an icon. When the rinse cycle is completed, the readout displays the tank water temperature.

On ventless models, a progress bar displays the remaining cycle time during the condense cycle.

When the display reads cycle complete, open the door, remove the clean dishes, slide in another rack and close the door.

This dish machine is not meant to be opened until a cycle has completed, but if a dish must be added after the wash cycle has started, open the door slowly, until the pump stops. Wait 10 seconds to allow the wash arm to coast down and to avoid water splashing before opening the door fully.

Operating temperatures for all models are as follows:

Sanitizing Mode	Wash Temperature Minimum Wash	Rinse Temperature Minimum Rinse
Hot Water	150°F (66°C)	180°F (82°C)
Chemical	120°F (49°C)	120°F (49°C)

For "VL" models only – If excessive amounts of steam or water vapor exit the machine after cycle is complete and door is opened, incoming cold water temperature may be too high. Contact Hobart Service to adjust the rinse and condense times according to the adjustment table shown below. Increasing cycle time will increase water consumption and decrease the racks per hour, but should reduce the steam and water vapor entering the dish room.

RECOMMENDED CONDENSE TIME (Based on Incoming Water Temp.)

AM16VL-BAS and AM16VL-ADV

Incoming Water Temp. °F (°C)	Condense Time (Sec.)	Rinse Time (Sec.)	Racks per Hour Base Ventless (1 min cycle)	Racks per Hour ADV (1 min cycle)
60 (16)	20	10	45	40
65 (18)	24	10	42	39
70 (21)	27	10	41	37
75 (24)	30	10	40	36
80 (27)	33	11	38	35
85+ (29+)	36	12	36	33

AM16VLT-BAS, AM16VLT-ADV and AM16SVLT

Incoming Water Temp. °F (°C)	Condense Time (Sec.)	Rinse Time (Sec.)	Racks per Hour Base Ventless (1 min cycle)	Racks per Hour ADV (1 min cycle)
60 (16)	30	10	40	36
65 (18)	33	11	38	35
70 (21)	36	12	36	33
75 (24)	39	13	35	32
80 (27)	42	14	33	31
85+ (29+)	45	15	32	30

For AM16SCB models only – Wash will not start if wash tank temperature is not up to 120°F (49°C) or if booster temperature is not up to 120°F (49°C). During this time, HEATING is shown on the display until wash and rinse temperatures reach 120°F (49°C). If the final rinse temperature does not reach 120°F (49°C), "Minimum final rinse temperature not reached. Machine locked" will be displayed along with "Error 084" and the machine will remain locked until it is drained and refilled.

If sanitizer supply is empty after 3 cycles, "Sanitizer is empty. Refill sanitizer. Machine is locked." will be displayed along with error code "Error 079" and the machine is inoperable. Replace sanitizer supply and press Enter to prime. Pump will prime for 20 seconds. If no chemical is sensed, press Enter again.

If detergent supply is empty, "Detergent is empty. Refill detergent. Machine is locked." will display along with error code "Error 077" and the machine is inoperable. Replace detergent supply and press Enter to prime. Pump will prime for 20 seconds. If no chemical is sensed, press Enter again.

For AM16SVLT models only – Wash will not start if the wash tank temperature is below 150°F (66°C). During this time, HEATING is shown on the display and the door will remain locked. If the machine fails to heat up, "Error 090" will be displayed and the machine will power down except for the display. After the wash cycle, if the booster temperature is below 181°F (83°C), the wash cycle will be extended up to 8 minutes before completing the rinse cycle. If the final rinse temperature does not reach 181°F (83°C), "Minimum final rinse temperature not reached. Machine locked" will be displayed along with "Error 084" and the machine will remain locked until it is drained and refilled.

If the detergent supply is empty after 3 consecutive cycles, "Detergent is empty. Refill detergent. Machine is locked." will be displayed along with error code "Error 077" and the machine is inoperable. Replenish the detergent supply and press Enter to prime. Pump will prime for 20 seconds. If no chemical is sensed, press Enter again.

CLEANING

The machine must be thoroughly cleaned at the end of each working shift or at least daily. Never use steel wool to clean warewasher surfaces. Use only products formulated to be safe on stainless steel.

1. Press the Power button for 5 seconds (until progress bar is complete). The machine will automatically drain.
2. Once the display has powered off, open the machine door.
3. Thoroughly cleanse and flush the dishwasher interior. Remove remaining soil with a soft cloth or brush and mild cleanser. Rinse again.
4. Remove and empty the strainer basket, pan and standpipe. Wash and rinse thoroughly.
5. Clean tank bottom. Do not allow food soil to accumulate on the tank bottom or to enter the drain.
6. Remove standpipe. Wash and rinse standpipe inside and out.
7. Ensure upper and lower wash and rinse arms (Figs. 24, 25) rotate freely and are free of any obstructions. If not, remove arms and clear out any obstructions. Refer to Maintenance, page 35.

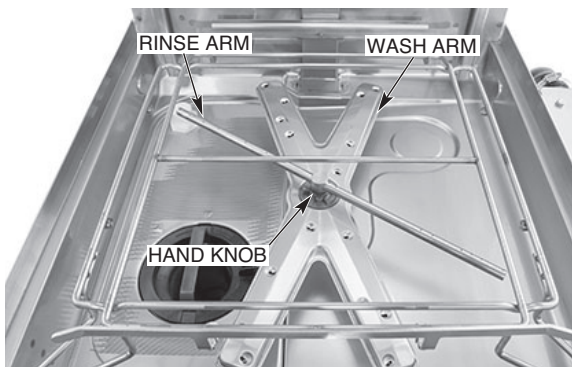


Fig. 24

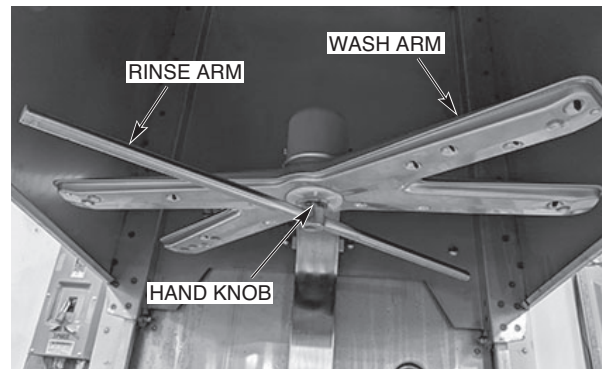


Fig. 25

NOTICE Do not bang wash arms or rinse arms to clean.

8. Press manual drain button (page 23, Fig. 21) until no water remains on tank bottom.
9. Replace all removed parts. Leave machine door open to allow interior to air out and dry.

DELIME INSTRUCTIONS

To enter delime cycle without notification, press the Delime button on the HMI. Delime button is active even while machine is shut down.

Manual Delime Process (Models AM16-BAS, AM16T-BAS, AM16VL-BAS, AM16VLT-BAS, AM16SCB and AM16VLSCB)

Machine will prompt operator when to delime based on a set number of cycles ran. When prompted, display will read 'Delime required. Start Delime Cycle?' If ready to delime, press either arrow button to highlight 'yes' and press the 'Enter' button. Press 'Enter' button on 'no' to delime machine later. If 'yes' is selected, proceed to Step 3 below. Start process at Step 1 if initiating manual delime process without the prompt.

1. Press the 'Delime' button.

2. Display will prompt 'Start Delime Cycle?'. Press either arrow button to highlight 'yes' and press the 'Enter' button.
3. Display will prompt 'Please Clean strainer'. Open machine door and remove strainer basket and strainer pan. Clean basket and pan in a sink with a mild detergent and rinse.
4. Replace strainer pan and strainer basket in machine and ensure basket is in the locked position (page 22, Fig. 19).
5. Close machine door and press the 'Enter' button. Machine will drain. Once machine has drained, the display will prompt 'Please insert delime'. Open machine door and pour required amount of delime chemical into wash tank according to chemical suppliers' recommendation for 10.5-gallon wash tank and close door.
6. Once door is closed, press the 'Enter' button. Tank will fill with fresh water. Once filled, the unit will begin a 10-minute wash cycle. Note: 'Enter' button will not appear on display until door is opened and closed.
7. After 10-minute wash cycle, machine will drain and re-fill with fresh water. Once filled, the unit will begin a 1-minute wash cycle to flush any remaining delime chemical residue.
8. After 1-minute wash cycle, the machine will drain and power down.

Auto Delime Process (Models AM16-ASR, AM16T-ASR, AM16VL-ADV, AM16VLT-ADV and AM16SVLT)

Machine will prompt operator when to delime based on water hardness and machine usage. When prompted, display will read 'Delime required. Start Delime Cycle?' If ready to delime, press either arrow button to highlight 'yes' and press the 'Enter' button. Press 'Enter' button on 'no' to delime machine later. If 'yes' is selected, proceed to Step 3 below. Start process at Step 1 if initiating auto delime process without the prompt.

NOTE: Machine will automatically pump delime solution into dish machine during auto delime cycle. Ensure sufficient chemical is present in bottle and standpipe is fully inserted into bottle.

1. Press the 'Delime' button.
2. Display will prompt 'Start Delime Cycle?'. Press either arrow button to highlight 'yes' and press the 'Enter' button.
3. Display will prompt 'Please Clean strainer'. Open machine door and remove strainer basket and strainer pan. Clean basket and pan in a sink with a mild detergent and rinse.
4. Replace strainer pan and strainer basket in machine and ensure basket is in the locked position (page 22, Fig. 19).
5. Close machine door and press the 'Enter' button. Machine will drain. Once machine has drained, machine will begin to re-fill with fresh water and automatically add delime solution as the unit fills.
6. Once unit has filled and delime solution has been added, the unit will begin a 10-minute wash cycle.
7. After 10-minute wash cycle, machine will drain and re-fill with fresh water. Once filled, the unit will begin a 1-minute wash cycle to flush any remaining delime chemical residue.
8. After 1-minute wash cycle, the machine will drain and power down.

DOS AND DON'TS FOR YOUR NEW HOBART WAREWASHER

DO assure proper water hardness (3 grains or less per gallon is recommended).

DO pre-scrap dishes thoroughly.

DO use only detergents recommended by your chemical professional.

DO at the end of the day, thoroughly cleanse the machine, rinse and dry (leave door open).

DO closely follow your chemical professional's prescribed deliming schedule.

DO use only products formulated to be safe on stainless steel.

DO NOT use detergents formulated for residential dishwashers.

DO NOT allow food soil to accumulate on the tank bottom.

DO NOT exceed chemical manufacturer's recommended concentrations for detergent, sanitizer, rinse aid or lime scale remover.

DO NOT use steel wool to clean ware or warewasher surfaces.

DO NOT allow foreign objects to enter the unit, especially metallic contaminants such as paper clips, retainers, etc.

NOTE: Failure to follow use, care and maintenance instructions may void your Hobart warewasher warranty.

PROGRAMMING

MANAGER MENU

The AM16 dish machines allow customization options for machine operation. To activate or change these features, enter the Manager Menu using the following procedure.

1. Power on dishwasher. Display shows ready screen when fill cycle has completed.
2. Press 'Menu' button.
3. With Manager Menu highlighted, press the 'Enter' button. The 'Enter PIN' screen will be displayed.
4. The default manager code is 1001. Use the arrow buttons to change the value and then press the 'Enter' button to select the value and toggle to the next digit until the code is entered.
5. Use the Up and Down Arrows to toggle thru the Manager Menu.
 - a. Once the desired selection is outlined, press the Enter button.
 - b. For selections that are editable, use the Up and Down arrows to change the value.
 - c. Once the required value is displayed, press the 'Enter' button to save the selection.
6. To exit the programming, use the Up and Down arrows to scroll thru the parameters until 'back' is outlined and press the 'Enter' button. Repeat this procedure until the Ready screen is displayed.

MANAGER MENU PARAMETERS

Parameter Name	Description	Possible Values	Default Value
MACHINE SETTINGS			
Language	Sets the language for machine display.	English, French, Spanish, etc.	English
Date	Sets the current day, month, year.		
Time	Selects the current time (hours & minutes). Time can also be updated to 24h format.		
Temperature Units	Sets the temperature displays to Fahrenheit or Celsius.	Fahrenheit or Celsius	Fahrenheit
DISPLAY SETTINGS			
Brightness	Increases or decreases the brightness of the machine display screen.		
MACHINE ALARM			
Machine Alarm	Enables or disables an end of cycle audible alarm.	Enable or Disable	Enable

Parameter Name	Description	Possible Values	Default Value
CHEMICAL MENU			
Rinse Aid Concentration	Sets the rinse aid chemical concentration level.	0.0 ml/L - 2.0 ml/L	1.1 ml/L
Detergent Concentration	Sets the detergent chemical concentration level.	0.0 ml/L - 9.5 ml/L	2.5 ml/L
Prime Chemical Pumps	Refer to Chemical Pump Priming, page 18.		
Sanitizer Dosing	Sets the sanitizer chemical concentration level.	0% - 100%	11%
Delime Concentration	Sets the delime chemical concentration level based on % delimer in solution with sump & booster tank water.	Low (1.25%) Medium (1.89%) High (3.77%)	Low (1.25%)
WATER HARDNESS			
Water Hardness	Sets the water supply water hardness.	0 gr/gal - 250 gr/gal	7 gr/gal
MACHINE CYCLE LOG			
Show Cycle Information	Displays date and time of previous cycles.		
AUTOMATIC START *			
Enable/Disable	Allows the automatic start feature to be disabled or enabled.	Enable or Disable	Disable
Settings	Sets the automatic start day of week and time. If feature is enabled, machine will automatically power on and fill at day and time set.		
WiFi			
Enable/Disable	Enables or disables WiFi connectivity.	Enable or Disable	Disable
Status	Displays the current WiFi connection status of the machine.		
Connection Assistant	Guided connection to WiFi network.	<ul style="list-style-type: none"> • Search Network • WPS • Add Network 	
Access Code	Generates an access code that can be used to pair the machine to the SmartConnect App.		
Connection Test	Tests the WiFi connection with the machine to confirm WiFi connectivity.		
Manual Installation	Allows connectivity to a hidden network.	<ul style="list-style-type: none"> • Search Network • WPS • Add Network 	
Mobile Connection Assistant	Pairs machine to Wifi through SmartConnect app.	No or Yes	

Parameter Name	Description	Possible Values	Default Value
CYCLES UNTIL DELIME NOTIFICATION (ONLY APPLIES TO AM16(T)-BAS, AM16VL(T)-BAS, AM16SCB & AM16VLSCB MODELS)			
Cycles Until Delime Notification	Displays remaining cycles until delime reminder notification is displayed.		
Set Counter	Sets the number of cycles until the delime reminder notification is displayed.	0-999999	2000
DELAY WASH PROGRAM			
Enable/Disable	Enables or disables wash tank temperature delay. If enabled, wash cycle will be delayed until minimum wash temperature is reached. Display will show 'Heating' until temperature is reached.	Enable or Disable	Disable (Enable for SVLT & SCB models)
RINSE TEMPERATURE ALERT			
Disabled	Disables low rinse temperature alert.		
Notification	Enables low rinse temperature alert. After set number of cycles (default 3) below minimum rinse temperature requirement, display will show rinse temperature alert warning. Machine will continue to function as normal.		
Lockout Machine	Enables low rinse temperature lockout. After set number of cycles (default 3) below minimum rinse temperature requirement, display will show rinse temperature alert warning. Machine will lockout and unit will be inoperable.		
Repeat Cycle	After set number of cycles (default 3) below minimum rinse temperature requirement, machine will automatically repeat wash and rinse cycles.		
STRAINER MONITORING			
Strainer Monitoring	Detects if sump strainer is in place through error or warning. If set to Error Message, unit is inoperable until strainer is properly installed. If set to Warning, press Enter to continue with normal machine operation.	Error Message Or Warning	Error Message

* **NOTE:** When enabling Automatic Start feature, machine will power on and fill while unattended. Prior to using this feature, ensure all machine panels and components are in place and that all facility connections to the machine (i.e.: water, drain, electric) are in working order.

HOBART SMARTCONNECT APP

Thanks to built-in WiFi, you can connect your AM16 commercial dishwasher to our easy-to-use smart phone app. With the free Hobart SmartConnect app, you can create better procedures and enhance performance in the dishroom by monitoring sanitization and analyzing usage, consumption and costs. **NOTE:** For 240-volt, 380-volt and 440-volt supplies, contact Hobart Service to adjust the power value in the service settings for accurate energy consumption values.

Getting Connected

Registering an Account

1. Open the app and tap on **Register**.
2. Enter your email and tap **Send Verification Code**. Then enter the code you receive to your email.
3. Provide the remaining information, including a password.
4. Tap **Create**.
5. Read and agree to the End User License Agreement and Privacy Policy. Tap **Confirm** when you are done.

You can now use the app to connect to WiFi and pair your machine.

Connecting the AM16 to WiFi from the SmartConnect App

1. Tap on the “Hamburger Menu Icon”, then tap on the “**WiFi**” button.
2. Tap on “**Connect**” for Hobart.
3. Follow the guide in the app to prepare the machine for connection.
4. Tap on “**Confirm Instructions**” and tap “**Yes**” if the machine is ready for connection.
5. The machine will generate a code; enter this into the app and it will connect with the machine.
6. A list of available networks will be displayed. Select the network you want to connect with and enter the network password if necessary.
7. When the WiFi connection is successful, the machine will indicate success and display an access code to pair with the app.
8. From the main screen of the app, tap on the hamburger menu icon, then tap on the “+” button and enter the access code to pair.

Connecting the AM16 to WiFi from the Machine

1. Tap on the “Hamburger Menu Icon”, select “**Manager Menu**” and enter your pin.
2. Scroll and tap the “**Enter**” button to select “**WiFi**”.
3. Scroll and select “**Connection Assistant**”.
4. Scroll and select “**Search Network**”.
5. Scroll and select the available network you wish to connect to.
6. Enter the password for your network, then tap “**OK**”.
7. The machine will connect to your network, transfer data to the SmartConnect Cloud and display a connection code for the app.

If your machine won't connect to the WiFi, go to our FAQs at www.itwfoodequipment.com/smartconnect365/help to troubleshoot your connection.

To Pair and Add your AM16 to the App

Before pairing, make sure your machine is connected to WiFi using the previous steps. To pair your Hobart AM16 to the SmartConnect App:

From the Dishmachine

1. Tap the menu icon to enter the manager menu on your dishmachine.
2. Select “**Manager Menu**” and enter your pin.
3. Scroll and select “**WiFi**”.
4. Scroll and select “**Access Code**”.
5. An activation code will be generated and displayed. This code is valid for 48 hours.

From the App

1. Tap on the “+” button at the bottom of the machine list.
2. Enter the activation code found in the manager menu of the machine’s touchscreen, then tap **Submit**.
3. Select your service provider from the drop-down menu.
4. Tap **Finish**.

Your machine will now appear in the machine list on the home screen of the app.

For more information about SmartConnect, including usage instructions, troubleshooting for your WiFi connection and other general questions, visit the SmartConnect Help and FAQ guide at www.itwfoodequipment.com/smartconnect365/help.

MAINTENANCE

⚠ WARNING Disconnect the electrical power to the machine (both dishwasher and booster if applicable) and follow lockout / tagout procedures. Be sure all circuits are disconnected.

WASH ARMS

Upper and lower wash and rinse arms (page 27, Figs. 24, 25) should turn freely and continue turning for a few seconds after being rotated by hand. Remove any obstructions causing improper operation.

If either the strainer pan or the strainer basket is not properly in place, obstructions (such as food particles or bones) may clog the wash arm nozzles. The wash arms are easily removed for cleaning.

To remove the lower wash arm, unscrew the hand knob and lift the rinse arm off (Fig. 24). The wash arm can be lifted off once the rinse arm is removed.

The upper wash and rinse arms are removed by unscrewing the hand knob (Fig. 25) and lowering both arms together. Be careful not to drop the arms.

MOTOR(S)

The wash pump motor, rinse pump motor, drain pump motor and fan motor ("VL" models only) are equipped with permanently lubricated bearings and require no lubrication maintenance.

CHEMICAL PUMPS

If unit has built-in Hobart chemical pumps, inspect chemical tubes every 6 months and replace as required. Also inspect chemical bottle caps and standpipes to ensure they are not cracked or worn.

CLEANING BAFFLES ON AM16VLT-BAS, AM16VLT-ADV AND AM16SVLT MODELS

The baffles (upper and lower), located on the back wall of the inside of the machine (Fig. 26), should be cleaned every 6 months or sooner if required.

⚠ WARNING Disconnect the electrical power to the machine (both dishwasher and booster if applicable) and follow lockout/tagout procedures. Be sure all circuits are disconnected.

1. Loosen and remove the nuts from each baffle and remove the baffles.
2. Debris may collect on surfaces of baffles and should be washed in a sink with a mild detergent and rinsed.
3. Replace baffles using nuts removed in Step 1.
4. Leave machine door open to allow interior to air out and dry.

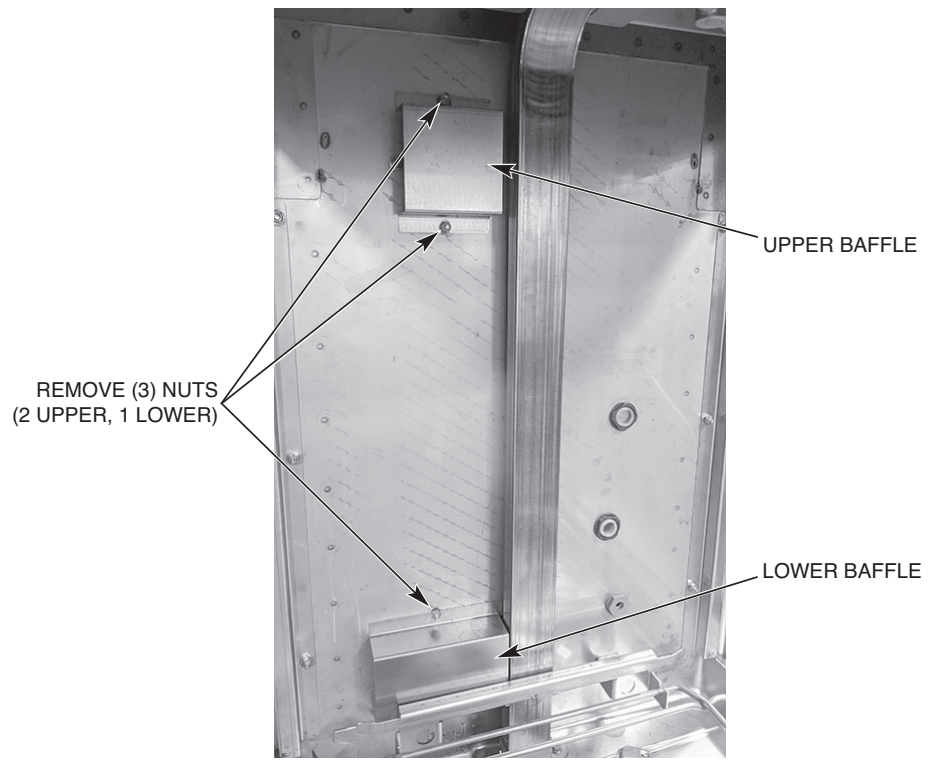


Fig. 26

TROUBLESHOOTING

ERROR CODE CHART WITH POSSIBLE SOLUTIONS

Error No.	Text On Screen	Error Description	Troubleshooting
001	Booster temperature error.	The booster temperature is 239°F/115°C or greater.	Press and hold the power button for 5 seconds to clear the error. The machine will drain and power off. If the error persists, contact Hobart Service.
002	Booster temperature error.	The booster temperature is 32°F/0°C or lower.	Press and hold the power button for 5 seconds to clear the error. The machine will drain and power off. If the error persists, contact Hobart Service.
003	Booster temperature not reached during fill cycle.	During the fill cycle, the booster temperature did not meet the setpoint within the predetermined time.	Press the ENTER button to clear the error. If the error persists, contact Hobart Service.
004	Booster temperature not reached during wash cycle.	During the wash cycle, the booster temperature did not meet the setpoint within the predetermined time.	Press the ENTER button to clear the error. If the error persists, contact Hobart Service.
006	Wash temperature error.	The wash tank temperature is 239°F/115°C or greater.	Press and hold the power button for 5 seconds to clear the error. The machine will drain and power off. If the error persists, contact Hobart Service.
007	Wash temperature error.	The wash tank temperature is 32°F/0°C or lower.	Press and hold the power button for 5 seconds to clear the error. The machine will drain and power off. If the error persists, contact Hobart Service.
008	Wash tank temperature not reached during fill cycle.	During the fill cycle, the wash tank temperature did not meet the setpoint within the predetermined time.	Press the ENTER button to clear the error. If the error persists, contact Hobart Service.
009	Wash tank temperature not reached during wash cycle.	During the wash cycle, the wash tank temperature did not meet the setpoint within the predetermined time.	Press the ENTER button to clear the error. If the error persists, contact Hobart Service.
014	Booster pressure sensor failure.	The maximum booster water level has been exceeded. The machine will not run.	Press and hold the power button for 5 seconds to clear the error. The machine will drain and power off. If the error persists, contact Hobart Service.
015	Booster pressure sensor failure.	The minimum booster water level has not been reached. The machine will not run.	Press and hold the power button for 5 seconds to clear the error. The machine will drain and power off. If the error persists, contact Hobart Service.
016	Wash tank pressure sensor failure.	The maximum wash tank water level has been exceeded. The machine will not run.	Press and hold the power button for 5 seconds to clear the error. The machine will drain and power off. If the error persists, contact Hobart Service.
017	Wash tank pressure sensor failure.	The minimum wash tank water level has not been reached. The machine will not run.	Press and hold the power button for 5 seconds to clear the error. The machine will drain and power off. If the error persists, contact Hobart Service.

Error No.	Text On Screen	Error Description	Troubleshooting
018	Wash tank water level is too high.	Wash tank water level is above the upper limit.	Press the ENTER button if displayed to clear the error. If the ENTER button does not display, press and hold the power button for 5 seconds. Machine will drain and power off. If the error persists, contact Hobart Service.
019	Tank strainer blocked. Remove strainer, clean and put back in place.	Tank strainer pan is blocked.	Remove, clean and replace strainer pan. Press the ENTER button to clear the error. The machine will drain and power down if the water level is low. If the water level has returned to normal, the machine will power off, but not drain. Power machine on to continue operation.
020	Wash tank pressure sensor error. Drain and restart machine.	The wash tank water level did not increase by the anticipated amount after being filled by the rinse cycle.	Press the ENTER button to clear the error. The machine will drain and clear the error. Ensure tank is clean. If the error persists, contact Hobart Service.
021	Drain hose is clogged. Clean drain hose and drain machine again.	Significant water remains in wash tank after drain cycle.	Ensure power to machine is off and wash water has cooled. Verify standpipe and bottom of wash tank are free of debris. Clean the drain hose and drain the machine. Ensure drain hose is not kinked and installed properly. If error remains on screen, press and hold the power button for 5 seconds to clear the error. Machine will drain and power down.
022	Drain hose is clogged. Clean drain hose.	During wash cycle, water level not maintained at normal level.	Ensure power to machine is off and wash water has cooled. Verify standpipe and bottom of wash tank are free of debris. Clean the drain hose and drain the machine. Ensure drain hose is not kinked and installed properly. If error remains on screen, press the ENTER button to clear the error.
023	Fill system timeout, inspect incoming water line.	The fill valve has been active for more than the maximum allowed fill time, and the wash tank water level has not been reached. This error will only occur if unit is equipped with rapid fill.	Ensure incoming water supply is turned on and that fill hose is not kinked. Verify water pressure is 15 - 65 psi. Press the ENTER button to clear the error. If the error persists, contact Hobart Service.
029	Program interrupted. Close door.	Door is opened during machine operation.	Close the door and ensure door is fully seated. The current operation resumes. If the error persists, contact Hobart Service.
032	Fill error, inspect incoming water line.	The booster water level did not reach the proper level within the set amount of time.	Ensure incoming water supply is turned on and that fill hose is not kinked. Verify water pressure is 15 - 65 psi. Press the ENTER button to clear the error. If the error persists, contact Hobart Service.

Error No.	Text On Screen	Error Description	Troubleshooting
033	Fill valve error.	The fill valve has been active for more than the maximum allowed fill time.	Ensure incoming water supply is turned on and that fill hose is not kinked. Verify water pressure is 15 - 65 psi. Press the ENTER button to clear the error. If the error persists, turn water supply off and contact Hobart Service.
035	Ensure tank strainer is locked in place.	The internal scrap basket is not inserted, or it is not in the locked position.	Ensure scrap basket is properly installed and in the locked position. The arrow on the scrap basket should line up with the arrow on the strainer pan. If installed properly, the error will clear automatically. (Refer to page 22, Fig. 19.)
038	Incoming power to machine is too high. Machine has powered down.	The incoming voltage is higher than the maximum required machine voltage.	The incoming voltage must be at or below the required machine voltage (see machine data plate). Turn circuit breaker supply off and ensure unit is connected with proper voltage supply. Press Enter to clear error.
039	Fill cycle interrupted. Close door.	Door is opened during the fill cycle.	Close the door and ensure door is fully seated. The fill cycle resumes. If the error persists, contact Hobart Service.
049	Communication between the controls has been interrupted.	Interruption of communication between control board and touchscreen display.	Communication between the controls should be automatically restored. If the problem persists, contact Hobart Service.
052	Drain hose is clogged.	Wash tank water level is above the upper limit.	Ensure power to machine is off and wash water has cooled. Verify standpipe and bottom of wash tank are free of debris. Clean the drain hose and drain the machine. Ensure drain hose is not kinked and installed properly. If error remains on screen, press and hold the power button for 5 seconds to clear the error. Machine will drain and power down.
054	ASR strainer basket not detected. Place ASR strainer basket in ASR box.	The ASR basket is not detected.	Ensure the ASR strainer basket is properly installed. If installed properly, the error will clear automatically. To run machine without ASR, press the ENTER button to acknowledge the error for one cycle. If the error persists, contact Hobart Service.
057	Wash tank is filling. Cycle will begin when water is replenished.	Wash tank water level is low at start of wash cycle.	Machine automatically fills while error is displayed. Once proper water level is reached, wash cycle will begin.
059	Cloud connection not available.	WiFi is connected, data cannot be sent to the cloud.	Tap on HELP in Smart Connect app and refer to the troubleshooting in the FAQ's for guidance.
070	Minimum wash temperature not reached.	The wash temperature did not reach the minimum set point requirement.	Press the ENTER button to clear the error. If the error persists, contact Hobart Service.
071	Minimum rinse temperature not reached.	The rinse temperature did not reach the minimum set point requirement.	Press the ENTER button to clear the error. If the error persists, contact Hobart Service.

Error No.	Text On Screen	Error Description	Troubleshooting
074	Detergent empty. Refill detergent.	The detergent has not been sensed for the set number of consecutive cycles.	Ensure detergent is present in bottle and that cap & tube are properly secured to bottle. Replace detergent bottle if empty. Press the ENTER button to prime the detergent pump. Repeat as required.
075	Rinse aid empty. Refill rinse aid.	The rinse aid has not been sensed for the set number of consecutive cycles.	Ensure rinse aid is present in bottle and that cap & tube are properly secured to bottle. Replace rinse aid bottle if empty. Press the ENTER button to prime the rinse aid pump. Repeat as required.
076	Sanitizer empty. Refill sanitizer.	The sanitizer has not been sensed for the set number of consecutive cycles.	Ensure sanitizer is present in bottle and that cap & tube are properly secured to bottle. Replace sanitizer bottle if empty. Press the ENTER button to prime the sanitizer pump. Repeat as required.
077	Detergent empty. Machine locked.	Detergent has not been sensed for three consecutive cycles.. The machine will be locked out until detergent is replaced.	Ensure detergent is present in bottle and that cap & tube are properly secured to bottle. Replace detergent bottle if empty. Press the ENTER button to prime the detergent pump. Repeat as required.
079	Sanitizer empty. Machine locked.	Sanitizer has not been sensed for three consecutive cycles. The machine will be locked out until detergent is replaced.	Ensure sanitizer is present in bottle and that cap & tube are properly secured to bottle. Replace sanitizer bottle if empty. Press the ENTER button to prime the sanitizer pump. Repeat as required.
080	Delime required. Run delime cycle.	If delime lockout is enabled, machine will lock out due to delime reminder being ignored 10 times.	Press the ENTER button and run a delime cycle to reset the delime reminder.
081	Final rinse temperature too high.	Final rinse temperature is 239°F/115°C or greater.	Press and hold the power button for 5 seconds to clear the error. The machine will drain and power off. If the error persists, contact Hobart Service.
082	Final rinse temperature too low.	Final rinse temperature is 32°F/0°C or lower.	Press and hold the power button for 5 seconds to clear the error. The machine will drain and power off. If the error persists, contact Hobart Service.
083	Minimum final rinse temperature not reached.	The final rinse temperature did not reach minimum final rinse temperature after three consecutive cycles.	Press the ENTER button to clear the error. If the error persists, contact Hobart Service.
084	Minimum final rinse temperature not reached. Machine locked.	If final rinse lockout is enabled and the final rinse temperature did not reach minimum final rinse temperature after three consecutive cycles, the machine will lock out.	Press and hold the power button for 5 seconds to clear the error. The machine will drain and power off. If the error persists, contact Hobart Service.

Error No.	Text On Screen	Error Description	Troubleshooting
085	Wash tank overtemp tripped.	Wash tank overtemp has been tripped.	Error cannot be cleared until overtemp has been reset. Contact Hobart Service.
086	Booster overtemp tripped.	Booster overtemp has been tripped.	Error cannot be cleared until overtemp has been reset. Contact Hobart Service.
087	Minimum final rinse temperature not reached after repeating cycle.	The final rinse temperature is less than the set point.	Press and hold the power button for 5 seconds to clear the error. The machine will drain and power off. If the error persists, contact Hobart Service.
088	Wash tank heater contactor error. Contact service.	Wash tank heater remains on while ignoring software command to turn off.	Machine is running a fill and drain cycle to protect the heater. This error is not user serviceable. Turn circuit breaker supply off and contact Hobart Service.
089	Booster heater contactor error. Contact service.	Booster heater remains on while ignoring software command to turn off.	Machine is running a fill and drain cycle to protect the heater. This error is not user serviceable. Turn circuit breaker supply off and contact Hobart Service.
090	Temperature not reached. Drain and restart machine. If necessary contact service technician.	The wash temperature did not reach the minimum set point requirement within time out period (SCB and SVLT models only).	Press and hold the power button for 5 seconds to clear the error. The machine will drain and power off. If the error persists, contact Hobart Service.

COMMUNICATION MODULE

For AM16SCB models equipped with the sPod® embedded communication module, the unit will automatically connect to a SiteSage® gateway and begin transmitting relevant data for remote monitoring at start-up. If problems arise, contact the support group for your communication system supplier.

SYMPTOM	POSSIBLE CAUSE
No machine operation.	<ol style="list-style-type: none"> 1. Machine off, turn machine on. 2. Blown fuse or tripped circuit breaker at power supply.
Dishes not clean.	<ol style="list-style-type: none"> 1. Loss of water pressure due to pump obstruction. ⚠ WARNING Disconnect electrical power supply (both dishwasher and booster if applicable) and drain tank. Remove strainer and standpipe and check pump & drain intake for obstruction. 2. Incorrect water temperature. Contact Service for adjustment or repair. 3. Excessive mineral deposits throughout wash and rinse system. Deliming may be necessary, refer to page 27. 4. Check wash and rinse arms to ensure there are no obstructions and ensure they rotate properly. 5. Strainers clogged causing inadequate water supply to pump; clean machine according to Cleaning, page 27. 6. Ensure chemical dispenser is operating properly. 7. Excessive soil; scrap dishes before cycle 8. Improper rack loading; refer to Preparation and Dishwashing, pages 22, 24.

SYMPTOM	POSSIBLE CAUSE
Spotting silverware, glasses and dishes.	<ol style="list-style-type: none"> 1. Improperly loaded racks. 2. Incorrect rinse water temperature. 3. Loss of water pressure due to pump obstruction. <p>⚠ WARNING Disconnect electrical power supply (both dishwasher and booster if applicable) and drain tank. Check for any obstruction at the pump intake.</p> <ol style="list-style-type: none"> 4. Excessively hard water. 5. Incorrect detergent for water type. 6. Incorrect rinse additive for water type. 7. Incorrect concentration of detergent, rinse additive and/or sanitizer. 8. Excessive soil; scrap dishes before cycle. Ensure wash tank is drained and cleaned as required.
Excessive steam or water vapor after cycle is complete – AM16VL-BAS, AM16VLT-BAS, AM16VL-ADV, AM16VLT-ADV and AM16SVLT models only.	<ol style="list-style-type: none"> 1. Incoming cold water too warm. Contact Hobart Service for adjustment of condensing cycle time.
Inadequate rinse or rinse water temperature too low.	<ol style="list-style-type: none"> 1. Excessive mineral deposits throughout wash and rinse system. Deliming may be necessary, refer to page 27. 2. For non-ventless hot machines, incoming water temperature to booster below 110°F. For ventless machines, incoming water temperature to machine below 55°F. Machine will automatically extend wash time until booster heats up. 3. Ensure rinse arms rotate freely.
Leaking valve.	<ol style="list-style-type: none"> 1. If hose connection at valve is leaking, check hose gasket to ensure it is seated properly and not worn or cut. 2. If solenoid valve is malfunctioning (leaking, not opening or not closing), contact Hobart Service.
Low/no wash tank heat.	<ol style="list-style-type: none"> 1. Ensure sufficient water level in tank. 2. Ensure heating element is clean and free of excessive lime scale.
No or slow fill.	<p>Note: Fill time could be as high as 25 minutes.</p> <ol style="list-style-type: none"> 1. Water supply may be off; make sure hot water supply valve is open. 2. Dirty strainer at fill hose connection causing reduced water flow. Turn off hot water supply, remove fill hose and clean screen. Reassemble.
ASR overflowing (if machine is equipped with ASR)	<ol style="list-style-type: none"> 1. Ensure drain line is not clogged. 2. Ensure ASR basket is clean and properly installed.
Not dispensing chemicals (on machines equipped with Hobart chemical pumps).	<ol style="list-style-type: none"> 1. Ensure chemical bottles are full. 2. Ensure chemical bottle caps are properly secured. 3. Inspect tubing and ensure it is tight to bottle caps. 4. Ensure tubes are not bent or kinked. 5. Ensure standpipe and tubing are seated fully into the chemical bottle. 6. Manually prime chemicals. If unsuccessful, contact Hobart Service.

SERVICE

AM16 EXPENDABLE PARTS

The below AM16 dish machine parts are expendable by nature and may not be covered by Hobart Product Warranty. To view the Hobart Product Warranty, refer to <https://www.hobartservice.com/service-plans/hobart-product-warranty>.

AM16 EXPENDABLE PARTS LIST

Part Number	Description	Qty.	Machine Type
00-443581	USB plug	1	All
00-918049	Lift arm plug	2	All
00-893834	Seal, top cover, tall AM	3	Tall
00-975055	Hub, wash arm	2	All
00-886610	Kit, wash arm plug	1	All
00-562078	Retaining ring	2	All
00-185112	Standpipe (delime)	1	Advansys / ASR
00-185105-00029	Tubing, black, 144"	1	Advansys / ASR
00-13156-00001	Clamp (spring action hose)	AR	Advansys / ASR
00-949651-00001	Squeeze tube kit, chemical pump (sanitizer, rinse aid, detergent) (Includes hose clamps)	3	SCB / SVLT
00-185105-00002	Tubing, red, 144", 1/4"	1	SCB
00-185105-00006	Tubing, blue, 144", 1/4"	1	SCB
00-185105-00004	Tubing, clear, 144", 1/4"	1	SCB
00-185105-00013	Tubing, clear, 6"	2	SCB
00-185105-00024	Tubing, clear, 66"	1	SCB
00-562915	Kit, replacement chemical cap	1	SCB
00-975024	Assembly, suction strainer	AR	SCB
00-185111-00001	Clamp #2	AR	SCB
00-463293	Tube, sight	1	SVLT
00-185111-00002	Clamp, hose 7/16"	AR	SVLT
00-474800	Rack, 6-pan	AR	Tall
00-315191	Peg rack	AR	All
00-315193	Combination rack	AR	All

Contact your local Hobart-authorized service office for any repairs or adjustments needed on this equipment. Long-term service contracts are available on this and other Hobart products. Call 1-888-4HOBART for Hobart Service 24 hours a day.

INSTRUCTIONS
MODELS
INSTRUCTIONS
EMPLOYEES
INSTRUCTIONS

LAVE-VAISSELLE AM16



MODÈLES

AM16 - BAS
AM16T - BAS

AM16VL - BAS
AM16VLT - BAS

AM16 - ASR
AM16T - ASR

AM16VL - ADV
AM16VLT - ADV

AM16SVLT

AM16SCB

AM16VLSCB



701 S. RIDGE AVENUE
TROY, OHIO 45374-0001

937 332-3000

www.hobartcorp.com

FORM 41173 (Novembre 2021)

Modèle AM16-BAS



Modèle AM16T-BAS



Modèle AM16VL-BAS



Modèle AM16VLT-BAS



Modèle AM16-ASR



Modèle AM16T-ASR



Modèle AM16VL-ADV



Modèle AM16VLT-ADV



Modèle AM16SCB



TABLE DES MATIÈRES

GÉNÉRAL.....	4
INSTALLATION.....	5
Déballage.....	5
Codes d'installation.....	5
Emplacement.....	6
Installation en angle.....	7
Raccords de plomberie.....	8
Besoins en eau.....	8
Connexion de l'alimentation en eau.....	9
Raccord de vidange.....	10
Exigences de ventilation.....	11
Calculs du taux de circulation d'air.....	11
Tableau A : Dissipation thermique.....	12
Raccords électriques.....	12
Réglage de la tension (machines de 380 à 415 V uniquement).....	14
Rotation du moteur (machines de 480 V et 50 Hz uniquement).....	14
Connexions de l'équipement.....	15
Commande du ventilateur du conduit d'aération.....	15
Installation des distributeurs de détergent, de produit de rinçage et d'agent assainissant fournis par Hobart.....	15
Programmation des pompes chimiques (pour les machines équipées de pompes chimiques Hobart).....	15
Amorçage des pompes chimiques.....	19
Test des agents assainissants (machines d'assainissement aux produits chimiques).....	19
Distributeurs de détergent et de produit de rinçage (pour les machines équipées de pompes chimiques fournies par des tiers).....	20
Installation des tubes.....	20
Distributeur de détergent.....	20
Distributeur de produit de rinçage.....	20
Distributeurs de détergent et de produit de rinçage – connexions de l'équipement.....	21
Distributeur de détergent.....	21
Distributeur de produit de rinçage.....	22
UTILISATION.....	23
Préparation.....	23
Lave-vaisselle.....	25
Temps de condensation recommandé (basé sur la température de l'eau entrante).....	26
NETTOYAGE.....	28
Instructions de détartrage.....	28
Processus de détartrage manuel (modèles AM16-BAS, AM16T-BAS, AM16VL-BAS, AM16VLT-BAS, AM16SCB et AM16VLSCB).....	28
Processus de détartrage automatique (modèles AM16-ASR, AM16T-ASR, AM16VL-ADV, AM16VLT-ADV et AM16SVLT).....	29
Choses à faire et à ne pas faire en ce qui concerne votre nouveau lave-vaisselle Hobart.....	30
PROGRAMMATION.....	31
Menu de gestion.....	31
Paramètres du menu de gestion.....	31
Application Hobart SmartConnect.....	35
Se connecter.....	35
ENTRETIEN.....	37
Bras de lavage.....	37
Moteur(s).....	37
Pompes chimiques.....	37
Nettoyage des déflecteurs sur les modèles AM16VLT-BAS, AM16VLT-ADV et AM16SVLT.....	37
PROBLÈMES ET SOLUTIONS.....	39
Tableau des codes d'erreur avec solutions possibles.....	39
Module de communication.....	45
SERVICE.....	47
Pièces consommables de l'AM16.....	47

Installation, fonctionnement et entretien

LAVE-VAISSELLE AM16

CONSERVEZ CES INSTRUCTIONS

GÉNÉRAL

Les modèles de lave-vaisselle AM16-BAS, AM16T-BAS, AM16VL-BAS, AM16VLT-BAS, AM16-ASR, AM16T-ASR, AM16VL-ADV, AM16VLT-ADV, AM16SVLT, AM16SCB, AM16VLSCB peuvent être configurés pour un fonctionnement en position linéaire ou en angle. Les modèles de lave-vaisselle AM16-BAS, AM16T-BAS, AM16VL-BAS, AM16VLT-BAS, AM16-ASR, AM16T-ASR, AM16VL-ADV, AM16VLT-ADV, AM16SVLT, AM16SCB, AM16VLSCB sont expédiés de l'usine pour une installation en position linéaire. Les machines pour installation en position linéaire peuvent être facilement converties pour une position en angle.

Les lave-vaisselle AM16-BAS, AM16T-BAS, AM16VL-BAS, AM16VLT-BAS, AM16-ASR, AM16T-ASR, AM16VL-ADV, AM16VLT-ADV, AM16SVLT sont conçus pour fonctionner en mode d'assainissement à l'eau chaude uniquement (conçus en conformité avec les exigences NSF de température de 65,5 °C [150 °F] pour le lavage et 82 °C [180 °F] pour le rinçage. Ces températures se trouvent sur l'étiquette située sous les commandes de l'écran tactile, dans la partie inférieure de la machine).

Les lave-vaisselle AM16SCB, AM16VLSCB sont conçus pour fonctionner en mode d'assainissement aux produits chimiques uniquement (conçus en conformité avec les exigences NSF de température de 49 °C [120 °F] pour le lavage et 49 °C [120 °F] pour le rinçage. Ces températures se trouvent sur l'étiquette située sous les commandes de l'écran tactile, dans la partie inférieure de la machine).

Le numéro de série se trouve sur l'étiquette de données de la machine située en bas du pied avant droit de la machine.

Les pompes chimiques fournies par Hobart sont livrées en standard avec tous les modèles AM16SVLT, AM16SCB et AM16VLSCB. Les pompes à produits chimiques sont disponibles en tant que trousse d'accessoires (installés sur place) pour tous les autres modèles, ou contactez votre représentant en produits chimiques pour un système d'alimentation en produits chimiques à fournir et à installer par des tiers.

Le moteur de la pompe de lavage a une puissance nominale de 2 HP et est doté d'une protection contre les surcharges thermiques.

La conduite de remplissage comporte un espace d'air sur tous les modèles afin d'empêcher tout écoulement inverse de l'eau du lave-vaisselle vers l'alimentation en eau potable. L'appareil, une fois mis en marche, remplit le réservoir de lavage jusqu'au niveau approprié et arrête automatiquement le remplissage une fois le niveau atteint. Un transducteur de pression lit le niveau d'eau dans le réservoir de lavage et coupe la source de chaleur si le niveau d'eau devient trop bas. Lorsque l'eau revient au niveau approprié, le circuit de chauffage redevient opérationnel.

Un système de vidange automatique par pompage et de rinçage par pompage est standard sur tous les modèles.

Tous les modèles d'assainissement à eau chaude sont équipés d'un chauffe-eau électrique d'appoint de 7,1 kW monté sur le châssis. Le chauffe-eau d'appoint est conçu pour maintenir une température minimale de rinçage final de 82 °C (180 °F) à condition que l'eau entrante soit au moins à 43 °C (110 °F). Pour les modèles sans ventilation AM16VL-BAS, AM16VLT-BAS, AM16VL-ADV, AM16VLT-ADV et AM16SVLT, le chauffe-eau d'appoint est conçu pour maintenir une température minimale de rinçage final de 82 °C (180 °F) avec une eau entrante froide d'au moins 12,8 °C (55 °F).

Les modèles AM16SCB et AM16VLSCB sont équipés d'un chauffe-eau électrique d'appoint de 4,3 kW. Le chauffe-eau d'appoint est conçu pour maintenir une température minimale de rinçage final de 49 °C (120 °F) à condition que l'eau entrante soit au moins à 32 °C (90 °F) [49 °C (120 °F) recommandé].

Les modèles sans ventilation AM16VL-BAS, AM16VLT-BAS, AM16VL-ADV, AM16VLT-ADV et AM16VLSCB ne nécessitent pas de hotte de ventilation. Ils utilisent un système de condensation interne pour minimiser la vapeur d'eau qui s'échappe de l'unité pendant le chargement et le déchargement. Les modèles AM16-BAS, AM16T-BAS, AM16-ASR, AM16T-ASR à haute température nécessitent généralement l'installation d'une hotte ou d'un évent au-dessus du lave-vaisselle afin de respecter les codes locaux. Les machines d'assainissement aux produits chimiques à basse température ou les lave-vaisselle à chaleur électrique à faible utilisation peuvent ne pas nécessiter de ventilation individuelle de la machine si la pièce est largement aérée. Voir les pages 11 et 12 pour les exigences relatives à la ventilation et à la hotte. Vérifier avec les responsables du code local pour la détermination finale.

Les modèles AM16-ASR, AM16T-ASR, AM16VL-ADV, AM16VLT-ADV et AM16SVLT sont équipés d'un système de retrait automatique des salissures (RAS). Le système RAS redirige automatiquement les déchets alimentaires existants après le pré-nettoyage vers un panier à déchets externe situé sur le côté droit de la machine (accessoire disponible pour une installation à gauche). Cela permet de garder l'eau de lavage plus propre et de réduire la fréquence des changements d'eau. Cela permet d'économiser de l'eau, de l'énergie et des produits chimiques. Les machines de la série AM16-ASR sont uniquement disponibles en mode d'assainissement à eau chaude.

Les modèles AM16VL-ADV, AM16VLT-ADV et AM16SVLT nécessitent une seule alimentation en eau froide et sont équipés d'un système de récupération d'énergie de l'eau de vidange qui comprend une réduction de température de l'eau de vidange. Ils utilisent un échangeur de chaleur pour capter l'énergie de l'eau de vidange et préchauffer l'eau froide entrante pour le rinçage final. Les modèles AM16VL-ADV, AM16VLT-ADV et AM16SVLT sont équipés d'un système de retrait automatique des salissures (RAS).

INSTALLATION

DÉBALLAGE

Aussitôt le lave-vaisselle déballé, vérifiez qu'il n'a subi aucun dommage lors du transport. Dans le cas contraire, conservez le matériel d'emballage et contactez le transporteur dans les 5 jours suivant la livraison.

REMARQUE : Soyez prudent quand vous utilisez un chariot élévateur à fourche pour retirer la machine de la palette. N'utilisez PAS la poignée de levage de la porte pour déplacer la machine, car cela entraînerait des problèmes de levage de la porte.

Avant l'installation, vérifiez votre service électrique pour vous assurer qu'il correspond aux spécifications de la plaque signalétique. La plaque signalétique du lave-vaisselle se trouve dans le coin inférieur droit de la machine.

CODES D'INSTALLATION

L'installation doit se faire en conformité avec les codes étatiques et régionaux, ou en l'absence de ceux-ci, en conformité avec le Code électrique national ANSI/NFPA 70 (dernière édition). Au Canada, le standard d'installation est le CSA No 22.1 (dernière édition).

EMPLACEMENT

Avant de finaliser l'emplacement, assurez-vous d'avoir pris en compte le conduit électrique, l'alimentation en eau, le raccord de vidange, la ventilation (le cas échéant), le tablier (si nécessaire), le réapprovisionnement en produits chimiques (le cas échéant) et le dégagement adéquat pour l'ouverture de la porte.

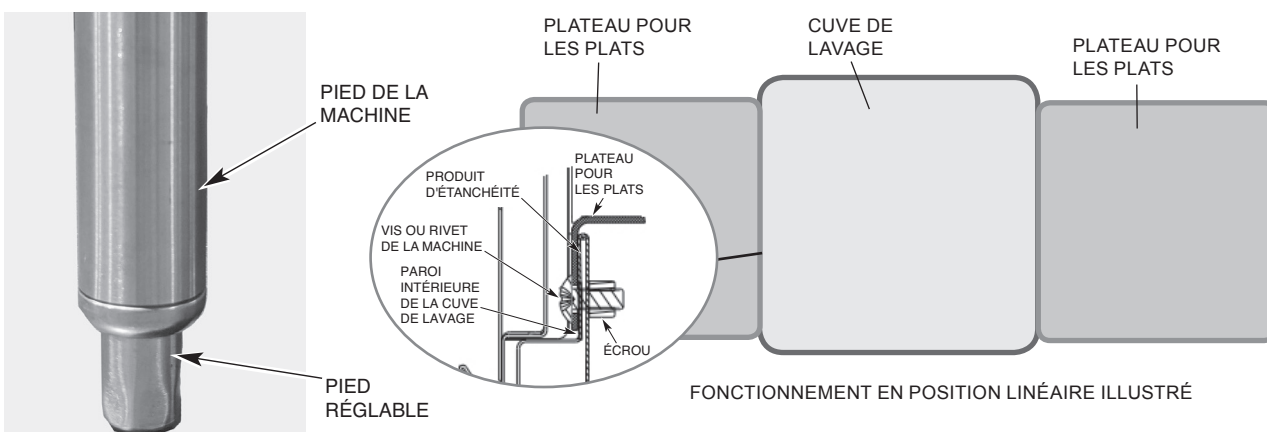
Le lave-vaisselle doit être de niveau avant d'effectuer toutes les connexions. Tournez les pieds filetés (Fig. 1) selon les besoins pour mettre la machine de niveau et la régler à la hauteur souhaitée.

Le bord du plateau pour les plats qui surplombe la cuve du lave-vaisselle AM16 doit être rabattu et placé sur le dessus de la cuve du lave-vaisselle (Fig. 2). Appliquez un produit d'étanchéité approuvé par la NSF entre le porte-à-faux du plateau pour les plats et la paroi intérieure du réservoir de lavage pour éviter les fuites (Fig. 2). Fixez les plateaux pour les plats à la paroi intérieure de la cuve de lavage à l'aide de vis à tête bombée ou de rivets inoxydables (Fig. 2).

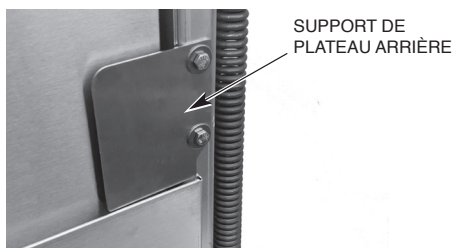
Pour les installations en position linéaire, un dégagement de 76 cm (30 po) à l'avant et de 38 cm (15 po) sur le côté droit, ainsi qu'un dégagement de 75 cm (29-1/2 po) au-dessus du plancher fini doivent être prévus pour le service.

Pour les machines équipées d'un RAS, un dégagement de 76 cm (30 po) à l'avant et de 61 cm (24 po) sur le côté droit (ou sur le côté gauche si le RAS est déplacé sur le côté gauche) par 84 cm (33 po) au-dessus du sol fini doit être prévu pour l'entretien. Si le RAS est déplacé sur le côté gauche, un dégagement de 38 cm (15 po) est nécessaire sur le côté droit.

REMARQUE : Pour les appareils de 480 V, un dégagement de 51 cm (20 po) est requis du côté gauche.



Selon la conception du plateau pour les plats, il peut être nécessaire d'ajuster ou de retirer les supports de plateau arrière (Fig. 3). Desserrez les deux boulons et écrous et réglez ou retirez selon les besoins.



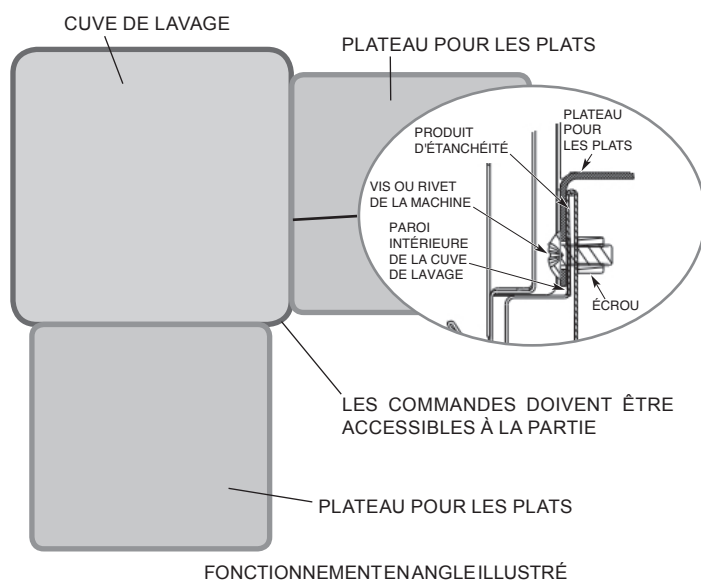
REMARQUE : Pour les modèles AM16-ASR, AM16T-ASR, AM16VL-ADV, AM16VLT-ADV et AM16SVLT, le module ASR peut être déplacé sur le côté gauche de la machine à l'aide de la trousse d'entretien numéro 00-950446 ou de la trousse d'accessoires de vente ASRLEFTKIT-AM16.

INSTALLATION EN ANGLE

Avant de placer le lave-vaisselle sur son lieu d'utilisation, vérifiez la configuration de la machine. Si la machine est installée dans un angle (Fig. 4, 5), il faut prévoir des dégagements de 76 cm (30 po) sous le tablier de gauche du lave-vaisselle, par 75 cm (29-1/2 po) au-dessus du sol fini et de 38 cm (15 po) à droite par 75 cm (29-1/2 po) au-dessus du sol fini pour l'entretien. Pour une installation correcte d'une machine en angle, la commande et l'affichage doivent être placés dans l'angle droit avant pour que l'opérateur puisse y accéder (Fig. 5).

Pour les installations en angle, repositionnez le guide de la grille sur le côté gauche du rail de la grille en suivant la procédure suivante (Fig. 6).

1. Retirez les deux écrous et boulons qui fixent le guide de la grille avant au rail de la grille et retirez le guide de la grille.
2. Placez le guide de la grille sur le côté gauche du rail de la grille en alignant les trous du guide sur les entretoises du rail.
3. Fixez à l'aide des accessoires retirés à l'étape 1. Remarque : Les écrous doivent être installés à l'intérieur du rail de la grille.



FONCTIONNEMENT EN ANGLE ILLUSTRÉ

Fig. 4

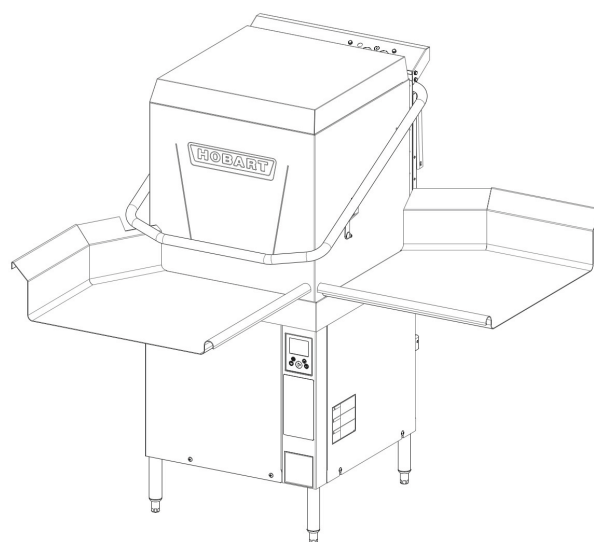
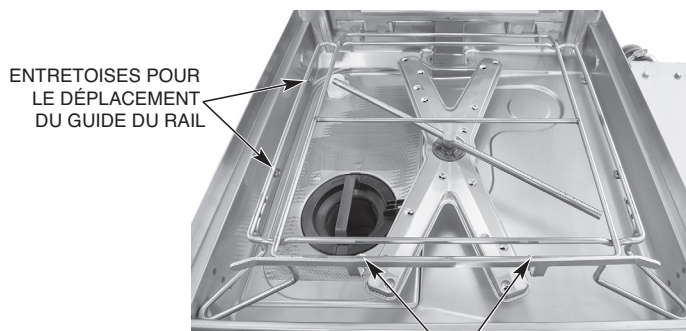


Fig. 5

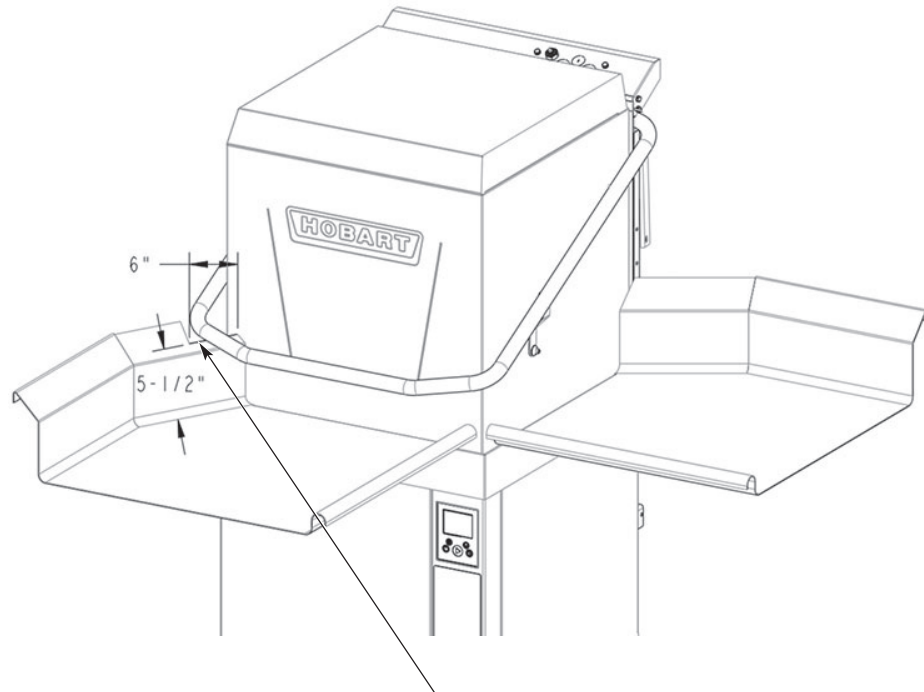


RETIRER LES ÉCROUS ET LES BOULONS (2)

Fig. 6

Une trousse de protection contre les éclaboussures est disponible (moyennant un supplément) pour les installations en angle afin d'éviter les éclaboussures excessives sur le mur. Commandez l'accessoire de vente CORNER-INST-AM16 ou la trousse de service du numéro de pièce 00-562156-00001. Pour l'installation, se référer aux instructions 0F-45885 fournies avec la trousse.

Pour les installations en angle, les tabliers avec dossier de plus de 14 cm (5-1/2 po) de hauteur exigent qu'une encoche soit prévue pour éviter toute interférence avec la poignée de la porte (Fig. 7).



UNE ENCOCHE DOIT ÊTRE AJOUTÉE POUR LES DOSSERETS DE PLUS DE 14 CM (5-1/2 PO) DE HAUTEUR POUR LES MACHINES EN ANGLE, AFIN D'ÉVITER TOUTE INTERFÉRENCE AVEC LA POIGNÉE DE LA PORTE. L'ENCOCHE DOIT DÉPASSER DE 15 CM (6 PO) LA PARTIE FRONTALE DE LA MACHINE.

Fig. 7

RACCORDS DE PLOMBERIE

⚠ AVERTISSEMENT : Les raccords de plomberie doivent se conformer aux codes en vigueur concernant l'assainissement, la sécurité et la plomberie.

Besoins en eau

Une eau de bonne qualité peut améliorer les performances de lavage de la vaisselle en réduisant les taches, améliorant ainsi l'efficacité de la main-d'œuvre et prolongeant la durée de vie des équipements. Les conditions relatives à l'eau varient d'un endroit à l'autre. Le traitement de l'eau recommandé pour une utilisation efficace et efficiente de cet équipement varie également en fonction des conditions locales de l'eau. Avant l'installation, demandez à votre fournisseur d'eau municipal des détails sur les conditions locales de l'eau.

La dureté de l'eau recommandée est de 3 grains par gallon (20,5 ppm) ou moins. Une dureté de l'eau supérieure à ceci pourrait causer des dépôts de calcaire excessifs. Une dureté de l'eau au-dessus de 3 grains par gallon (20,5 ppm) requiert un traitement de l'eau. Il a été démontré que le traitement de l'eau permet de réduire les coûts liés au nettoyage des machines, de réduire le détartrage du lave-vaisselle et de réduire l'utilisation de détergents dans le lave-vaisselle. Les chlorures ne devraient pas excéder 50 ppm.

REMARQUE : Des taux de fer élevés dans l'alimentation en eau peuvent provoquer des taches et nécessiter un filtre à fer. Des taux de chlorure élevés dans l'alimentation en eau peuvent provoquer des taches et nécessiter un système de retrait du chlorure. Contactez un professionnel local du traitement d'eau pour un traitement de l'eau approprié.

Certains sédiments peuvent nécessiter un filtre particulier. Les solides dissous peuvent nécessiter un traitement de l'eau tel qu'un adoucisseur d'eau, un système d'osmose inverse, etc. Contactez un professionnel local du traitement d'eau pour un traitement de l'eau approprié.

Si une inspection du lave-vaisselle ou du réchauffeur d'appoint révèle une accumulation de calcaire après la mise en service de l'équipement, un traitement de l'eau est recommandé. Si un adoucisseur d'eau est déjà installé, assurez-vous qu'il existe un niveau de sel suffisant. Pour toutes recommandations spécifiques, veuillez contacter le bureau de service de Hobart.

Connexion de l'alimentation en eau

Le plombier qui raccorde cette machine est responsable de s'assurer que les conduites d'eau sont PARFAITEMENT RINCÉES AVANT d'être raccordées au lave-vaisselle. Ce « rinçage » est nécessaire pour éliminer tous les corps étrangers, tels que les copeaux (résultant de la coupe ou du filetage des tuyaux), la pâte à joint des conduites ou, si des raccords soudés sont utilisés, les morceaux de soudure ou les coupures des tubes. Les débris, s'ils ne sont pas enlevés, peuvent se loger dans les composants de plomberie du lave-vaisselle et les rendre inopérants. Les vannes manuelles ou les électrovannes encrassées par des corps étrangers et les dépenses résultant de cet encrassement NE sont PAS de la responsabilité du fabricant et les coûts de réparation associés ne sont pas couverts par la garantie.

Les exigences d'alimentation en eau sont les suivantes :

EXIGENCES POUR L'ALIMENTATION EN EAU

Modèle	Mode d'assainissement	Connexion	Alimentation en eau		
			Minimum	Maximum	Recommandé
AM16-BAS AM16T-BAS	Assainissement à eau chaude	Eau chaude	43 °C (110 °F)	S/O	60 °C (140 °F)
AM16-ASR AM16T-ASR	Assainissement à eau chaude	Eau chaude	43 °C (110 °F)	S/O	60 °C (140 °F)
		Eau froide	13 °C (55 °F)	32 °C (90 °F)	18 °C (65 °F)
AM16VL-BAS AM16VLT-BAS AM16VL-ADV AM16VLT-ADV AM16SVLT	Assainissement à eau chaude	Eau froide	13 °C (55 °F)	32 °C (90 °F)	18 °C (65 °F)
AM16SCB	Assainissement aux produits chimiques	Eau chaude	49 °C (120 °F)	S/O	60 °C (140 °F)
AM16VLSCB	Assainissement aux produits chimiques	Eau chaude	49 °C (120 °F)	S/O	60 °C (140 °F)
		Eau froide	13 °C (55 °F)	32 °C (90 °F)	18 °C (65 °F)

Les modèles AM16-ASR, AM16T-ASR et AM16VLSCB nécessitent une alimentation en eau chaude et froide.

REMARQUE : Sur les installations des modèles AM16VL-BAS, AM16VLT-BAS, AM16VL-ADV, AM16VLT-ADV, AM16SVLT et AM16VLSCB, l'alimentation en eau froide ne doit pas excéder 32 °C (90 °F) pour un fonctionnement correct. Des résultats optimaux sont obtenus quand la température de l'alimentation en eau est en dessous de 18 °C (65 °F). Pour obtenir les meilleurs résultats, il peut être nécessaire d'utiliser un tuyau de 1,3 cm (1/2 po) de diamètre pour la conduite d'eau froide et de minimiser la distance entre le lave-vaisselle et l'entrée dans le bâtiment. L'isolation des tuyaux améliorera également les résultats.

Si la température de l'alimentation en eau est au-dessus de 32 °C (90 °F) de façon consistante ou si une vapeur d'eau ou une condensation pénètre dans la pièce de lavage des plats une fois que le cycle de condensation est terminé, contactez le Service de Hobart pour augmenter la durée de condensation.

Le flux de pression d'eau requis pour le lave-vaisselle est de 15 à 65 psig. Si la pression dynamique excède 65 psig, une valve de régulateur de pression doit être installée sur la conduite d'alimentation (par des tiers). Si la pression dynamique est inférieure à 15 psi, un fonctionnement inapproprié de la machine peut se produire. Tous les modèles AM16 sont équipés d'un système de rinçage à pompe; par conséquent, une jauge de pression d'eau n'est pas nécessaire et n'est pas fourni avec la machine.

REMARQUE : Le régulateur de pression d'eau doit posséder une dérivation de surpression. L'utilisation d'un régulateur de pression de type incorrect pourrait endommager l'unité.

Une vanne d'arrêt manuelle (non fournie) doit être installée en amont du tuyau de remplissage pour permettre l'entretien de la machine. Il est recommandé d'installer un filtre de conduite (non fourni) sur la ligne d'alimentation entre la vanne d'arrêt manuelle (non fournie) et le point de connexion sur la machine.

Toutes les machines sont livrées en standard avec un tuyau de remplissage de 244 cm (96 po) de long en acier inoxydable tressé avec un raccord femelle de 1,9 cm (3/4 po) pour tuyau d'arrosage. Un deuxième tuyau de remplissage est expédié pour les machines équipées de raccords d'eau chaude et froide. Effectuez les raccords de plomberie avec des tuyaux en cuivre de 1,3 cm (1/2 po) minimum de diamètre extérieur (1,9 cm [3/4 po] recommandé), avec un raccord mâle de 1,9 cm (3/4 po) pour tuyau d'arrosage (non fourni).

Raccord de vidange

Un tuyau de vidange, de 1,6 cm (5/8 po) de diamètre intérieur et de 1,8 m (6 pi) de long, est fourni avec la machine. Ce dernier doit être solidement raccordé à un drain. Faites attention de ne pas plier le tuyau. Le drain doit avoir une capacité d'écoulement minimale de 70 l (18,5 gallons) par minute. La hauteur du tuyau d'évacuation ne peut dépasser 1 m (40 po) au-dessus du sol fini.

Si un bac à graisse est exigé par le code, il doit avoir une capacité de débit minimale de 70 l (18,5 gallons) par minute.

Si la machine est équipée d'un système RAS, utilisez la trousse d'entrefer de vidange par pompage (référence 00-562723- 00001) livrée avec la machine; consultez les instructions d'installation fournies avec la trousse. Pour les modèles -BAS et VL-BAS, la trousse d'entrefer de vidange par pompage est disponible auprès du service commercial en utilisant le code d'accessoire PMP-DRAIN-AM16 ou la trousse de service n° 00-562723-00002.

REMARQUE : Si la machine est équipée d'un système RAS, NE raccordez PAS la conduite d'évacuation du système RAS à l'évacuation de l'évier 3-comp.

EXIGENCES DE VENTILATION

REMARQUE : Toute hotte aspirante commerciale fabriquée en usine, répertoriée et étiquetée, testée conformément à la norme UL 710 par un laboratoire d'essai reconnu à l'échelle nationale, doit être installée conformément aux conditions de sa liste et aux instructions d'installation du fabricant.

Calculs du taux de circulation d'air

Basés sur le code mécanique international 2018.

Le débit d'air net minimum pour les hottes de type II utilisées pour les appareils à laver la vaisselle doit être de 100 pi³/min par pied linéaire de longueur de hotte. La quantité nette d'air évacué est calculée en soustrayant tout débit d'air fourni directement à une cavité de la hotte du débit d'évacuation total de la hotte.

Les modèles sans ventilation AM16VL-BAS, AM16VLT-BAS, AM16SVLT, AM16VL-ADV, AM16VLT-ADV et AM16VLSCB ne nécessitent pas de hotte de ventilation de type II. Selon l'article 507.3 de l'IMC 2018, les hottes de type II ne sont pas requises lorsque la charge de chaleur et d'humidité est intégrée dans la conception du système CVC. Voir le tableau A (page 12) pour la dissipation de la chaleur ou le gain de chaleur dans l'espace.

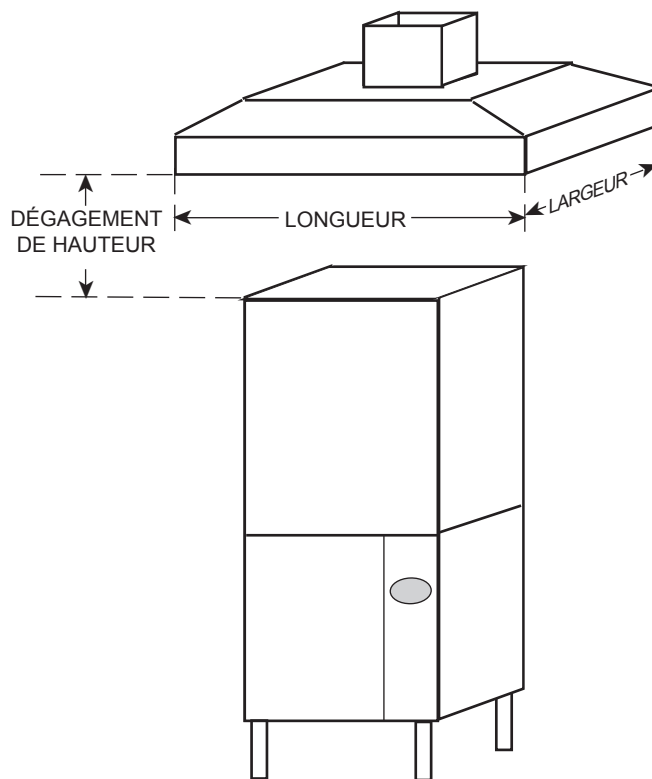


Fig. 8

TABLEAU A : DISSIPATION THERMIQUE

	Modèle	Chaleur électrique	Appoint d'électricité	Chaleur latente (BTU/h)	Chaleur sensible (BTU/h)
Assainissement à eau chaude	AM16-BAS	X	X	7 800	4 000
	AM16T-BAS	X	X	12 300	5 700
	AM16VL-BAS	X	X	4 300	3 500
	AM16VLT-BAS	X	X	6 800	5 000
	AM16-ASR	X	X	7 800	4 000
	AM16T-ASR	X	X	12 300	5 700
	AM16VL-ADV	X	X	3 200	3 700
	AM16VLT-ADV	X	X	5 100	5 300
	AM16SVLT	X	X	5 100	5 300
Assainissement aux produits chimiques	AM16SCB	X	X	3 570	6 700
	AM16VLSCB	X	X	3 600	4 200

- Hypothèses :
1. Les machines fonctionnent à 70 % de l'heure lorsqu'elles sont utilisées.
 2. Les valeurs indiquées correspondent à la chaleur qui entre dans la pièce.
 3. 70 % de la chaleur produite est latente, 30 % est sensible.

RACCORDS ÉLECTRIQUES

▲ AVERTISSEMENT : Les connexions électriques et de mise à la terre doivent respecter les parties en vigueur du code national d'électricité NFPA 70 (dernière édition) ou d'autres codes électriques locaux.

▲ AVERTISSEMENT : Débranchez l'alimentation électrique de la machine (à la fois le lave-vaisselle et le surpresseur, le cas échéant) et suivez les procédures de verrouillage/étiquetage. Assurez-vous qu'ils sont tous déconnectés.

Reportez-vous au schéma de câblage fixé à l'intérieur du panneau de garniture droit et à la plaque signalétique de la machine pour connaître les exigences en matière de taille de service lors du raccordement du lave-vaisselle. Reportez-vous également aux données électriques, indiquées ci-dessous.

Pour accéder à la zone des commandes, retirez le panneau latéral droit et ouvrez la porte du panneau de commande. Le branchement électrique du lave-vaisselle peut être effectué au niveau de l'orifice à défoncer de 1,9 cm (3/4 po) ou 2,5 cm (1 po) situé sur le côté droit à l'arrière de la machine.

DONNÉES ÉLECTRIQUES

Modèles	Volts/Hz/Ph	Température du réservoir	Ampérage minimum du circuit Dispositif de protection maximum AMPS		
			TB1	TB2	Connexion électrique standard à un seul point lave-vaisselle et surpresseur (3 phases uniquement)
AM16-BAS, AM16T-BAS, AM16VL-BAS, AM16VLT-BAS, AM16-ASR, AM16T-ASR, AM16VL-ADV, AM16VLT-ADV, AM16SVLT	208 - 240/60/1	Électrique	50	50	
	208 - 240/60/3	Électrique	30	30	60
AM16-BAS, AM16T-BAS, AM16VL-BAS, AM16VLT-BAS	480/60/3	Électrique	15	15	30
AM16-BAS, AM16T-BAS	200 - 240/50/3	Électrique	30	30	60
	380 - 415/50/3	Électrique	20	20	30
					Connexion électrique standard à un seul point avec un surpresseur électrique de 4,3 KW
AM16SCB, AM16VLSCB	208/240/60/1	Électrique			30 - 40 / 35 - 45

Compilé conformément au code électrique national, NFPA 70 (dernière édition).

Un sectionneur à fusible ou un disjoncteur (fourni par le client) doit être installé sur la ou les lignes de service électrique alimentant ce lave-vaisselle et doit être conforme aux exigences du code électrique local.

Tous les modèles AM16, à l'exception des modèles AM16SCB et AM16VLSCB, sont livrés en standard avec une alimentation en tension triphasée et une configuration électrique à point unique. L'alimentation électrique standard à un seul point se connecte au bornier TB1 dans la zone des commandes (Fig. 9). Cet appareil doit être mis à la terre conformément au code électrique; une prise mise à la terre est fournie.

Les modèles AM16SCB et AM16VLSCB sont livrés en standard avec une alimentation en tension monophasée et une configuration électrique à point unique. L'alimentation électrique standard à un seul point se connecte au bornier TB1 dans la zone des commandes (Fig. 9). Cet appareil doit être.



Fig. 9

Pour convertir un modèle AM16 en une configuration électrique à deux points ou pour passer du triphasé au monophasé, consultez les instructions F-45845 fixées à l'intérieur du panneau de garniture droit de la machine.

REMARQUE : Les modèles AM16SCB et AM16VLSCB ne peuvent pas être convertis sur place en une configuration à deux points. Ces modèles ne peuvent être installés qu'avec une configuration de connexion électrique monophasée et à un seul point.

Réglage de la tension (machines de 380 à 415 V uniquement)

Cette procédure de réglage s'applique à tous les lave-vaisselle AM16 de 380 à 415 V, 50 Hz, 3 phases. Toutes les autres tensions du lave-vaisselle AM16 sont pré-réglées à l'usine et ne demandent aucune procédure d'ajustement.

CETTE PROCÉDURE NE PEUT ÊTRE EFFECTUÉE QUE PAR UN ELECTRICIEN DE SERVICE QUALIFIÉ.

Si la tension fournie vers la machine est de 415 V, aucun changement n'est nécessaire. Le transformateur du circuit de commande [T2] devrait être réglé pour fonctionner à 415 V.

Si la tension vers la machine est de 380 V, le transformateur du circuit de commande [T2] devrait être changé pour fonctionner à 380 V. Pour changer de prise de pression, déplacez le fil rouge sur le bornier TB5 de la prise 415 V à la prise 380 V.

REMARQUE : TB5 se trouve sur la plaque de base des commandes située sur le côté inférieur droit de la machine (Fig. 10).

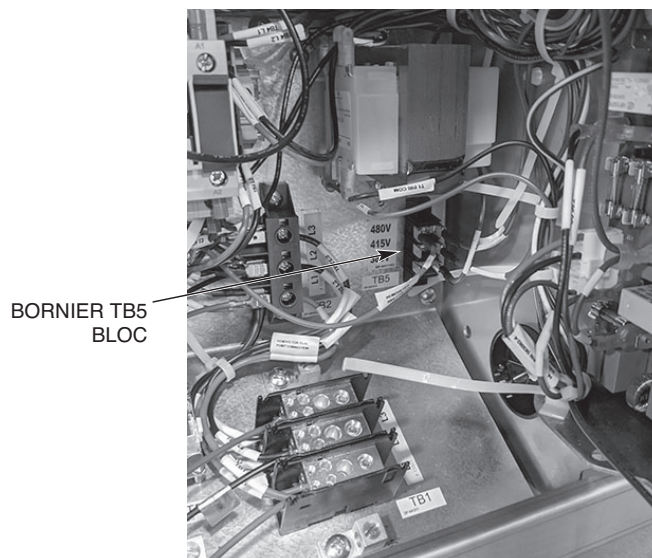


Fig. 10

Rotation du moteur (machines de 480 V et 50 Hz uniquement)

Avant de mettre la machine en service, vérifiez la rotation correcte de la pompe de lavage du moteur en observant sa direction. Si le moteur de la pompe ne tourne pas dans le bon sens, **DÉBRANCHEZ L'ALIMENTATION ÉLECTRIQUE** et échangez deux des fils d'alimentation entrants. Connectez de nouveau l'alimentation et vérifiez que la rotation est correcte.

CONNEXIONS DE L'ÉQUIPEMENT

⚠ AVERTISSEMENT : Les raccords électriques et de mise à la terre doivent respecter les parties en vigueur du code national d'électricité.

⚠ AVERTISSEMENT : Débranchez l'alimentation électrique de la machine (à la fois le lave-vaisselle et le surpresseur, le cas échéant) et suivez les procédures de verrouillage/étiquetage. Assurez-vous qu'ils sont tous déconnectés.

Commande du ventilateur du conduit d'aération

La fonction de contrôle du ventilateur d'évacuation est standard sur tous les modèles AM16 avec ventilation. Le relais de commande du ventilateur d'aération fournit des contacts de commutation uniquement et ne fournit pas de courant au moteur du ventilateur d'aération. Le relais de contrôle du ventilateur d'aération connecté aux bornes VFC1 et VFC2 a un courant nominal de 1,5 A à la tension d'alimentation de la plaque signalétique. Quand le lave-vaisselle est relié au ventilateur d'aération, ce dernier s'allume quand le lave-vaisselle est en marche et s'éteint quand le lave-vaisselle est à l'arrêt.

INSTALLATION DES DISTRIBUTEURS DE DÉTERGENT, DE PRODUIT DE RINÇAGE ET D'AGENT ASSAINISSANT FOURNIS PAR HOBART

Tous les modèles AM16SCB, AM16VLSCB et AM16SVLT sont équipés en standard de pompes chimiques. Les pompes à produits chimiques sont disponibles en tant que trousse d'accessoires (installés sur place) pour tous les autres modèles. Pour les machines de hauteur standard, commandez le code d'accessoire de vente CHEMPUMP-STD-AM16 ou la pièce de rechange n° 00- 563068-00002. Pour les machines hautes, commandez le code d'accessoire de vente CHEMPUMP-HTS-AM16 ou la pièce de rechange n° 00-563069. Pour toutes instructions d'installation à la hauteur normale avec la trousse d'accessoires, référez-vous à F-45893. Pour toutes instructions d'installation à la hauteur élevée avec la trousse d'accessoires, référez-vous à F-45904.

REMARQUE : Pour les machines avec ventilation, une trousse d'alimentation électrique est nécessaire pour installer les pompes chimiques Hobart. Commandez le code d'accessoire de vente POWERSUPPLY-AM16 ou la pièce de rechange n° 00-563649. Pour toutes instructions d'installation avec la trousse d'alimentation, référez-vous à F-45911.

Programmation des pompes chimiques (pour les machines équipées de pompes chimiques Hobart)

REMARQUE : Le module d'application de produits chimiques est réglé en usine sur les paramètres de concentration (ml/l) suivants. Cette procédure de réglage permet de vérifier ou de modifier les paramètres si des changements de dosage de produits chimiques sont nécessaires pour obtenir des concentrations correctes.

1. Mettez le lave-vaisselle sous tension. L'écran Ready (Prêt) s'affiche quand le cycle de remplissage est terminé.
2. Appuyez sur le bouton Menu.
3. Lorsque l'option « Manager Menu » est en surbrillance, appuyez sur le bouton « Enter ». L'écran « Enter PIN » (Saisissez le code NIP) s'affiche.
4. Le code de gestionnaire par défaut est « 1001 ». Utilisez les boutons fléchés pour modifier la valeur, puis appuyez sur le bouton « Enter » (Entrée) pour sélectionner la valeur et passer au chiffre suivant jusqu'à ce que le CODE SOIT SAISI.

5. Après le dernier chiffre et avoir appuyé sur « Enter », utilisez la flèche vers le bas et faites défiler jusqu'à ce que « chemical menu » (Menu chimique) soit souligné. Appuyez sur « Enter ».
6. Vous trouverez ci-dessous une liste des paramètres chimiques recommandés et des réglages d'usine de Hobart pour les pompes chimiques de Hobart intégrées. Utilisez les flèches haut et bas pour passer au paramètre suivant.
 - a. Pour modifier la valeur d'un paramètre, appuyez sur le bouton « Enter » une fois que le paramètre est souligné.
 - b. Appuyez sur les flèches haut et bas pour modifier la valeur du paramètre.
 - c. Une fois que la valeur du paramètre requis est affichée, appuyez sur le bouton « Enter » pour enregistrer la sélection.
7. Pour quitter la programmation, utilisez les flèches vers le haut et vers le bas pour faire défiler les paramètres jusqu'à ce que « back » (Retour) soit souligné et appuyez sur le bouton « Enter » (Entrée). Répétez cette procédure jusqu'à ce que l'écran Ready (Prêt) soit affiché.

Réglage par défaut en usine du détergent de l'AM16 et doses de détergent suggérées										
Nom du paramètre	Détergent pour lave-vaisselle KAY QSR		Détergent pour lave-vaisselle Ecolab Supra LP	Détergent liquide pour lave-vaisselle Ecolab Keystone		Ecolab Super Trump	Ecolab UltraKlene Plus		Ecolab Ecotemp Ultra Klene / UltraKlene FT	
	2,00	2,50		0,80	1,10		2,60	3,60	0,80	1,10
Concentration (ml/l) * LE SEUL PARAMÈTRE MODIFIABLE DE LA MACHINE	2,00	2,50	2,00	0,80	1,10	1,60	2,60	3,60	0,80	1,10
Concentration (%)	Min.	Max.	Max.	Min.	Max.	Max.	Min.	Max.	Min.	Max.
	0,20	0,25	0,20	0,08	0,11	0,16	0,26	0,36	0,08	0,11
Dose de produits chimiques (ml par cycle)	5,07	6,34	5,07	2,03	2,79	4,06	6,59	9,13	2,03	2,79
Vitesse de la pompe	100%									
Temps de marche de la pompe	1,95	2,44	1,95	0,78	1,07	1,56	2,54	3,51	0,78	1,07
Révolutions de la pompe	4,6	5,8	4,6	1,9	2,6	3,7	6,0	8,4	1,9	2,6

- La valeur par défaut du détergent de la machine AM16 est de 2,5 ml/l, ce qui correspond à 6,25 ml par cycle et à 5,7 révolutions de la pompe en fonction du détergent pour lave-vaisselle KAY QSR (couleur jaune). D'autres détergents peuvent nécessiter un changement de dose.
- Les informations sur les doses de produits chimiques figurant dans le tableau ci-dessus ne sont données qu'à titre indicatif.
- Dans le tableau ci-dessus, les doses de détergent en « ml/l » et « ml par cycle » et les « révolutions et temps de marche de la pompe » correspondants sont basés sur les recommandations de dose du fabricant respectif (obtenues à partir de la FTSS/FDS ou de la fiche technique du détergent) et sur le volume d'eau de rinçage de l'AM16 de 0,67 gal par cycle.
- Pour les détergents dont la dilution en % est connue, calculer les « ml/l » en multipliant la dilution en % connue par 10; par exemple, 0,20 % en ml/l est $0,20 \% * 10 = 2,0 \text{ ml/l}$.
- Pour les détergents ne figurant pas dans le tableau et dont la dose est inconnue, utiliser la dose de détergents de « 1,5 ml/l qui correspond à 3,8 ml par cycle » ou consultez le vendeur de produits chimiques pour connaître la dose recommandée.
- Avec l'information sur les « ml/l », calculer les « ml par cycle » en multipliant les « ml/l » connus par 2,535, c.-à-d. « 2 ml/l » à « ml par cycle » sont $2 \text{ ml/l} * 2,535 = 5,07 \text{ ml par cycle}$.
- Le facteur « 2,535 (c. à d., 0,67 gal par cycle * 3,785 l/gal) » est basé sur le volume de rinçage de l'AM16 de 0,67 gal par cycle et la conversion de « gal » en « l ». Le facteur doit changer lorsque le volume de rinçage change.

Réglage par défaut en usine du produit de rinçage de l'AM16 et doses de produit de rinçage suggérées

Nom du paramètre	Ecolab Esteem Dry All		Ecolab EcoTemp Ultra Dry		Additif de rinçage liquide Ecolab Keystone		Additif de rinçage Ecolab R/O Free		EcoLab Rinse Dry	
	0,50	1,00	0,13	0,31	0,13	0,31	0,13	0,31	0,13	0,31
Concentration (ml/l) * LE SEUL PARAMÈTRE MODIFIABLE DE LA MACHINE	0,50	1,00	0,13	0,31	0,13	0,31	0,13	0,31	0,13	0,31
Concentration (%)	Min.	Max.	Min.	Max.	Min.	Max.	Min.	Max.	Min.	Max.
	0,05	0,10	0,0132	0,0311	0,0132	0,0311	0,0132	0,0311	0,0132	0,0311
Dose de produits chimiques (ml par cycle)	1,27	2,54	0,33	0,79	0,33	0,79	0,33	0,79	0,33	0,79
Vitesse de la pompe	100%									
Temps de marche de la pompe	0,49	0,98	0,13	0,30	0,13	0,30	0,13	0,30	0,13	0,30
Révolutions de la pompe	1,2	2,3	0,3	0,7	0,3	0,7	0,3	0,7	0,3	0,7

- La valeur par défaut du produit de rinçage de la machine AM16 est de 1,1 ml/l, ce qui correspond à 2,75 ml/l et à 2,4 révolutions de la pompe. D'autres détergents peuvent nécessiter un changement de dose.
- **La dose de produits chimiques figurant dans le tableau ci-dessus n'est donnée qu'à titre indicatif.**
- Dans le tableau ci-dessus, les doses de produit de rinçage en « ml/l » et « ml par cycle » et les « révolutions et temps de marche de la pompe » correspondants sont basés sur les recommandations de dose du fabricant respectif (obtenues à partir de la FTSS/FDS ou de la fiche technique du produit de rinçage) et sur le volume d'eau de rinçage de l'AM16 de 0,67 gal par cycle.
- Pour les produits chimiques dont la dilution en % est connue, calculer les « ml/l » en multipliant la dilution en % connue par 10; par exemple, 0,05 % en ml/l est 0,050 % * 10 = 0,50 ml/l.
- Pour les produits chimiques ne figurant pas dans le tableau et dont la dose est inconnue, utiliser la dose de produit de rinçage de « 0,9 ml/l qui correspond à 2,25 ml par cycle » ou consultez le vendeur de produits chimiques pour connaître la dose recommandée.
- Avec l'information sur les « ml/l », calculer les « ml par cycle » en multipliant les « ml/l » connus par 2,535, c.-à-d. « 0,5 ml/l » à « ml par cycle » est 0,50 ml/l * 2,535 = 1,27 ml par cycle).
- Le facteur « 2,535 (c. à d., 0,67 gal par cycle * 3,785 l/gal) » est basé sur le volume de rinçage d'AM16 de 0,67 gal par cycle et la conversion de « gal » en « l ». Le facteur doit changer lorsque le volume de rinçage change.

Réglage par défaut en usine de l'agent assainissant de l'AM16 et doses de détergent suggérées						
Nom du paramètre	Ecolab Esteem Sani-NC 5,25 % en poids d'hypochlorite de sodium dans l'eau de Javel 3,5 ml pour 75 ppm		Ecolab Eco-San NC 8,4 % en poids d'hypochlorite de sodium dans l'eau de Javel 2,2 ml pour 75 ppm		Ecolab Keystone Sanitizer 8,4 % en poids d'hypochlorite de sodium dans l'eau de Javel 2,2 ml pour 75 ppm	
Concentration (ml/l) * LE SEUL PARAMÈTRE MODIFIABLE DE LA MACHINE	0,92	1,84	0,54	1,08	0,54	1,08
Concentration (%)	Min. 50 ppm	Max. 100 ppm	Min. 50 ppm	Max. 100 ppm	Min. 50 ppm	Max. 100 ppm
Dose de produits chimiques (ml par cycle)	2,33	4,66	1,38	2,75	1,38	2,75
Vitesse de la pompe	6 %	15 %	4 %	7 %	4 %	7 %
Temps de marche de la pompe	S/O					
Révolutions de la pompe						

- La valeur par défaut de l'agent assainissant de la machine AM16 est de 1,57 ml/l, ce qui correspond à 3,8 ml/l et à 80 ppm de chlore de 5,25 % en poids d'hypochlorite de sodium dans une solution d'eau de Javel à une vitesse de la pompe de 11 %.
- Les informations sur les doses de produits chimiques figurant dans le tableau ci-dessus ne sont données qu'à titre indicatif.
- Dans le tableau ci-dessus, les doses d'agent assainissant en « ml/l » et « ml par cycle » et les « révolutions et temps de marche de la pompe » correspondants sont basés sur les recommandations de dose du fabricant respectif (obtenues à partir de la FTSS/FDS ou de la fiche technique de l'agent assainissant) et sur le volume d'eau de rinçage de l'AM16 de 0,67 gal par cycle pour former un minimum de 50 ppm ou un maximum de 100 ppm de chlore requis d'assainissement NSF.
- Pour les agents assainissants à base de chlore dont les noms ne figurent pas dans le tableau, mais dont le pourcentage en poids d'hypochlorite de sodium dans une solution d'eau de Javel est le même que celui indiqué dans le tableau, les données associées peuvent être utilisées à titre indicatif, sous réserve de confirmation par des essais sur la machine à l'aide de bandelettes réactives au chlore.
- Pour les agents assainissants à base de chlore dont les noms ne figurent pas dans le tableau, mais dont le pourcentage en poids d'hypochlorite de sodium dans une solution d'eau de Javel est inconnu, un assainissement au chlore de 50 à 100 ppm doit être effectué en testant sur la machine.

Amorçage des pompes chimiques

Toutes les machines équipées de pompes chimiques de Hobart s'amorceront automatiquement. Si un amorçage manuel est requis, suivre les étapes ci-dessous.

1. Mettez le lave-vaisselle sous tension. L'écran Ready (Prêt) s'affiche quand le cycle de remplissage est terminé.
2. Appuyez sur le bouton Menu.
3. Lorsque l'option « Manager Login » est en surbrillance, appuyez sur le bouton « Enter ». L'écran « enter PIN » (Saisissez le code) s'affiche.
4. Le code de gestionnaire par défaut est « 1001 ». Utilisez les boutons fléchés pour modifier la valeur, puis appuyez sur le bouton « Enter » (Entrée) pour sélectionner la valeur et passer au chiffre suivant jusqu'à ce que le code soit saisi.
5. Après le dernier chiffre et avoir appuyé sur « Enter », utilisez la flèche vers le bas et faites défiler jusqu'à ce que « chemical menu » (Menu chimique) soit souligné. Appuyez sur « Enter ».
6. Faites défiler vers le bas jusqu'à ce que « Prime Chemical Pumps » (Amorçage des pompes chimiques) soit indiqué. Appuyez sur « Enter ».
7. « Prime Detergent Pump » (Amorçage de la pompe de détergent) s'affiche. Utilisez les touches fléchées pour sélectionner oui ou non à l'amorçage de la pompe à détergent. Appuyez sur le bouton « Enter ».
8. « Prime Rinse Aid Pump » (Amorçage de la pompe de produit de rinçage) s'affiche. Utilisez les touches fléchées pour sélectionner oui ou non à l'amorçage de la pompe de produit de rinçage. Appuyez sur le bouton « Enter ».
9. « Priming Sanitizer Pump » (Amorçage de la pompe d'agent assainissant) s'affiche. Utilisez les touches fléchées pour sélectionner oui ou non pour l'amorçage de la pompe d'agent assainissant. Appuyez sur le bouton « Enter ».
10. L'écran affiche « filling chemical hoses » (Remplissage des tuyaux de produits chimiques) et la ou les pompes de produits chimiques appropriées réglées sur « yes » (oui) aux étapes 7 à 9 s'amorcent pendant 20 secondes, puis l'écran revient au « chemical menu » (Menu chimique).
11. Pour quitter le menu, utilisez les flèches vers le haut et vers le bas pour faire défiler les paramètres jusqu'à ce que « Back » (Retour) soit indiqué et appuyez sur le bouton « Enter » (Entrée). Répétez cette procédure jusqu'à ce que l'écran Ready (Prêt) soit affiché.

Test des agents assainissants (machines d'assainissement aux produits chimiques)

1. Placez un bol de service ou un saladier à l'envers sur une grille et passez-le dans un cycle.
2. Après le cycle, plongez une bandelette de test d'agent assainissant dans l'eau recueillie à la surface du bol.
3. Comparez la bandelette d'essai à l'échelle d'essai fournie avec votre trousse d'essai (Fig. 11). Si le niveau de l'agent assainissant est en dehors des limites (c'est-à-dire inférieur à 50 ppm ou supérieur à 100 ppm), ajustez le dosage. Reportez-vous à la section Programmation de la pompe à produits chimiques (page 15), pour les instructions de réglage, ou contactez votre fournisseur de produits chimiques.

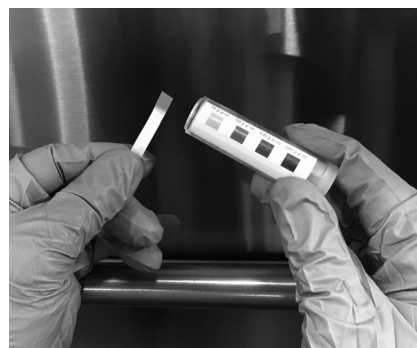


Fig. 11

DISTRIBUTEURS DE DÉTERGENT ET DE PRODUIT DE RINÇAGE (POUR LES MACHINES ÉQUIPÉES DE POMPES CHIMIQUES FOURNIES PAR DES TIERS)

Installation des tubes

Les distributeurs de détergent et de produit de rinçage non fournis par Hobart doivent avoir tous les raccords scellés contre les fuites.

Les lave-vaisselle de la série AM16 utilisent 2,5 l (0,67 gallon) d'eau de rinçage par grille à un débit de 15,1 l (4,02 gallons) par minute. Cette information est utilisée lors du réglage des pompes de détergent et de produit de rinçage.

REMARQUE : Tous les modèles AM16 utilisent un système de rinçage à pompe; une jauge de pression n'est pas nécessaire.

Distributeur de détergent

Le lave-vaisselle comporte trois trous bouchés de 2,2 cm (7/8 po) de diamètre; deux sur les parois latérales supérieures arrière de la cuve (un côté gauche, un côté droit, Fig. 12) et un sur la partie inférieure avant de la cuve (Fig. 13). Lorsque la cuve est vide, retirez les deux bouchons pour installer le distributeur de détergent.

- Les trous de la partie supérieure du réservoir sont destinés à l'installation du tube d'alimentation en détergent (utilisez l'emplacement situé à gauche ou à droite).
- Le trou inférieur du réservoir est utilisé pour l'installation du capteur de détergent.

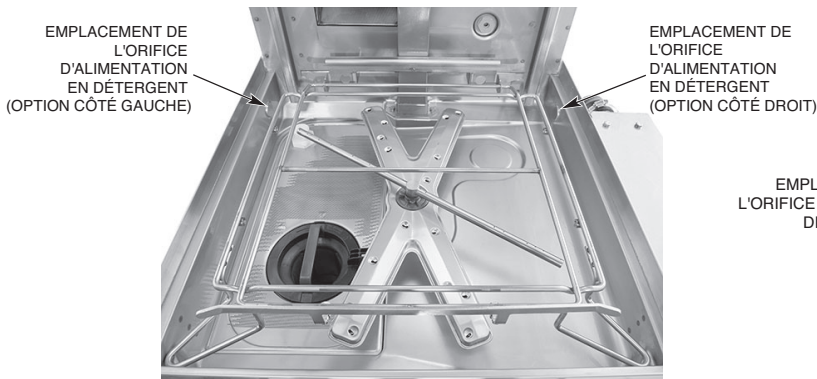


Fig. 12



Fig. 13

Distributeur de produit de rinçage

Retirez le bouchon 1/8 po NPT (Fig.14 pour les unités de hauteur standard, Fig. 15 pour les unités hautes) pour l'installation du tube distributeur de produit de rinçage.



Fig. 14



Fig. 15

DISTRIBUTEURS DE DÉTERGENT ET DE PRODUIT DE RINÇAGE – CONNEXIONS DE L'ÉQUIPEMENT

⚠ AVERTISSEMENT : Les raccords électriques et de mise à la terre doivent respecter les parties en vigueur du code national d'électricité NFPA 70 (dernière édition) ou d'autres codes électriques locaux.

⚠ AVERTISSEMENT : Débranchez l'alimentation électrique de la machine (à la fois le lave-vaisselle et le surpresseur, le cas échéant) et suivez les procédures de verrouillage étiquetage. Assurez-vous qu'ils sont tous déconnectés.

Cette machine doit fonctionner avec un distributeur automatique de détergent, équipé d'un moyen visuel de vérifier la distribution des détergents ou d'une alarme visuelle ou audible pour signaler si les détergents ne peuvent être distribués aux systèmes de lavage et d'assainissement. Reportez-vous à la section d'installation de ce manuel et au(x) manuel(s) d'équipement du distributeur chimique.

Distributeur de détergent

Les bornes DPS1 et DPS2 (Fig. 16) sont alimentées par la tension de ligne contrôlée de la machine. Elles sont sous tension (ON) pendant le cycle de lavage et hors tension (OFF) entre les cycles, lorsque la machine est en cycle de détartrage ou lorsque l'alimentation de la machine est désactivée (OFF). **L'intensité maximale du distributeur de détergent connecté à DPS1 et DPS2 est de 1,5 A à la tension du secteur.** Vérifiez la tension d'alimentation de la machine et utilisez la tension correspondante du transformateur d'alimentation. Utilisez un fil isolé de 600 V minimum homologué UL pour les connexions. N'utilisez pas de fil de sonnette, de cordon de lampe ou de fil de type similaire. Les raccords, si nécessaire, doivent être effectués dans la boîte de jonction du transformateur d'alimentation (fournie par des tiers) - et non dans l'enceinte des commandes principales. Utilisez l'orifice de 2,2 cm (7/8 po) de diamètre situé dans le coin arrière droit de la machine pour le raccord de conduit de 1,3 cm (1/2 po). Retirez le panneau latéral droit. Des raccords de décharge de traction doivent être prévus pour tout le câblage.

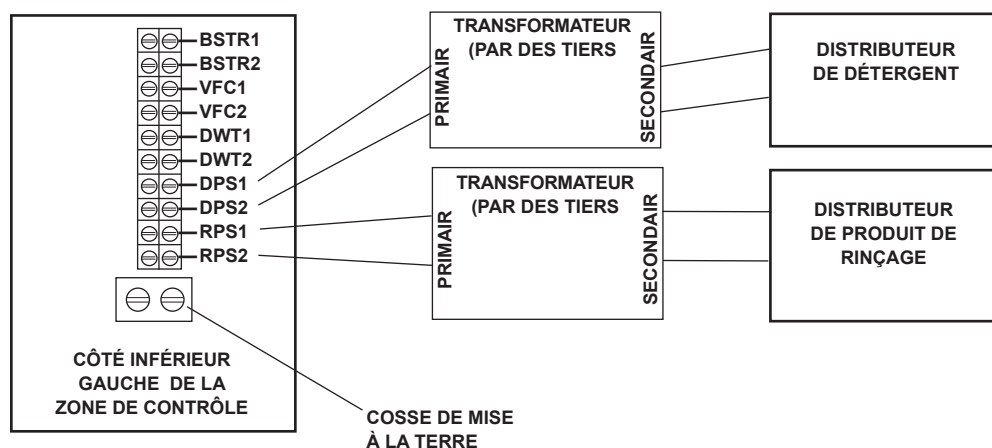


Fig. 16

Distributeur de produit de rinçage

Les bornes RPS1 et RPS2 (Fig. 16) sont alimentées par la tension de ligne contrôlée de la machine. Elles sont sous tension (ON) pendant le cycle de rinçage et hors tension (OFF) entre les cycles, lorsque la machine est en cycle de détartrage ou lorsque l'alimentation de la machine est désactivée (OFF). **L'intensité maximale du distributeur de produit de rinçage connecté à RPS1 et RPS2 est de 1,5 A à la tension du secteur.** Vérifiez la tension d'alimentation de la machine et utilisez la tension correspondante du transformateur d'alimentation. Utilisez un fil isolé de 600 V minimum homologué UL pour les connexions. N'utilisez pas de fil de sonnette, de cordon de lampe ou de fil de type similaire. Les raccords, si nécessaire, doivent être effectués dans la boîte de jonction du transformateur d'alimentation (fournie par des tiers) - et non dans l'enceinte des commandes principales. Utilisez l'orifice de 2,2 cm (7/8 po) de diamètre situé dans le coin arrière droit de la machine pour le raccord de conduit de 1,3 cm (1/2 po). Des raccords de décharge de traction doivent être prévus pour tout le câblage.

UTILISATION

PRÉPARATION

Le tuyau vertical doit se trouver à son emplacement correct sous le panier du filtre (Fig. 17). Placez le bac du filtre et le panier du filtre dans leur position correcte (Fig. 18).

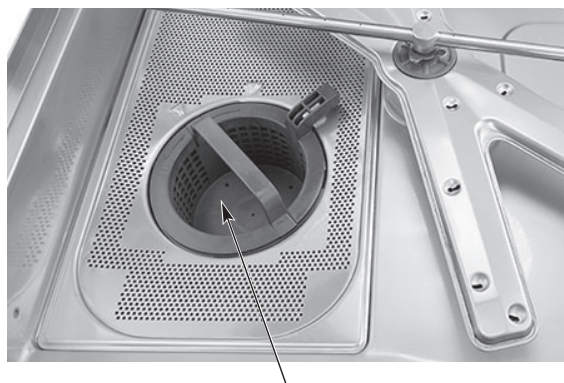


Fig. 17

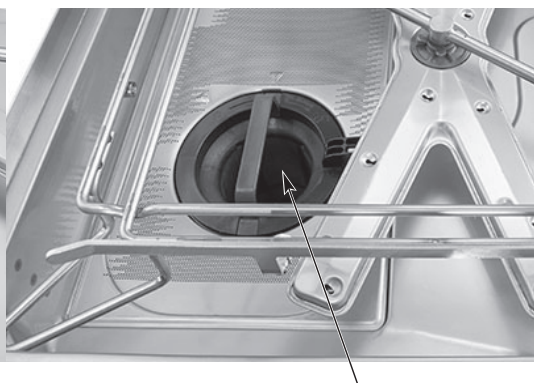


Fig. 18

REMARQUE : Lors de l'installation du panier du filtre, assurez-vous que le panier est en position « verrouillée » (Fig. 19).



PANIER DU FILTRE EN POSITION DÉVERROUILLÉE



PANIER DU FILTRE EN POSITION VERROUILLÉE

Fig. 19

Si la machine est équipée d'un système RAS, assurez-vous que le panier à déchets RAS externe est correctement installé dans le boîtier RAS (Fig. 20).



Fig. 20

Si la machine n'est pas équipée de pompes chimiques intégrées de Hobart, un distributeur automatique de détergent est nécessaire. Suivez attentivement les instructions du fournisseur.

Fermez la porte Appuyez sur le bouton MARCHÉ pour mettre la machine sous tension (Fig. 21). Si la porte de la machine est fermée et qu'il n'y a pas d'eau dans le réservoir, le cycle de remplissage commence automatiquement. Si de l'eau est détectée dans le réservoir, la machine vérifie la température de l'eau et si l'eau est froide, la machine évacue l'eau avant de la remplir d'eau fraîche. Si l'eau est chaude, la machine la chauffe jusqu'à la température appropriée du réservoir de lavage. Pendant le cycle de remplissage, le mot FILLING (Remplissage) s'affiche avec l'image d'un seau qui se remplit pour indiquer la progression (Fig. 22).

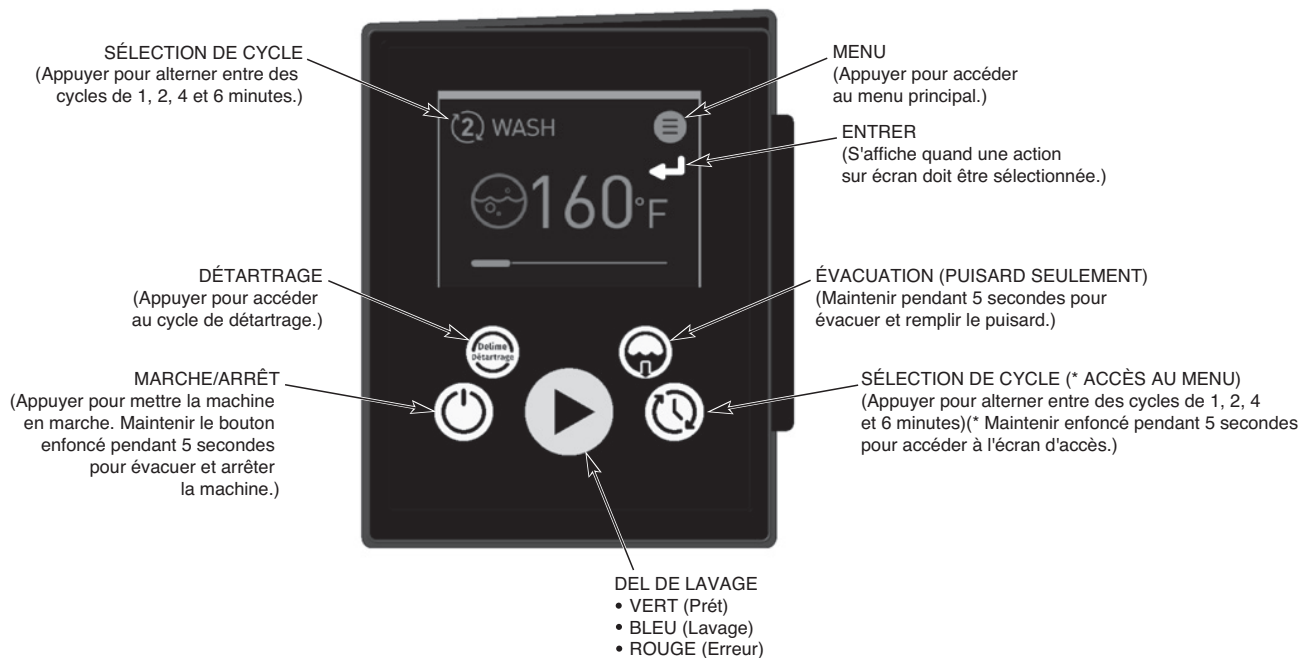


Fig. 21



Fig. 22

REMARQUE : Sur les machines équipées de la fonction de récupération d'énergie, le processus de remplissage peut prendre jusqu'à 20 minutes.

Pendant le lavage ou en mode veille, l'affichage indique la température de lavage. Pendant le cycle de rinçage, l'icône et la température de rinçage s'affichent. Sélectionnez le cycle de lavage : 1 pour la vaisselle normale, 2, 4 ou 6 pour les casseroles et les poêles. Chaque cycle de lavage est suivi d'un rinçage automatique. Lorsque le cycle de rinçage est terminé et que l'icône de rinçage s'éteint, la porte peut être ouverte.

Pour les modèles sans ventilation, la porte doit rester fermée jusqu'à ce que le cycle de condensation soit terminé. Tous les modèles sans ventilation comprennent un verrou qui empêche l'ouverture de la porte jusqu'à ce que le cycle soit terminé. Une barre de progression de la condensation s'affiche pendant le cycle de condensation. Le non-respect de ces instructions entraînera un excès de vapeur et de vapeur d'eau dans la salle de vaisselle.

LAVE-VAISSELLE

Grattez la vaisselle pour enlever les grosses particules d'aliments et les débris. N'utilisez jamais de laine d'acier sur la vaisselle à charger dans le lave-vaisselle.

Disposez les plats sur une grille. N'empilez pas les plats les uns sur les autres, car l'eau doit pouvoir accéder librement à tous les côtés de chaque plat. Placez les assiettes et les plats sur le côté dans une grille de type égouttoir (Fig. 23). Les tasses, les verres et les bols doivent être placés à l'envers dans une grille ouverte ou à compartiments (Fig. 23). L'argenterie et les autres petites pièces peuvent être éparpillées librement sur le fond d'une grille à fond plat.

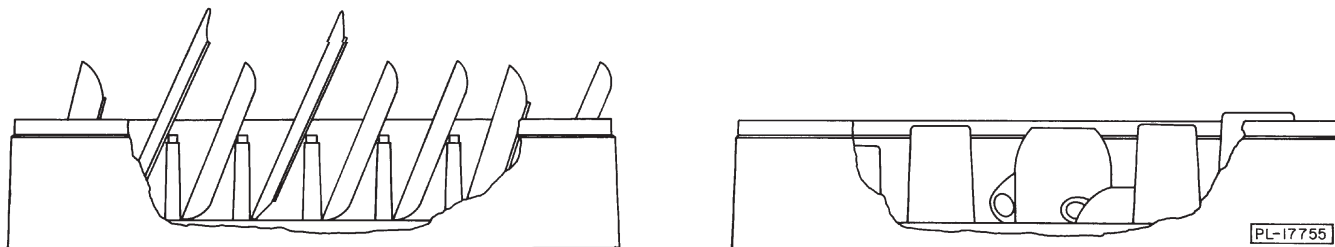


Fig. 23

Ne laissez pas d'objets étrangers pénétrer dans l'appareil, en particulier les contaminants métalliques. Après avoir rempli une grille, ouvrez la porte, faites glisser la grille dans le lave-vaisselle et fermez la porte.

Pendant le cycle de lavage, la température de l'eau du réservoir est affichée sur l'écran du panneau avant, ainsi que le mot WASH (Lavage) et une icône. Pendant le cycle de rinçage, la température de l'eau de rinçage est affichée, ainsi que le mot RINSE (Rinçage) et une icône. Lorsque le cycle de rinçage est terminé, l'affichage indique la température de l'eau du réservoir.

Sur les modèles sans ventilation, une barre de progression affiche la durée restante du cycle pendant le cycle de condensation.

Lorsque l'écran affiche « cycle complete » (Cycle terminé), ouvrez la porte, retirez la vaisselle propre, glissez une autre grille et fermez la porte.

Ce lave-vaisselle n'est pas conçu pour être ouvert avant la fin d'un cycle, mais si vous devez ajouter un plat après le début du cycle de lavage, ouvrez la porte lentement, jusqu'à ce que la pompe s'arrête. Attendez 10 secondes pour permettre au bras de lavage de descendre en roue libre et pour éviter les projections d'eau avant d'ouvrir complètement la porte.

Les températures de fonctionnement pour tous les modèles sont les suivantes :

Mode d'assainissement	Température de lavage pour lavage minimum	Température de rinçage pour rinçage minimum
Eau chaude	66 °C (150 °F)	82 °C (180 °F)
Produits chimiques	49 °C (120 °F)	49 °C (120 °F)

Pour les modèles « VL » uniquement – Si des quantités excessives de vapeur ou de vapeur d'eau sortent de la machine après la fin du cycle et l'ouverture de la porte, la température de l'eau froide entrante est peut-être trop élevée. Contactez le service de Hobart pour régler les temps de rinçage et de condensation selon le tableau de réglage ci-dessous. L'augmentation de la durée du cycle augmentera la consommation d'eau et diminuera le nombre de grilles par heure, mais devrait réduire la vapeur et la vapeur d'eau entrant dans la salle de vaisselle.

TEMPS DE CONDENSATION RECOMMANDÉ (basé sur la température de l'eau entrante)

AM16VL-BAS et AM16VL-ADV

Température de l'eau entrante °F (°C)	Temps de condensation (s)	Temps de rinçage (s)	Supports par heure Base sans ventilation (cycle de 1 min.)	Paniers par heure ADV (cycle de 1 min.)
60 (16)	20	10	45	40
65 (18)	24	10	42	39
70 (21)	27	10	41	37
75 (24)	30	10	40	36
80 (27)	33	11	38	35
85+ (29+)	36	12	36	33

AM16VLT-BAS, AM16VLT-ADV et AM16SVLT

Température de l'eau entrante °F (°C)	Temps de condensation (s)	Temps de rinçage (s)	Supports par heure Base sans ventilation (cycle de 1 min.)	Paniers par heure ADV (cycle de 1 min.)
60 (16)	30	10	40	36
65 (18)	33	11	38	35
70 (21)	36	12	36	33
75 (24)	39	13	35	32
80 (27)	42	14	33	31
85+ (29+)	45	15	32	30

Pour les modèles AM16SCB uniquement – Le lavage ne démarre pas si la température de la cuve de lavage n'atteint pas 49 °C (120 °F) ou si la température du surpresseur n'atteint pas 49 °C (120 °F). Pendant ce temps, HEATING (en cours de chauffe) s'affiche à l'écran jusqu'à ce que les températures de lavage et de rinçage atteignent 49 °C (120 °F). Si la température de rinçage final n'atteint pas 49 °C (120 °F), le message « Minimum final rinse temperature not reached. Machine locked. » (Température minimale de rinçage final non atteinte. Machine verrouillée.) s'affiche ainsi que le code d'erreur « Error 084 » et la machine reste verrouillée jusqu'à ce qu'elle soit vidangée et remplie de nouveau.

Si la réserve d'agent assainissant est vide après 3 cycles, « Sanitizer is empty. Refill sanitizer. Machine is locked. » (L'agent assainissant est vide. Rechargez l'agent assainissant. La machine est verrouillée.) s'affiche avec le code d'erreur « Error 079 » et la machine est inopérante. Remplacez l'alimentation en agent assainissant et appuyez sur Entrer pour amorcer. La pompe s'amorcera pendant 20 secondes. Si aucun produit chimique est détecté, appuyez de nouveau sur Entrer.

Si la réserve de détergent est vide, le message « Detergent is empty. Refill detergent. Machine is locked » (Le détergent est vide. Recharger le détergent. La machine est verrouillée.) s'affiche ainsi que le code d'erreur « Error 077 » et la machine est inopérante. Remplacez l'alimentation en détergent et appuyez sur Entrer pour amorcer. La pompe s'amorcera pendant 20 secondes. Si aucun produit chimique est détecté, appuyez de nouveau sur Entrer.

Pour les modèles AM16SVLT uniquement – Le lavage ne démarre pas si la température de la cuve de lavage est inférieure à 150 °F (66 °C). Pendant ce temps, HEATING s'affiche à l'écran et la porte reste verrouillée. Si la machine ne parvient pas à chauffer, le message « Error 090 » s'affiche et la machine s'éteint, à l'exception de l'écran. Après le cycle de lavage, si la température d'appoint est inférieure à 83 °C (181 °F), le cycle de lavage sera prolongé jusqu'à 8 minutes avant de terminer le cycle de rinçage. Si la température du rinçage final n'atteint pas 83 °C (181 °F), le message « Minimum final rinse temperature not reached. Machine locked. » (Température minimale du rinçage final non atteinte. Machine verrouillée.) s'affiche ainsi que « Error 084 » et la machine reste verrouillée jusqu'à ce qu'elle soit vidangée et remplie de nouveau.

Si la réserve de détergent est vide après 3 cycles consécutifs, le message « Detergent is empty. Refill detergent. Machine is locked » (Le détergent est vide. Rechargez le détergent. La machine est verrouillée.) s'affiche ainsi que le code d'erreur « Error 077 » et la machine est inopérante. Remplacez l'alimentation en détergent et appuyez sur Entrer pour amorcer. La pompe s'amorcera pendant 20 secondes. Si aucun produit chimique est détecté, appuyez de nouveau sur Entrer.

NETTOYAGE

La machine doit être soigneusement nettoyée à la fin de chaque quart de travail ou au moins quotidiennement. N'utilisez jamais de laine d'acier pour le nettoyage des surfaces du lave-vaisselle. N'utilisez que des produits formulés pour être sans danger pour l'acier inoxydable.

1. Appuyez sur le bouton d'alimentation pendant 5 secondes (jusqu'à ce que la barre de progression soit complète). La machine se vide automatiquement.
2. Une fois que l'écran s'est éteint, ouvrez la porte de la machine.
3. Nettoyez et rincez soigneusement l'intérieur du lave-vaisselle. Enlevez les saletés restantes avec un chiffon doux ou une brosse et un nettoyant doux. Rincez à nouveau.
4. Retirez et videz le panier du filtre, le bac et le tuyau vertical. Lavez et rincez soigneusement.
5. Nettoyez le fond du réservoir. Ne laissez pas de déchets alimentaires s'accumuler au fond du réservoir ni s'infiltrer dans le drain.
6. Enlevez le tuyau vertical. Lavez et rincez le tuyau vertical à l'intérieur et à l'extérieur.
7. Assurez-vous que les bras de lavage et de rinçage supérieurs et inférieurs (Fig. 24, 25) tournent librement et ne sont pas obstrués. Si ce n'est pas le cas, retirez les bras et éliminez les obstructions éventuelles. Reportez-vous à la section Entretien, page 37.

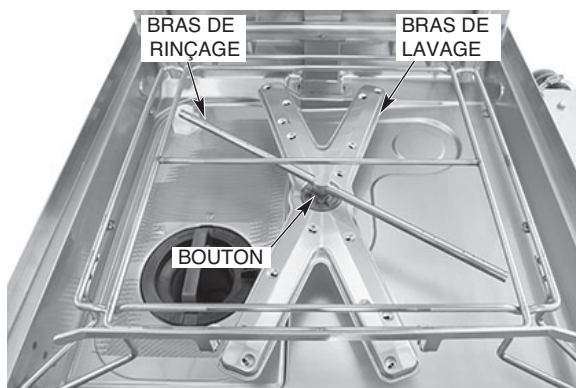


Fig. 24

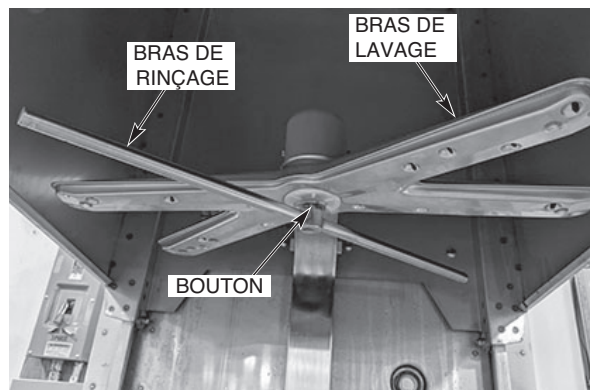


Fig. 25

REMARQUE : Ne cognez ni ne rincez les bras pour les nettoyer.

8. Appuyez sur le bouton de vidage manuelle (page 24, Fig. 21) jusqu'à ce qu'il ne reste plus d'eau au fond du réservoir.
9. Remettez en place toutes les pièces retirées. Laissez la porte de la machine ouverte pour permettre à l'intérieur de s'aérer et de sécher.

INSTRUCTIONS DE DÉTARTRAGE

Pour accéder au cycle de détartrage sans notification, appuyez sur le bouton « Delime » (Détartrage) du HMI. Le bouton de détartrage est actif même lorsque la machine est arrêtée.

Processus de détartrage manuel (modèles AM16-BAS, AM16T-BAS, AM16VL-BAS, AM16VLT-BAS, AM16SCB et AM16VLSCB)

La machine invitera l'opérateur à procéder au détartrage en fonction d'un nombre défini de cycles effectués. Le moment venu, l'afficheur indique « Delime required. Start Delime Cycle? » (Détartrage requis. Démarrez le cycle de détartrage?). Si l'appareil est prêt à être détartré, appuyez sur l'un des boutons fléchés pour mettre en surbrillance « yes » (oui) et appuyez sur

le bouton « Enter ». Appuyez sur le bouton « Enter » pour mettre en surbrillance « no » (non) afin d'effectuer le détartrage de la machine plus tard. Si « yes » (oui) est sélectionné, passez à l'étape 3 ci-dessous. Commencez le processus à l'étape 1 si vous lancez le processus de détartrage manuel sans l'invite.

1. Appuyez sur le bouton « Delime » (Détartrage).
2. L'écran affiche le message « Start Delime Cycle? » (Démarrez le cycle de détartrage?). Appuyez sur l'un des boutons fléchés pour mettre en surbrillance « yes » (oui) et appuyez sur le bouton « Enter ».
3. Le message « Please Clean strainer » (Veuillez nettoyer le filtre) s'affiche. Ouvrez la porte de la machine et retirez le panier et le bac du filtre. Nettoyez le panier et le bac dans un évier avec un détergent doux et rincez.
4. Remplacez le bac et le panier du filtre dans la machine et assurez-vous que le panier est en position verrouillée (page 23, Fig. 19).
5. Fermez la porte de la machine et appuyez sur le bouton « Enter ». La machine se vidange. Une fois la machine vidangée, le message « Please insert delime » (Veuillez insérer le produit de détartrage) s'affiche. Ouvrez la porte de la machine et versez la quantité requise de produit de détartrage dans le réservoir de lavage, conformément aux recommandations des fournisseurs de produits chimiques pour un réservoir de lavage de 37,9 l (10,5 gallons), puis fermez la porte.
6. Une fois la porte fermée, appuyez sur le bouton « Enter ». Le réservoir se remplit d'eau fraîche. Une fois rempli, l'appareil commence un cycle de lavage de 10 minutes. Remarque : Le bouton « Enter » n'apparaît pas à l'écran tant que la porte n'est pas ouverte et fermée.
7. Après un cycle de lavage de 10 minutes, la machine se vide et se remplit d'eau fraîche. Une fois rempli, l'appareil entame un cycle de lavage d'une minute pour éliminer tout résidu de produit chimique de détartrage.
8. Après un cycle de lavage d'une minute, la machine se vide et s'éteint.

Processus de détartrage automatique (modèles AM16-ASR, AM16T-ASR, AM16VL-ADV, AM16VLT-ADV et AM16SVLT)

La machine invitera l'opérateur à procéder à un détartrage en fonction de la dureté de l'eau et de l'utilisation de la machine. Le moment venu, l'afficheur indique « Delime required. Start Delime Cycle? » (Détartrage requis. Démarrez le cycle de détartrage?). Si l'appareil est prêt à être détartré, appuyez sur l'un des boutons fléchés pour mettre en surbrillance « yes » (oui) et appuyez sur le bouton « Enter ». Appuyez sur le bouton « Enter » pour mettre en surbrillance « no » (non) afin d'effectuer le détartrage de la machine plus tard. Si « yes » (oui) est sélectionné, passez à l'étape 3 ci-dessous. Commencez le processus à l'étape 1 si vous lancez le processus de détartrage automatique sans l'invite.

REMARQUE : la machine pompe automatiquement la solution de détartrage dans le lave-vaisselle pendant le cycle de détartrage automatique. Assurez-vous qu'il y a suffisamment de produit chimique dans la bouteille et que le tube vertical est complètement inséré dans la bouteille.

1. Appuyez sur le bouton « Delime » (Détartrage).
2. L'écran affiche le message « Start Delime Cycle? » (Démarrez le cycle de détartrage?). Appuyez sur l'un des boutons fléchés pour mettre en surbrillance « yes » (oui) et appuyez sur le bouton « Enter ».
3. Le message « Please Clean strainer » (Veuillez nettoyer le filtre) s'affiche. Ouvrez la porte de la machine et retirez le panier et le bac du filtre. Nettoyez le panier et le bac dans un évier avec un détergent doux et rincez.

4. Remplacez le bac et le panier du filtre dans la machine et assurez-vous que le panier est en position verrouillée (page 23, Fig. 19).
5. Fermez la porte de la machine et appuyez sur le bouton « Enter ». La machine se vidange. Une fois la machine vidangée, elle commencera à se remplir d'eau fraîche et ajoutera automatiquement de la solution de détartrage à mesure que l'appareil se remplit.
6. Une fois que l'unité est remplie et que la solution de détartrage a été ajoutée, l'unité commence un cycle de lavage de 10 minutes.
7. Après un cycle de lavage de 10 minutes, la machine se vide et se remplit d'eau fraîche. Une fois rempli, l'appareil entame un cycle de lavage d'une minute pour éliminer tout résidu de produit chimique de détartrage.
8. Après un cycle de lavage d'une minute, la machine se vide et s'éteint.

CHOSSES À FAIRE ET À NE PAS FAIRE EN CE QUI CONCERNE VOTRE NOUVEAU LAVE-VAISSELLE HOBART

Veillez à ce que la dureté de l'eau soit correcte (3 grains ou moins par gallon sont recommandés). Faites un pré-nettoyage de la vaisselle.

N'utilisez que des détergents recommandés par votre expert en produits chimiques.

À la fin de la journée, nettoyez soigneusement la machine, rincez-la et séchez-la (laissez la porte ouverte). Suivez scrupuleusement le calendrier de détartrage prescrit par votre expert en produits chimiques.

N'utilisez que des produits formulés pour être sans danger pour l'acier inoxydable. N'utilisez pas de détergents formulés pour les lave-vaisselle résidentiels. Ne laissez pas les saletés alimentaires s'accumuler au fond de la cuve.

Ne dépassez pas les concentrations recommandées par le fabricant de produits chimiques pour les détergents, les agents assainissants, les produits de rinçage ou les produits de détartrage.

N'utilisez pas de laine d'acier pour nettoyer les surfaces de la vaisselle ou du lave-vaisselle.

Ne laissez pas d'objets étrangers pénétrer dans l'appareil, en particulier les contaminants métalliques tels que les trombones, les attaches, etc.

REMARQUE : le non-respect des instructions concernant le fonctionnement, le soin et l'entretien de votre lave-vaisselle Hobart peut entraîner l'annulation de la garantie.

PROGRAMMATION

MENU DE GESTION

Les lave-vaisselle AM16 offrent des options de personnalisation pour le fonctionnement de la machine. Pour activer ou modifier ces fonctions, entrez dans le menu de gestion en suivant la procédure suivante.

1. Mettez le lave-vaisselle sous tension. L'écran Ready (Prêt) s'affiche quand le cycle de remplissage est terminé.
2. Appuyez sur le bouton Menu.
3. Lorsque l'option « Manager Menu » (Menu de gestion) est en surbrillance, appuyez sur le bouton « Enter ». L'écran « Enter PIN » (Saisissez le code NIP) s'affiche.
4. Le code de gestionnaire par défaut est « 1001 ». Utilisez les boutons fléchés pour modifier la valeur, puis appuyez sur le bouton « Enter » (Entrée) pour sélectionner la valeur et passer au chiffre suivant jusqu'à ce que le code soit saisi.
5. Utilisez les flèches vers le haut et vers le bas pour passer d'un élément à l'autre du menu de gestion.
 - a. Une fois la sélection souhaitée soulignée, appuyez sur le bouton « Enter ».
 - b. Pour les sélections qui sont modifiables, utilisez les flèches haut et bas pour changer la valeur.
 - c. Une fois la valeur requise affichée, appuyez sur le bouton « Enter » pour enregistrer la sélection.
6. Pour quitter la programmation, utilisez les flèches vers le haut et vers le bas pour faire défiler les paramètres jusqu'à ce que « back » (retour) soit souligné et appuyez sur le bouton « Enter » (entrée). Répétez cette procédure jusqu'à ce que l'écran Ready (Prêt) soit affiché.

PARAMÈTRES DU MENU DE GESTION

Nom du paramètre	Description	Valeurs possibles	Valeur par défaut
RÉGLAGES DE LA MACHINE			
Language (Langue)	Définit la langue d'affichage de la machine.	English, French, Spanish, etc. (Anglais, français, espagnol, etc.)	English (Anglais)
Date	Définit le jour, le mois et l'année en cours.		
Time (Heure)	Sélectionne l'heure actuelle (heures et minutes). L'heure peut également être mise à jour au format 24 h.		
Temperature Units (Unités de température)	Règle l'affichage de la température en Fahrenheit ou en Celsius.	Fahrenheit ou Celsius	Fahrenheit
PARAMÈTRES D'AFFICHAGE			
Brightness (Luminosité)	Augmente ou diminue la luminosité de l'écran de la machine.		

Nom du paramètre	Description	Valeurs possibles	Valeur par défaut
ALARME DE MACHINE			
Machine Alarm (Alarme de machine)	Active ou désactive une alarme sonore de fin de cycle.	Enable (Activer) ou Disable (Désactiver)	Enable (Activer)
MENU CHIMIQUE			
Rinse Aid Concentration (Concentration du produit de rinçage)	Règle le niveau de concentration chimique du produit de rinçage.	0,0 ml/l - 2,0 ml/l	1,1 ml/l
Detergent Concentration (Concentration du détergent)	Règle le niveau de concentration chimique du détergent.	0,0 ml/l - 9,5 ml/l	2,5 ml/l
Prime Chemical Pumps (Amorcer les pompes chimiques)	Se reporter à la section Amorçage des pompes chimiques, page 19.		
Sanitizer Dosing (Dosage de l'agent assainissant)	Règle le niveau de concentration de l'agent assainissant chimique.	0 % - 100 %	11 %
Delime Concentration (Concentration du produit de détartrage)	Définit le niveau de concentration chimique du tartre en fonction du pourcentage de calcaire en solution dans l'eau du puisard et du réservoir d'appoint.	Low (1,25 %) [Faible (1,25 %)] Medium (1,89 %) [Moyenne (1,89 %)] High (3,77 %) [Élevée (3,77 %)]	Low (1,25 %) [Faible (1,25 %)]
DURETÉ DE L'EAU			
Water Hardness (Dureté de l'eau)	Règle la dureté de l'eau d'alimentation.	0 gr/gal - 250 gr/gal	7 gr/gal
JOURNAL DES CYCLES DE LA MACHINE			
Show Cycle Information (Afficher les informations sur le cycle)	Affiche la date et l'heure des cycles précédents.		
DÉMARRAGE AUTOMATIQUE*			
Enable/Disable (Activer/Désactiver)	Permet de désactiver ou d'activer la fonction de démarrage automatique.	Enable (Activer) ou Disable (Désactiver)	Disable (Désactiver)
Settings (Configuration)	Définit le jour de la semaine et l'heure du démarrage automatique. Si la fonction est activée, la machine se met automatiquement en marche et se remplit au jour et à l'heure définis.		

Nom du paramètre	Description	Valeurs possibles	Valeur par défaut
WiFi			
Enable/Disable (Activer/Désactiver)	Active ou désactive la connectivité WiFi.	Enable (Activer) ou Disable (Désactiver)	Disable (Désactiver)
Status (État)	Affiche l'état actuel de la connexion WiFi de la machine.		
Connection Assistant (Assistant de connexion)	Connexion guidée au réseau WiFi.	<ul style="list-style-type: none"> • Search Network (Réseau de recherche) • WPS • Add Network (Ajouter un réseau) 	
Access Code (Code d'accès)	Génère un code d'accès qui peut être utilisé pour jumeler la machine à l'application SmartConnect.		
Connection Test (Test de connexion)	Teste la connexion WiFi avec la machine pour confirmer la connectivité WiFi.		
Manual Installation (Installation manuelle)	Permet la connectivité à un réseau caché.	<ul style="list-style-type: none"> • Search Network (Réseau de recherche) • WPS • Add Network (Ajouter un réseau) 	
Assistant de connexion mobile	Connecte la machine au sans fil en utilisant l'application SmartConnect.	Oui ou non	
CYCLES JUSQU'À LA NOTIFICATION DU DÉTARTRAGE (S'APPLIQUE UNIQUEMENT AUX MODÈLES AM16(T)-BAS, AM16VL(T)-BAS, AM16SCB ET AM16VLSCB)			
Cycles Until Delime Notification (Cycles jusqu'à la notification du détartrage)	Affiche les cycles restants jusqu'à ce que la notification de rappel de détartrage s'affiche.		
Set Counter (Régler le compteur)	Définit le nombre de cycles avant l'affichage de la notification de rappel de détartrage.	0-999999	2000
PROGRAMME DE LAVAGE DIFFÉRÉ			
Enable/Disable (Activer/Désactiver)	Active ou désactive le délai de la température de la cuve de lavage. Une fois activé, le cycle de lavage sera retardé jusqu'à ce que la température de lavage soit atteinte. L'écran affiche « Heating » (Chauffage) jusqu'à ce que la température soit atteinte.	Enable (Activer) ou Disable (Désactiver)	Disable (Désactiver) (Activable pour les modèles SVLT et SCB)

Nom du paramètre	Description	Valeurs possibles	Valeur par défaut
ALERTE DE TEMPÉRATURE DE RINÇAGE			
Disabled (Désactivé)	Désactive l'alerte de basse température de rinçage.		
Notification (Avis)	Active l'alerte de basse température de rinçage. Après un certain nombre de cycles (3 par défaut) en dessous de la température minimale de rinçage requise, l'écran affiche une alerte de température de rinçage. La machine continue à fonctionner normalement.		
Lockout Machine (Verrouillage machine)	Active le verrouillage de la température de rinçage basse. Après un certain nombre de cycles (3 par défaut) en dessous de la température minimale de rinçage requise, l'écran affiche une alerte de température de rinçage. La machine se verrouille et l'unité est inopérante.		
Repeat Cycle (Répétition du cycle)	Après un nombre défini de cycles (par défaut 3) en dessous de la température minimale de rinçage requise, la machine répète automatiquement les cycles de lavage et de rinçage.		
SURVEILLANCE DU FILTRE			
Surveillance du filtre	Détecte si la crépine du puisard est en place par erreur ou avertissement. S'il est réglé sur le message Error (Erreur), l'unité est inopérante jusqu'à ce que la crépine soit correctement installée. S'il est réglé sur Warning (Avertissement), appuyez sur Enter (Entrer) pour continuer le fonctionnement normal de la machine.	Message d'erreur ou d'avertissement	Message d'erreur

* **REMARQUE** : lorsque vous activez la fonction de démarrage automatique, la machine se met en marche et se remplit sans surveillance. Avant d'utiliser cette fonction, assurez-vous que tous les panneaux et composants de la machine sont en place et que tous les raccordements à la machine (c.-à-d. : eau, évacuation, électricité) sont en état de marche.

APPLICATION HOBART SMARTCONNECT

Grâce au WiFi intégré, vous pouvez connecter votre lave-vaisselle commercial AM16 à notre application pour téléphone intelligent facile à utiliser. Avec l'application gratuite de Hobart SmartConnect, vous pouvez créer de meilleures procédures et améliorer les performances dans la salle de vaisselle en contrôlant l'assainissement et en analysant l'utilisation, la consommation et les coûts.

REMARQUE : pour les alimentations de 240 V, 380 V et 440 V, contactez le service après-vente de Hobart pour ajuster la valeur de la puissance dans les paramètres de service afin d'obtenir des valeurs de consommation d'énergie précises.

Se connecter

Enregistrement d'un compte

1. Ouvrez l'application et tapez sur « **Register** » (Enregistrer).
2. Saisissez votre adresse électronique et appuyez sur « **Send Verification Code** » (Envoyer le code de vérification). Saisissez ensuite le code que vous recevez dans votre courriel.
3. Fournissez les informations manquantes, y compris un mot de passe.
4. Appuyez sur « **Create** » (Créer).
5. Lisez et acceptez l'accord de licence de l'utilisateur final et la politique de confidentialité. Appuyez sur « **Confirm** » (Confirmer) quand vous avez terminé.

Vous pouvez maintenant utiliser l'application pour vous connecter au WiFi et jumeler votre machine.

Connexion de l'AM16 au WiFi depuis l'application SmartConnect

1. Appuyez sur l'icône « hamburger » du menu, puis appuyez sur le bouton « **WiFi** ».
2. Appuyez sur « **Connect** » (Connecter) pour Hobart.
3. Suivez le guide de l'application pour préparer la machine à la connexion.
4. Appuyez sur « **Confirm Instructions** » (Confirmer les instructions) et appuyez sur « **Yes** » (Oui) si la machine est prête à être connectée.
5. La machine générera un code; saisissez-le dans l'application et celle-ci se connectera à la machine.
6. Une liste des réseaux disponibles s'affiche. Sélectionnez le réseau auquel vous souhaitez vous connecter et saisissez le mot de passe du réseau si nécessaire.
7. Lorsque la connexion WiFi est réussie, la machine indique le succès et affiche un code d'accès pour le jumelage avec l'application.
8. Sur l'écran principal de l'application, appuyez sur l'icône « hamburger » du menu, puis sur le bouton « **+** » et saisissez le code d'accès pour le jumelage.

Connexion de l'AM16 au WiFi depuis la machine

1. Appuyez sur l'icône « hamburger » du menu, sélectionnez « **Manager Menu** » (Menu de gestion) et entrez votre code NIP.
2. Faites défiler et appuyez sur le bouton « **Enter** » pour sélectionner « **WiFi** ».
3. Faites défiler et sélectionnez « **Connection Assistant** » (Assistant de connexion).
4. Faites défiler et sélectionnez « **Search Network** » (Recherche de réseau).

5. Faites défiler et sélectionnez le réseau disponible auquel vous souhaitez vous connecter.
6. Saisissez le mot de passe de votre réseau, puis appuyez sur « **OK** ».
7. La machine se connectera à votre réseau, transférera les données vers le nuage SmartConnect et affichera un code de connexion pour l'application.

Si votre machine ne se connecte pas au WiFi, consultez notre FAQ à l'adresse www.itwfoodequipment.com/smartconnect365/help pour dépanner votre connexion.

Pour jumeler et ajouter votre AM16 à l'application

Avant de procéder au jumelage, assurez-vous que votre machine est connectée au WiFi en suivant les étapes précédentes. Pour jumeler votre Hobart AM16 à l'application SmartConnect :

Depuis le lave-vaisselle

1. Appuyez sur l'icône du menu pour accéder au menu de gestion de votre lave-vaisselle.
2. Sélectionnez « **Manager Menu** » (Menu de gestion) et entrez votre code NIP.
3. Faites défiler et sélectionnez « **WiFi** ».
4. Faites défiler et sélectionnez « **Access Code** » (Code d'accès).
5. Un code d'activation sera généré et affiché. Ce code est valable pendant 48 heures.

Depuis l'application

1. Appuyez sur le bouton « **+** » en bas de la liste des machines.
2. Saisissez le code d'activation qui se trouve dans le menu de gestion de l'écran tactile de la machine, puis appuyez sur « **Submit** » (Soumettre).
3. Sélectionnez votre fournisseur de services dans le menu déroulant.
4. Appuyez sur « **Finish** » (Terminé).

Votre machine apparaît alors dans la liste des machines sur l'écran d'accueil de l'application.

Pour plus d'informations sur SmartConnect, y compris les instructions d'utilisation, le dépannage de votre connexion WiFi et d'autres questions générales, consultez le guide d'aide et de FAQ sur SmartConnect à l'adresse www.itwfoodequipment.com/smartconnect365/help.

ENTRETIEN

⚠ AVERTISSEMENT : Débranchez l'alimentation électrique de la machine (à la fois le lave-vaisselle et le surpresseur, le cas échéant) et suivez les procédures de verrouillage/étiquetage. Assurez-vous que tous les circuits sont déconnectés.

BRAS DE LAVAGE

Les bras de lavage et de rinçage supérieurs et inférieurs (page 28, Fig. 24, 25) doivent tourner librement et continuer à tourner pendant quelques secondes après avoir été tournés à la main. Retirez toute obstruction causant un mauvais fonctionnement.

Si le bac ou le panier du filtre n'est pas correctement mis en place, des obstructions (telles que des particules d'aliments ou des os) peuvent boucher les buses du bras de lavage. Les bras de lavage sont facilement démontables pour le nettoyage.

Pour retirer le bras de lavage inférieur, dévissez le bouton à main et soulevez le bras de rinçage (Fig. 24). Le bras de lavage peut être soulevé une fois le bras de rinçage retiré.

Les bras supérieurs de lavage et de rinçage sont retirés en dévissant le bouton à main (Fig. 25) et en abaissant les deux bras ensemble. Veillez à ne pas faire tomber les bras.

MOTEUR(S)

Le moteur de la pompe de lavage, le moteur de la pompe de rinçage, le moteur de la pompe de vidange et le moteur du ventilateur (modèles « VL » uniquement) sont équipés de roulements à lubrification permanente et ne nécessitent aucun entretien de lubrification.

POMPES CHIMIQUES

Si l'unité est équipée de pompes chimiques de Hobart intégrées, inspectez les tubes chimiques tous les 6 mois et remplacez-les si nécessaire. Inspectez également les bouchons de bouteilles de produits chimiques et les tuyaux verticaux d'évacuation pour s'assurer qu'ils ne sont pas fissurés ni usés.

NETTOYAGE DES DÉFLECTEURS SUR LES MODÈLES AM16VLT-BAS, AM16VLT-ADV ET AM16SVLT

Les déflecteurs (supérieur et inférieur), situés sur la paroi arrière de l'intérieur de la machine (Fig. 26), doivent être nettoyés tous les 6 mois ou plus tôt si nécessaire.

⚠ AVERTISSEMENT : Débranchez l'alimentation électrique de la machine (à la fois le lave-vaisselle et le surpresseur, le cas échéant) et suivez les procédures de verrouillage/étiquetage. Assurez-vous que tous les circuits sont déconnectés.

1. Desserrez et retirez les écrous de chaque déflecteur et retirez les déflecteurs.
2. Des débris peuvent s'accumuler sur les surfaces des déflecteurs et doivent être lavés dans un évier avec un détergent doux et rincés.
3. Remettez les déflecteurs en place en utilisant les écrous retirés à l'étape 1.
4. Laissez la porte de la machine ouverte pour permettre à l'intérieur de s'aérer et de sécher.

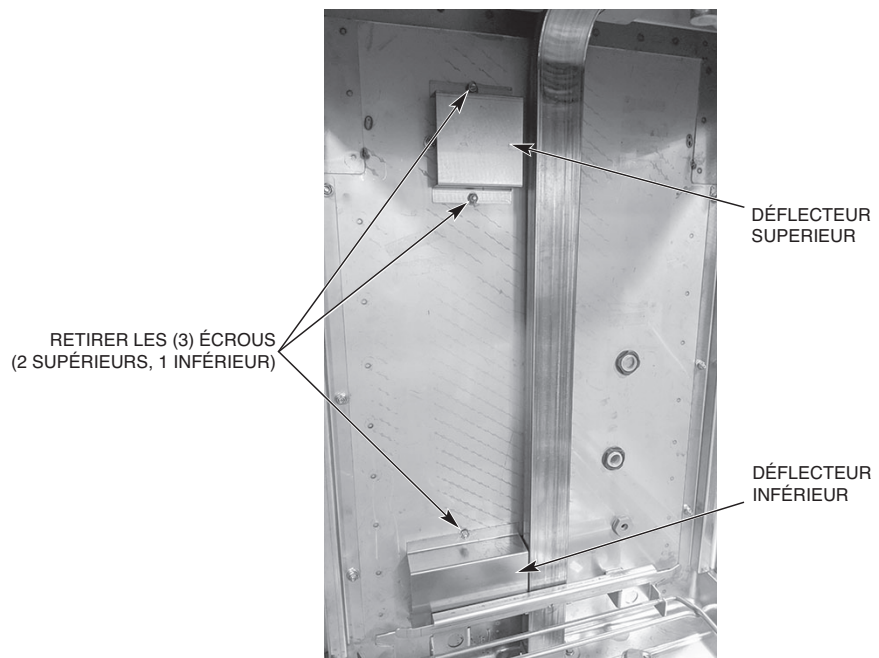


Fig. 26

PROBLÈMES ET SOLUTIONS

TABLEAU DES CODES D'ERREUR AVEC SOLUTIONS POSSIBLES

N° d'erreur	Texte à l'écran	Description de l'erreur	Problèmes et solutions
001	Booster temperature error. (Erreur de température du surpresseur.)	La température du surpresseur est de 239 °F/115 °C ou plus.	Appuyez sur le bouton d'alimentation et maintenez-le enfoncé pendant 5 secondes pour effacer l'erreur. La machine se vide et s'éteint. Si l'erreur persiste, contactez le service de Hobart.
002	Booster temperature error. (Erreur de température du surpresseur.)	La température du surpresseur est inférieure ou égale à 0 °C/32 °F.	Appuyez sur le bouton d'alimentation et maintenez-le enfoncé pendant 5 secondes pour effacer l'erreur. La machine se vide et s'éteint. Si l'erreur persiste, contactez le service de Hobart.
003	Booster temperature not reached during fill cycle. (La température du surpresseur n'est pas atteinte pendant le cycle de remplissage.)	Pendant le cycle de remplissage, la température du surpresseur n'a pas atteint le point de consigne dans le temps prédéterminé.	Appuyez sur le bouton ENTER pour effacer l'erreur. Si l'erreur persiste, contactez le service de Hobart.
004	Booster temperature not reached during wash cycle. (La température du surpresseur n'est pas atteinte pendant le cycle de lavage.)	Pendant le cycle de lavage, la température du surpresseur n'a pas atteint le point de consigne dans le temps prédéterminé.	Appuyez sur le bouton ENTER pour effacer l'erreur. Si l'erreur persiste, contactez le service de Hobart.
006	Wash temperature error. (Erreur de température de lavage.)	La température de la cuve de lavage est égale ou supérieure à 115 °C/239 °F.	Appuyez sur le bouton d'alimentation et maintenez-le enfoncé pendant 5 secondes pour effacer l'erreur. La machine se vide et s'éteint. Si l'erreur persiste, contactez le service de Hobart.
007	Wash temperature error. (Erreur de température de lavage.)	La température de la cuve de lavage est inférieure ou égale à 0 °C/32 °F.	Appuyez sur le bouton d'alimentation et maintenez-le enfoncé pendant 5 secondes pour effacer l'erreur. La machine se vide et s'éteint. Si l'erreur persiste, contactez le service de Hobart.
008	Wash tank temperature not reached during fill cycle. (La température du réservoir de lavage n'est pas atteinte pendant le cycle de remplissage.)	Pendant le cycle de remplissage, la température de la cuve de lavage n'a pas atteint le point de consigne dans le délai prédéterminé.	Appuyez sur le bouton ENTER pour effacer l'erreur. Si l'erreur persiste, contactez le service de Hobart.
009	Wash tank temperature not reached during wash cycle. (La température de la cuve de lavage n'est pas atteinte pendant le cycle de lavage.)	Pendant le cycle de lavage, la température de la cuve de lavage n'a pas atteint le point de consigne dans le délai prédéterminé.	Appuyez sur le bouton ENTER pour effacer l'erreur. Si l'erreur persiste, contactez le service de Hobart.
014	Booster pressure sensor failure. (Défaillance du capteur de pression du surpresseur.)	Le niveau d'eau maximum du surpresseur a été dépassé. La machine ne fonctionne pas.	Appuyez sur le bouton d'alimentation et maintenez-le enfoncé pendant 5 secondes pour effacer l'erreur. La machine se vide et s'éteint. Si l'erreur persiste, contactez le service de Hobart.

N° d'erreur	Texte à l'écran	Description de l'erreur	Problèmes et solutions
015	Booster pressure sensor failure. (Défaillance du capteur de pression du surpresseur.)	Le niveau d'eau minimum du surpresseur n'a pas été atteint. La machine ne fonctionne pas.	Appuyez sur le bouton d'alimentation et maintenez-le enfoncé pendant 5 secondes pour effacer l'erreur. La machine se vide et s'éteint. Si l'erreur persiste, contactez le service de Hobart.
016	Wash tank pressure sensor failure. (Défaillance du capteur de pression du réservoir de lavage.)	Le niveau d'eau maximum du réservoir de lavage a été dépassé. La machine ne fonctionne pas.	Appuyez sur le bouton d'alimentation et maintenez-le enfoncé pendant 5 secondes pour effacer l'erreur. La machine se vide et s'éteint. Si l'erreur persiste, contactez le service de Hobart.
017	Wash tank pressure sensor failure. (Défaillance du capteur de pression du réservoir de lavage.)	Le niveau d'eau minimum du réservoir de lavage n'a pas été atteint. La machine ne fonctionne pas.	Appuyez sur le bouton d'alimentation et maintenez-le enfoncé pendant 5 secondes pour effacer l'erreur. La machine se vide et s'éteint. Si l'erreur persiste, contactez le service de Hobart.
018	Wash tank water level is too high. (Le niveau d'eau du réservoir de lavage est trop élevé.)	Le niveau d'eau du réservoir de lavage est supérieur à la limite supérieure.	Appuyez sur le bouton ENTER si elle s'affiche pour effacer l'erreur. Si le bouton ENTER ne s'affiche pas, appuyez sur le bouton d'alimentation pendant 5 secondes. L'appareil se vide et s'éteint. Si l'erreur persiste, contactez le service de Hobart.
019	Tank strainer blocked. (Le filtre du réservoir est bloqué.) Retirez le filtre, nettoyez-le et remettez-le en place.	Le filtre du réservoir est bloqué.	Retirez, nettoyez et remplacez le bac à filtre. Appuyez sur le bouton ENTER pour effacer l'erreur. La machine se vide et s'éteint si le niveau d'eau est bas. Si le niveau d'eau est revenu à la normale, la machine s'éteint, mais ne se vide pas. Mettez la machine en marche pour continuer à fonctionner.
020	Wash tank pressure sensor error. (Erreur du capteur de pression du réservoir de lavage.) Vidangez et redémarrez la machine.	Le niveau d'eau du réservoir de lavage n'a pas augmenté de la quantité prévue après avoir été rempli par le cycle de rinçage.	Appuyez sur le bouton ENTER pour effacer l'erreur. La machine se vide et efface l'erreur. S'assurer que le réservoir est propre. Si l'erreur persiste, contactez le service de Hobart.
021	Drain hose is clogged. (Le tuyau de vidange est bouché.) Nettoyez le tuyau de vidange et vidangez à nouveau la machine.	Une quantité importante d'eau reste dans la cuve de lavage après le cycle de vidange.	Assurez-vous que la machine est hors tension et que l'eau de lavage a refroidi. Vérifiez que le tuyau vertical et le fond de la cuve de lavage sont exempts de débris. Nettoyez le tuyau de vidange et videz la machine. Vérifiez que le tuyau de vidange n'est pas plié et qu'il est correctement installé. Si l'erreur reste affichée à l'écran, appuyez sur le bouton d'alimentation et maintenez-le enfoncé pendant 5 secondes pour effacer l'erreur. La machine se vide et s'éteint.

N° d'erreur	Texte à l'écran	Description de l'erreur	Problèmes et solutions
022	Drain hose is clogged. (Le tuyau de vidange est bouché.) Nettoyez le tuyau de vidange.	Pendant le cycle de lavage, le niveau d'eau n'est pas maintenu à un niveau normal.	Assurez-vous que la machine est hors tension et que l'eau de lavage a refroidi. Vérifiez que le tuyau vertical et le fond de la cuve de lavage sont exempts de débris. Nettoyez le tuyau de vidange et videz la machine. Vérifiez que le tuyau de vidange n'est pas plié et qu'il est correctement installé. Si l'erreur reste à l'écran, appuyez sur le bouton ENTER pour l'effacer.
023	Fill system timeout, inspect incoming water line. (Le système de remplissage est en panne, inspectez la ligne d'arrivée d'eau.)	La vanne de remplissage a été active pendant plus que le temps de remplissage maximal autorisé et le niveau d'eau du réservoir de lavage n'a pas été atteint. Cette erreur ne se produit que si l'appareil est équipé du système de remplissage rapide.	Assurez-vous que l'alimentation en eau est ouverte et que le tuyau de remplissage n'est pas plié. Vérifiez que la pression de l'eau est de 15 à 65 psi. Appuyez sur le bouton ENTER pour effacer l'erreur. Si l'erreur persiste, contactez le service de Hobart.
029	Program interrupted. (Programme interrompu.) Fermez la porte.	La porte est ouverte pendant l'opération de la machine.	Fermez la porte et assurez-vous que la porte est bien en place. L'opération en cours reprend. Si l'erreur persiste, contactez le service de Hobart.
032	Fill error, inspect incoming water line. (Erreur de remplissage, inspectez la ligne d'eau entrante.)	Le niveau d'eau du surpresseur n'a pas atteint le niveau approprié dans le temps imparti.	Assurez-vous que l'alimentation en eau est ouverte et que le tuyau de remplissage n'est pas plié. Vérifiez que la pression de l'eau est de 15 à 65 psi. Appuyez sur le bouton ENTER pour effacer l'erreur. Si l'erreur persiste, contactez le service de Hobart.
033	Fill valve error. (Erreur de la valve de remplissage.)	La vanne de remplissage a été active pendant plus que le temps de remplissage maximum autorisé.	Assurez-vous que l'alimentation en eau est ouverte et que le tuyau de remplissage n'est pas plié. Vérifiez que la pression de l'eau est de 15 à 65 psi. Appuyez sur le bouton ENTER pour effacer l'erreur. Si l'erreur persiste, coupez l'alimentation en eau et contactez le service après-vente de Hobart.
035	Ensure tank strainer is locked in place. (Assurez-vous que le filtre du réservoir est verrouillé en place.)	Le panier à déchets interne n'est pas inséré, ou il n'est pas en position de verrouillage.	Assurez-vous que le panier à déchets est correctement installé et en position verrouillée. La flèche du panier à déchets doit être alignée avec la flèche du plateau du filtre. Si le panier est correctement installé, l'erreur s'efface automatiquement. (Voir page 23, Fig. 19)
038	Incoming power to machine is too high. (La tension d'alimentation de la machine est trop élevée.) La machine est hors tension.	La tension entrante est supérieure à la tension maximale requise pour la machine.	La tension entrante doit être égale ou inférieure à la tension requise pour la machine (voir la plaque signalétique de la machine). Coupez l'alimentation du disjoncteur et assurez-vous que l'unité est connectée à la tension d'alimentation appropriée. Appuyez sur Enter (Entrer) pour effacer l'erreur.

N° d'erreur	Texte à l'écran	Description de l'erreur	Problèmes et solutions
039	Fill cycle interrupted. (Cycle de remplissage interrompu.) Fermez la porte.	La porte est ouverte pendant le cycle de remplissage.	Fermez la porte et assurez-vous que la porte est bien en place. Le cycle de remplissage reprend. Si l'erreur persiste, contactez le service de Hobart.
049	Communication between the controls has been interrupted. (La communication entre les contrôles a été interrompue.)	Interruption de la communication entre la carte de contrôle et l'écran tactile.	La communication entre les commandes devrait être automatiquement rétablie. Si le problème persiste, contactez le service de Hobart.
052	Drain hose is clogged. (Le tuyau de vidange est bouché.)	Le niveau d'eau du réservoir de lavage est supérieur à la limite supérieure.	Assurez-vous que la machine est hors tension et que l'eau de lavage a refroidi. Vérifiez que le tuyau vertical et le fond de la cuve de lavage sont exempts de débris. Nettoyez le tuyau de vidange et videz la machine. Vérifiez que le tuyau de vidange n'est pas plié et qu'il est correctement installé. Si l'erreur reste affichée à l'écran, appuyez sur le bouton d'alimentation et maintenez-le enfoncé pendant 5 secondes pour effacer l'erreur. La machine se vide et s'éteint.
054	ASR strainer basket not detected. (Le panier du filtre RAS n'a pas été détecté.) Placez le panier filtrant RAS dans la boîte RAS.	Le panier RAS n'est pas détecté.	Assurez-vous que le panier du filtre RAS est correctement installé. Si le panier est correctement installé, l'erreur s'efface automatiquement. Pour faire fonctionner la machine sans RAS, appuyez sur le bouton ENTER pour acquitter l'erreur pendant un cycle. Si l'erreur persiste, contactez le service de Hobart.
057	Wash tank is filling. (Le réservoir de lavage se remplit.) Le cycle commencera lorsque l'eau sera remplie.	Le niveau d'eau du réservoir de lavage est bas au début du cycle de lavage.	La machine se remplit automatiquement pendant que l'erreur se produit. Une fois le niveau d'eau correct atteint, le cycle de lavage commence.
059	Cloud connection not available. (La connexion au nuage n'est pas disponible.)	Si le WiFi est connecté, les données ne peuvent pas être envoyées sur le nuage.	Tapez sur AIDE dans l'application Smart Connect et consultez le dépannage dans la FAQ pour obtenir des conseils.
070	Minimum wash temperature not reached. (La température minimale de lavage n'est pas atteinte.)	La température de lavage n'a pas atteint le point de consigne minimum requis.	Appuyez sur le bouton ENTER pour effacer l'erreur. Si l'erreur persiste, contactez le service de Hobart.
071	Minimum rinse temperature not reached. (La température minimale de rinçage n'est pas atteinte.)	La température de rinçage n'a pas atteint le point de consigne minimum requis.	Appuyez sur le bouton ENTER pour effacer l'erreur. Si l'erreur persiste, contactez le service de Hobart.
074	Detergent empty. (Détergent vide.) Refill detergent.	Le détergent n'a pas été détecté pendant le nombre défini de cycles consécutifs.	Assurez-vous que le détergent est présent dans la bouteille et que le bouchon et le tube sont correctement fixés à la bouteille. Remplacez la bouteille de détergent si elle est vide. Appuyez sur le bouton ENTER pour amorcer la pompe à détergent. Répétez l'opération si nécessaire.

N° d'erreur	Texte à l'écran	Description de l'erreur	Problèmes et solutions
075	Rinse aid empty. (Le produit de rinçage est vide.) Remplissez le produit de rinçage.	Le produit de rinçage n'a pas été détecté pendant le nombre défini de cycles consécutifs.	Assurez-vous que le produit de rinçage est présent dans la bouteille et que le bouchon et le tube sont bien fixés à la bouteille. Remplacez la bouteille de produit de rinçage si elle est vide. Appuyez sur le bouton ENTER pour amorcer la pompe du produit de rinçage. Répétez l'opération si nécessaire.
076	Sanitizer empty. (Agent assainissant vide.) Refill sanitizer.	L'agent assainissant n'a pas été détecté pendant le nombre défini de cycles consécutifs.	Assurez-vous que l'agent assainissant est présent dans la bouteille et que le bouchon et le tube sont bien fixés à la bouteille. Remplacez la bouteille d'agent assainissant si elle est vide. Appuyez sur le bouton ENTER pour amorcer la pompe à agent assainissant. Répétez l'opération si nécessaire.
077	Detergent empty. (Détergent vide.) Machine verrouillée.	Le détergent n'a pas été détecté pendant trois cycles consécutifs... La machine sera verrouillée jusqu'à ce que le détergent soit remplacé.	Assurez-vous que le détergent est présent dans la bouteille et que le bouchon et le tube sont correctement fixés à la bouteille. Remplacez la bouteille de détergent si elle est vide. Appuyez sur le bouton ENTER pour amorcer la pompe à détergent. Répétez l'opération si nécessaire.
079	Sanitizer empty. (Agent assainissant vide.) Machine verrouillée.	L'agent assainissant n'a pas été détecté pendant trois cycles consécutifs. La machine sera verrouillée jusqu'à ce que le détergent soit remplacé.	Assurez-vous que l'agent assainissant est présent dans la bouteille et que le bouchon et le tube sont bien fixés à la bouteille. Remplacez la bouteille d'agent assainissant si elle est vide. Appuyez sur le bouton ENTER pour amorcer la pompe à agent assainissant. Répétez l'opération si nécessaire.
080	Delime required. (Détartrage nécessaire.) Lancez le cycle de détartrage.	Si le verrouillage du détartrage est activé, la machine se verrouillera en raison du rappel de détartrage ignoré 10 fois.	Appuyez sur le bouton ENTER et lancez un cycle de détartrage pour réinitialiser le rappel de détartrage.
081	Final rinse temperature too high. (La température du rinçage final est trop élevée.)	La température du rinçage final est de 115 °C/239 °F ou plus.	Appuyez sur le bouton d'alimentation et maintenez-le enfoncé pendant 5 secondes pour effacer l'erreur. La machine se vide et s'éteint. Si l'erreur persiste, contactez le service de Hobart.
082	Final rinse temperature too low. (La température du rinçage final est trop basse.)	La température du rinçage final est de 0 °C/32 °F ou moins.	Appuyez sur le bouton d'alimentation et maintenez-le enfoncé pendant 5 secondes pour effacer l'erreur. La machine se vide et s'éteint. Si l'erreur persiste, contactez le service de Hobart.
083	Minimum final rinse temperature not reached. (La température minimale de rinçage final n'est pas atteinte.)	La température de rinçage final n'a pas atteint la température minimale de rinçage final après trois cycles consécutifs.	Appuyez sur le bouton ENTER pour effacer l'erreur. Si l'erreur persiste, contactez le service de Hobart.

N° d'erreur	Texte à l'écran	Description de l'erreur	Problèmes et solutions
084	Minimum final rinse temperature not reached. (La température minimale de rinçage final n'est pas atteinte.) Machine verrouillée.	Si le verrouillage du rinçage final est activé et que la température de rinçage final n'a pas atteint la température minimale de rinçage final après trois cycles consécutifs, la machine se verrouille.	Appuyez sur le bouton d'alimentation et maintenez-le enfoncé pendant 5 secondes pour effacer l'erreur. La machine se vide et s'éteint. Si l'erreur persiste, contactez le service de Hobart.
085	Wash tank overtemp tripped. (La surchauffe du réservoir de lavage s'est déclenchée.)	La surchauffe du réservoir de lavage a été déclenchée.	L'erreur ne peut pas être effacée tant que la surchauffe n'a pas été réinitialisée. Contactez le service de l'entretien de Hobart.
086	Booster overtemp tripped. (La surchauffe du surpresseur s'est déclenchée.)	La surchauffe du surpresseur a été déclenchée.	L'erreur ne peut pas être effacée tant que la surchauffe n'a pas été réinitialisée. Contactez le service de l'entretien de Hobart.
087	Minimum final rinse temperature not reached after repeating cycle. (La température minimale de rinçage final n'est pas atteinte après avoir répété le cycle.)	La température du rinçage final est inférieure au point de réglage.	Appuyez sur le bouton d'alimentation et maintenez-le enfoncé pendant 5 secondes pour effacer l'erreur. La machine se vide et s'éteint. Si l'erreur persiste, contactez le service de Hobart.
088	Wash tank heater contactor error. (Erreur du contacteur de chauffage du réservoir de lavage.) Contactez le service après-vente.	Le chauffage du réservoir de lavage reste allumé tout en ignorant l'ordre du logiciel de l'éteindre.	La machine effectue un cycle de remplissage et de vidange pour protéger l'élément chauffant. Cette erreur ne peut pas être corrigée par l'utilisateur. Coupez l'alimentation du disjoncteur et contactez le service de Hobart.
089	Booster heater contactor error. (Erreur du contacteur du chauffage d'appoint.) Contactez le service après-vente.	Le chauffage d'appoint reste allumé tout en ignorant l'ordre du logiciel de l'éteindre.	La machine effectue un cycle de remplissage et de vidange pour protéger l'élément chauffant. Cette erreur ne peut pas être corrigée par l'utilisateur. Coupez l'alimentation du disjoncteur et contactez le service de Hobart.
090	Temperature not reached. (La température n'est pas atteinte.) Vidangez et redémarrez la machine. Si nécessaire, contactez le technicien du service après-vente.	La température de lavage n'a pas atteint le point de consigne minimum requis dans le délai imparti (modèles SCB et SVLT uniquement).	Appuyez sur le bouton d'alimentation et maintenez-le enfoncé pendant 5 secondes pour effacer l'erreur. La machine se vide et s'éteint. Si l'erreur persiste, contactez le service de Hobart.

MODULE DE COMMUNICATION

For AM16SCB models equipped with the sPod® embedded communication module, the unit will automatically connect to a SiteSage® gateway and begin transmitting relevant data for remote monitoring at start-up. If problems arise, contact the support group for your communication system supplier.

ANOMALIE	CAUSE ÉVENTUELLE
Pas de fonctionnement de la machine.	<ol style="list-style-type: none"> 1. Machine éteinte, mettre la machine en marche. 2. Fusible grillé ou disjoncteur déclenché au niveau de l'alimentation électrique.
La vaisselle n'est pas propre.	<ol style="list-style-type: none"> 1. Perte de pression d'eau due à l'obstruction de la pompe. ▲ AVERTISSEMENT : Débranchez l'alimentation électrique (du lave-vaisselle et du surpresseur, le cas échéant) et videz le réservoir. Retirez le filtre et le tuyau vertical et vérifiez que la pompe et la prise d'eau de vidange ne sont pas obstruées. 2. Température de l'eau inadéquate. Contactez le service après-vente pour un réglage ou une réparation. 3. Dépôts minéraux excessifs dans tout le système de lavage et de rinçage. Un détartrage peut être nécessaire, voir page 28. 4. Vérifiez les bras de lavage et de rinçage pour vous assurer qu'ils ne sont pas obstrués et qu'ils tournent correctement. 5. Les filtres sont obstrués, ce qui entraîne une alimentation en eau insuffisante de la pompe; nettoyez la machine conformément au paragraphe Nettoyage, page 28. 6. Assurez-vous que le distributeur de produits chimiques fonctionne correctement. 7. Excès de saleté; frottez les plats avant le cycle 8. Chargement incorrect de la grille; reportez-vous à la section Préparation et lavage de la vaisselle, pages 23, 25.
Taches sur l'argenterie, les verres et la vaisselle.	<ol style="list-style-type: none"> 1. Des grilles mal chargées. 2. Température de l'eau de rinçage incorrecte. 3. Perte de pression d'eau due à l'obstruction de la pompe. ▲ AVERTISSEMENT : Débranchez l'alimentation électrique (du lave-vaisselle et du surpresseur, le cas échéant) et videz le réservoir. Vérifiez qu'il n'y a pas d'obstruction à l'entrée de la pompe. 4. Eau excessivement dure. 5. Détergent inadapté au type d'eau. 6. Additif de rinçage incorrect pour le type d'eau. 7. Concentration incorrecte du détergent, de l'additif de rinçage et/ou de l'agent assainissant. 8. Salissures excessives; frottez les plats avant le cycle. Assurez-vous que la cuve de lavage est vidée et nettoyée comme il se doit.
Vapeur ou vapeur d'eau excessive après la fin du cycle – Modèles AM16VL-BAS, AM16VLT-BAS, AM16VL-ADV, AM16VLT-ADV et AM16SVLT uniquement.	<ol style="list-style-type: none"> 1. L'eau froide entrante est trop chaude. Contactez le service après-vente de Hobart pour régler la durée du cycle de condensation.
Rinçage inadéquat ou température trop basse de l'eau de rinçage.	<ol style="list-style-type: none"> 1. Dépôts minéraux excessifs dans le système de lavage et de rinçage. Un détartrage peut être nécessaire, voir page 28. 2. Pour les machines chaudes avec ventilation, la température de l'eau entrant dans le surpresseur doit être inférieure à 43 °C/110 °F. Pour les machines sans ventilation, la température de l'eau entrant dans la machine doit être inférieure à 13 °C/55 °F. La machine prolongera automatiquement le temps de lavage jusqu'à ce que le surpresseur se réchauffe. 3. Assurez-vous que les bras de rinçage tournent librement.

ANOMALIE	CAUSE ÉVENTUELLE
Une vanne qui fuit.	<ol style="list-style-type: none"> 1. Si le raccord du tuyau à la vanne fuit, vérifiez le joint du tuyau pour vous assurer qu'il est bien en place et qu'il n'est ni usé ni coupé. 2. Si l'électrovanne fonctionne mal (fuites, absence d'ouverture ou de fermeture), contactez le service de Hobart.
Faible ou pas de chauffage du réservoir de lavage.	<ol style="list-style-type: none"> 1. Veillez à ce que le niveau d'eau soit suffisant dans le réservoir. 2. Assurez-vous que l'élément chauffant est propre et exempt de calcaire excessif.
Pas de remplissage ou remplissage lent.	<p>Remarque : Le temps de remplissage peut atteindre 25 minutes.</p> <ol style="list-style-type: none"> 1. L'alimentation en eau est peut-être coupée; vérifiez que la vanne d'alimentation en eau chaude est ouverte. 2. Le filtre est sale au niveau du raccord du tuyau de remplissage, ce qui réduit le débit d'eau. Coupez l'alimentation en eau chaude, retirez le tuyau de remplissage et nettoyez le filtre. Remontez le tout.
Débordement du RAS (si la machine est équipée du RAS)	<ol style="list-style-type: none"> 1. Assurez-vous que la ligne de drainage n'est pas bouchée. 2. Assurez-vous que le panier RAS est propre et correctement installé.
Les produits chimiques ne sont pas distribués (sur les machines équipées de pompes chimiques de Hobart).	<ol style="list-style-type: none"> 1. Assurez-vous que les bouteilles de produits chimiques sont pleines. 2. Assurez-vous que les bouchons des bouteilles de produits chimiques sont bien fixés. 3. Inspectez les tuyaux et assurez-vous qu'ils sont bien fixés aux bouchons des bouteilles. 4. Vérifiez que les tuyaux ne sont pas tordus ni entortillés. 5. Vérifiez que le tuyau vertical d'évacuation et les tuyaux sont bien insérés dans la bouteille de produit chimique. 6. Amorcez manuellement les produits chimiques. En cas d'échec, contactez le service de Hobart.

SERVICE

PIÈCES CONSOMMABLES DE L'AM16

Les pièces du lave-vaisselle AM16 ci-dessous sont consommables par nature et peuvent ne pas être couvertes par la garantie de Hobart. Pour consulter la garantie produit de Hobart, reportez-vous à <https://www.hobartservice.com/service-plans/hobart-product-warranty>.

LISTE DES PIÈCES CONSOMMABLES DE L'AM16

Numéro de pièce	Description	Qté.	Type de machine
00-443581	Connecteur USB	1	Tous
00-918049	Bouchon du bras de levage	2	Tous
00-893834	Joint, couvercle supérieur, grand AM	3	Grand
00-975055	Moyeu, bras de lavage	2	Tous
00-886610	Trousse, bouchon de bras de lavage	1	Tous
00-562078	Bague de retenue	2	Tous
00-185112	Tuyau vertical (détartrage)	1	Advansys / ASR
00-185105-00029	Tuyau noir, 3,7 m (144 po)	1	Advansys / ASR
00-13156-00001	Collier de serrage (tuyau à ressort)	AR	Advansys / ASR
00-949651-00001	Trousse de tube de compression, pompe chimique (agent assainissant, produit de rinçage, détergent) (avec colliers de serrage)	3	SCB/SVLT
00-185105-00002	Tuyau, rouge, 3,7 m (144 po), 0,6 cm (1/4 po)	1	SCB
00-185105-00006	Tuyau, bleu, 3,7 m (144 po), 0,6 cm (1/4 po)	1	SCB
00-185105-00004	Tuyau, transparent, 3,7 m (144 po), 0,6 cm (1/4 po)	1	SCB
00-185105-00013	Tuyau, transparent, 15 cm (6 po)	2	SCB
00-185105-00024	Tuyau, transparent, 1,68 m (66 po)	1	SCB
00-562915	Trousse, bouchon chimique de remplacement	1	SCB
00-975024	Assemblage, filtre d'aspiration	AR	SCB
00-185111-00001	Collier de serrage No 2	AR	SCB
00-463293	Tube, vue	1	SVLT
00-185111-00002	Collier de serrage, tuyau 7/16	AR	SVLT
00-474800	Grille à 6 compartiments	AR	Grand
00-315191	Grille égouttoir	AR	Tous
00-315193	Grille combinée	AR	Tous

Contactez votre bureau local de service agréé de Hobart pour toute réparation ou tout réglage nécessaire sur cet équipement. Des contrats de service à long terme sont disponibles pour cet appareil et d'autres produits de Hobart. Appelez le 1-888-4HOBART pour un service de Hobart 24 heures sur 24.

LAVAVAJILLAS AM16



MODELOS

AM16 - BAS
AM16T - BAS

AM16VL - BAS
AM16VLT - BAS

AM16 - ASR
AM16T - ASR

AM16VL - ADV
AM16VLT - ADV

AM16SVLT

AM16SCB

AM16VLSCB



701 S. RIDGE AVENUE
TROY, OHIO 45374-0001

937 332-3000

www.hobartcorp.com

Modelo AM16-BAS



Modelo AM16T-BAS



Modelo AM16VL-BAS



Modelo AM16VLT-BAS



Modelo AM16-ASR



Modelo AM16T-ASR



Modelo AM16VL-ADV



Modelo AM16VLT-ADV



Modelo AM16SCB



ÍNDICE

GENERAL	4
INSTALACIÓN	5
Desembalaje	5
Códigos de instalación	5
Ubicación	6
Instalación en esquina	7
Conexiones de las tuberías	8
Requisitos del agua	8
Conexión del suministro de agua	9
Conexión del desagüe	10
Requisitos de ventilación	11
Cálculo del flujo de los gases de escape	11
Tabla A: Disipación de calor	12
Conexiones eléctricas	12
Ajuste del voltaje (sólo máquinas de 380 a 415 voltios)	14
Rotación del motor (sólo máquinas de 480 voltios y 50 hertzios)	14
Conexiones de equipos	15
Control del ventilador de la ventilación	15
Instalación del dispensador de detergente, abrillantador y desinfectante suministrado por Hobart	15
Programación de la bomba de productos químicos (para máquinas equipadas con bombas de productos químicos de Hobart)	15
Cebado de bomba de productos químicos	19
Pruebas de desinfección (máquinas de desinfección química)	19
Dispensadores de detergente y abrillantador (para máquinas con bombas químicas suministradas por terceros)	20
Instalación de las tuberías	20
Dispensador de detergente	20
Dispensador de abrillantador	20
Dispensadores de detergente, abrillantador y desinfectante - conexiones de equipos	21
Dispensador de detergente	21
Dispensador de abrillantador	22
FUNCIONAMIENTO	23
Preparación	23
Lavado	25
Tiempo de condensación recomendado (basado en la temperatura del agua entrante)	26
LIMPIEZA	28
Instrucciones para eliminar el sarro	28
Proceso manual para retirar sarro (modelos AM16-BAS, AM16T-BAS, AM16VL-BAS, AM16VLT-BAS, AM16SCB y AM16VLSCB)	28
Proceso automático para retirar el sarro (modelos AM16-ASR, AM16T-ASR, AM16VL-ADV, AM16VLT-ADV y AM16SVLT)	29
Qué hacer y qué no hacer con su lavavajillas nuevo de Hobart	28
PROGRAMACIÓN	31
Menú administrador	31
Parámetros del menú administrador	31
Aplicación Hobart SmartConnect	35
Conexión	35
MANTENIMIENTO	37
Brazos de lavado	37
Motor(es)	37
Bombas de productos químicos	37
Limpieza de deflectores en los modelos AM16VLT-BAS, AM16VLT-ADV y AM16SVLT	37
SOLUCIÓN DE PROBLEMAS	39
Tabla de códigos de error con posibles soluciones	39
Módulo de comunicación	45
SERVICIO	47
Piezas fungibles del AM16	47

Instalación, funcionamiento y cuidado del LAVAVAJILLAS AM16

GUARDE ESTAS INSTRUCCIONES

GENERAL

Modelos de lavavajillas AM16-BAS, AM16T-BAS, AM16VL-BAS, AM16VLT-BAS, AM16-ASR, AM16T-ASR, AM16VL-ADV, AM16VLT-ADV, AM16SVLT, AM16SCB, AM16VLSCB puede configurarse tanto para el funcionamiento en línea recta como en esquina. Los lavavajillas AM16-BAS, AM16T-BAS, AM16VL-BAS, AM16VLT-BAS, AM16-ASR, AM16T-ASR, AM16VL-ADV, AM16VLT-ADV, AM16SVLT, AM16SCB, AM16VLSCB se envían de fábrica en configuración en línea recta. Las máquinas de configuración en línea recta pueden convertirse fácilmente en máquinas de esquina.

Los lavavajillas AM16-BAS, AM16T-BAS, AM16VL-BAS, AM16VLT-BAS, AM16-ASR, AM16T-ASR, AM16VL-ADV, AM16VLT-ADV, AM16SVLT están diseñados para funcionar únicamente en modo de desinfección con agua caliente (Designado por los requisitos de temperatura de la NSF de 65,5 °C (150 °F) de lavado y 82,2 °C (180 °F) de enjuague. Estas temperaturas se encuentran en la etiqueta situada bajo los controles de la pantalla táctil en la parte inferior de la máquina).

Los lavavajillas AM16SCB, AM16VLSCB están diseñados para funcionar únicamente en modo de desinfección química (designado por los requisitos de temperatura de la NSF de 49 °C (120 °F) de lavado y 49 °C (120 °F) de enjuague. Estas temperaturas se encuentran en la etiqueta situada bajo los controles de la pantalla táctil en la parte inferior de la máquina).

El número de serie se encuentra en la etiqueta de datos de la máquina situada en la parte inferior de la pata delantera derecha de la máquina.

Las bombas de productos químicos suministradas por Hobart se suministran de forma estándar con todos los modelos AM16SVLT, AM16SCB y AM16VL-SCB. Las bombas de productos químicos están disponibles como un kit de accesorios (instalados en el lugar) para todos los demás modelos o póngase en contacto con su representante de productos químicos para un sistema de alimentación de productos químicos para ser suministrado e instalado por terceros.

El motor de la bomba de lavado tiene una potencia nominal de 2 caballos de fuerza y cuenta con protección térmica contra sobrecargas.

La línea de llenado incluye un espacio de aire en todos los modelos para evitar cualquier flujo inverso de agua del lavavajillas al suministro de agua potable. La unidad, una vez encendida, llena el tanque de lavado hasta el nivel adecuado y deja de llenarlo automáticamente una vez alcanzado el nivel. Un transductor de presión lee el nivel de agua en el tanque de lavado y corta el suministro de calor si el nivel de agua es demasiado bajo. Cuando el agua vuelve al nivel adecuado, el circuito de calefacción vuelve a funcionar.

El desagüe automático y el sistema de enjuague con bomba son estándar en todos los modelos.

Todos los modelos de desinfección de agua caliente están equipados con un sobrecalentador de agua eléctrico de 7,1 kW montado en la estructura. El sobrecalentador de agua está diseñado para mantener una temperatura mínima de enjuague final de 82,2 °C (180 °F) siempre que el agua entrante sea de al menos 43,3 °C (110 °F). Para los modelos sin ventilación AM16VL-BAS, AM16VLT-BAS, AM16VL-ADV, AM16VLT-ADV y AM16SVLT, el sobrecalentador de agua está diseñado para mantener una temperatura mínima de enjuague final de 82,2 °C (180 °F) con agua fría entrante de al menos 12,8 °C (55 °F).

Los modelos AM16SCB y AM16VLSCB se suministran con un sobrecalentador de agua eléctrico de 4,3 kW. El sobrecalentador de agua está diseñado para mantener una temperatura mínima de enjuague final de 49 °C (120 °F) siempre que el agua entrante sea de al menos 32,2 °C (90 °F) (se recomiendan 49 °C (120 °F)).

Los modelos sin ventilación AM16VL-BAS, AM16VLT-BAS, AM16VL-ADV, AM16VLT-ADV y AM16VLSCB no requieren una campana de ventilación. Utilizan un sistema de condensación interno para minimizar el vapor de agua que se escapa de la unidad durante la carga y la descarga. Los modelos de alta temperatura AM16- BAS, AM16T-BAS, AM16-ASR, AM16T-ASR suelen requerir una campana o ventilación sobre el lavavajillas para cumplir con los códigos locales. Las máquinas de desinfección con químicos o los lavavajillas de calor eléctrico de bajo consumo pueden no requerir la ventilación individual de la máquina si el local está ampliamente ventilado. Consulte las páginas 11 - 12 para conocer los requisitos de ventilación y de la campana. Verifique con los funcionarios del código local para la determinación final.

Los modelos AM16-ASR, AM16T-ASR, AM16VL-ADV, AM16VLT-ADV y AM16SVLT están equipados con un sistema de eliminación automática de suciedad (ASR por su sigla en inglés) El sistema ASR redirige automáticamente la suciedad restante por los alimentos después de raspar previamente en una cesta de residuos externa situada en el lado derecho de la máquina (accesorio disponible para la instalación en el lado izquierdo). Esto ayuda a mantener el agua de lavado más limpia, reduciendo la frecuencia de los cambios de agua. Así se ahorra agua, energía y productos químicos. Las máquinas de la serie AM16-ASR sólo están disponibles en modo de desinfección con agua caliente.

Los modelos AM16VL-ADV, AM16VLT-ADV y AM16SVLT requieren solo un suministro de agua fría y vienen equipados con un sistema de recuperación de energía del agua de drenaje que incluye el templado del agua de desagüe. Utilizan un intercambiador de calor para capturar la energía del agua de desagüe y precalentar el agua fría entrante para el enjuague final. AM16VL-ADV, AM16VLT-ADV y AM16SVLT también están equipados con un sistema ASR.

INSTALACIÓN

DESEMBALAJE

Inmediatamente después de desembalar el lavavajillas, verifique si hay posibles daños debido a la transportación. Si detecta alguno, guarde el material de embalaje y comuníquese con el transportista dentro de los 5 días siguientes al despacho.

NOTA: Tenga cuidado al utilizar un montacargas para retirar la máquina de la tarima. NO utilice el asa de elevación de la puerta para mover la máquina, ya que causará problemas de elevación de la puerta.

Antes de instalar, verifique que el servicio eléctrico coincida con las especificaciones de la placa de datos de la máquina. La placa de datos del lavavajillas se encuentra en la esquina inferior derecha de la máquina.

CÓDIGOS DE INSTALACIÓN

La instalación debe realizarse de acuerdo con los códigos estatales y locales y el Código Eléctrico Nacional ANSI/NFPA70 (última edición). En Canadá, el código de instalación es el CSA 22.1 (última edición).

UBICACIÓN

Antes de finalizar la ubicación, asegúrese de que se haya tenido en cuenta el conducto eléctrico, el suministro de agua, la conexión del desagüe, la ventilación (si es aplicable), la tabulación (si es aplicable), el llenado del alimentador de productos químicos (si es aplicable) y el espacio libre adecuado para abrir la puerta.

El lavavajillas debe estar nivelado antes de realizar cualquier conexión. Gire las patas roscadas (Fig. 1) según sea necesario para nivelar la máquina y ajustarla a la altura deseada.

El borde de la mesa de la vajilla que sobresale del tanque de lavado AM16 debe girarse hacia abajo y colocarse sobre la parte superior del tanque del lavavajillas (Fig. 2). Aplique un sellador aprobado por la NSF entre el saliente de la mesa de lavado y la pared interior del tanque de lavado para evitar fugas (Fig. 2). Fije las mesas de platos a la pared interior del tanque de lavado con tornillos de cabeza de cercha o remaches no oxidables (Fig. 2).

Para las instalaciones rectas, se debe proporcionar un espacio libre de 76 cm (30 in) en la parte delantera y 38 cm (15 in) en el lado derecho por 75 cm (29-1/2 in) de espacio libre sobre el piso terminado para el servicio.

Para las máquinas equipadas con ASR, se debe proporcionar un espacio libre de 76 cm (30 in) en la parte delantera y 61 cm (24 in) en el lado derecho (o izquierdo si el ASR se reubica en el lado izquierdo) por 84 cm (33 in) de espacio libre sobre el piso terminado para el mantenimiento. Si el ASR se reubica en el lado izquierdo, se requiere un espacio libre de 38 cm (15 in) en el lado derecho. **NOTA:** Para las unidades de 480 voltios, se requiere un espacio libre de 50,8 cm (20 in) en el lado izquierdo.

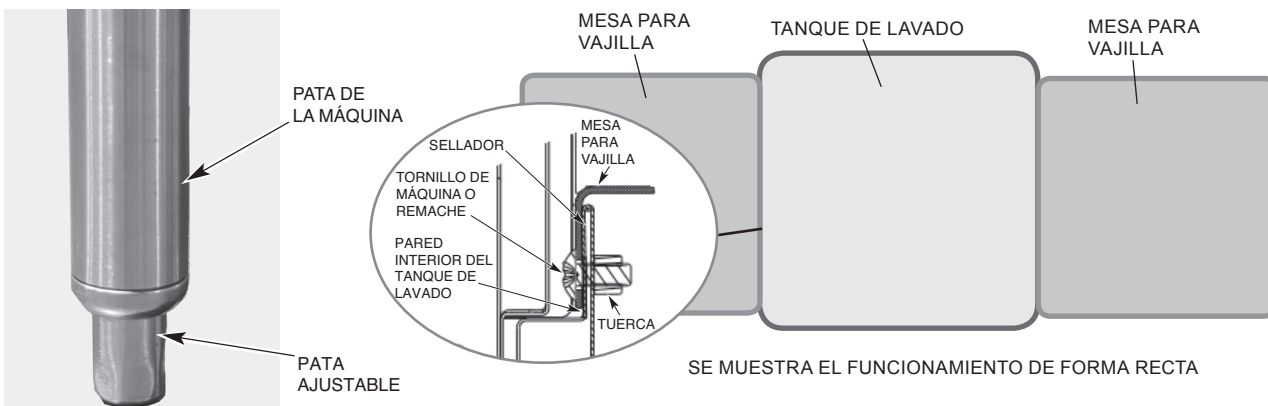


Fig. 1

Fig. 2

Según el diseño de la mesa para vajillas, puede ser necesario ajustar o retirar los soportes de la mesa trasera (Fig. 3). Afloje los dos tornillos y tuercas y ajuste o retire según sea necesario.



Fig. 3

NOTA: Para los modelos AM16-ASR, AM16T-ASR, AM16VL-ADV, AM16VLT-ADV y AM16SVLT, el módulo ASR puede reubicarse en el lado izquierdo de la máquina utilizando el kit de servicio con el número de pieza 00-950446 o el kit de accesorios de venta ASRLEFTKIT-AM16.

INSTALACIÓN EN ESQUINA

Antes de colocar el lavavajillas en su lugar de funcionamiento, compruebe la configuración de la máquina. Si la máquina se instala en una esquina (Fig. 4, 5), deben dejarse espacios libres de 76 cm (30 in) fuera del lavavajillas bajo la tabulación izquierda por 75 cm (29-1/2 in) sobre el piso terminado y 38 cm (15 in) fuera del lavavajillas en el lado derecho por 75 cm (29-1/2 in) sobre el piso terminado para el servicio. Para la instalación correcta de una máquina de esquina, el control y la pantalla deben colocarse en la esquina delantera para el acceso del operador (Fig. 5).

Para las instalaciones en esquina, vuelva a colocar la guía de la cesta en el lado izquierdo del carril de la cesta siguiendo el siguiente procedimiento (Fig. 6).

1. Retire las dos tuercas y los tornillos que fijan la guía de la cesta delantera al riel de la cesta y retire la guía de la cesta.
2. Coloque la guía de la cesta en el lado izquierdo del riel de la cesta alineando los orificios de la guía de la cesta con los espaciadores del riel de la cesta.
3. Asegúrelo con los herrajes retirados en el paso 1. Nota: Las tuercas deben instalarse en el interior del riel de la cesta.

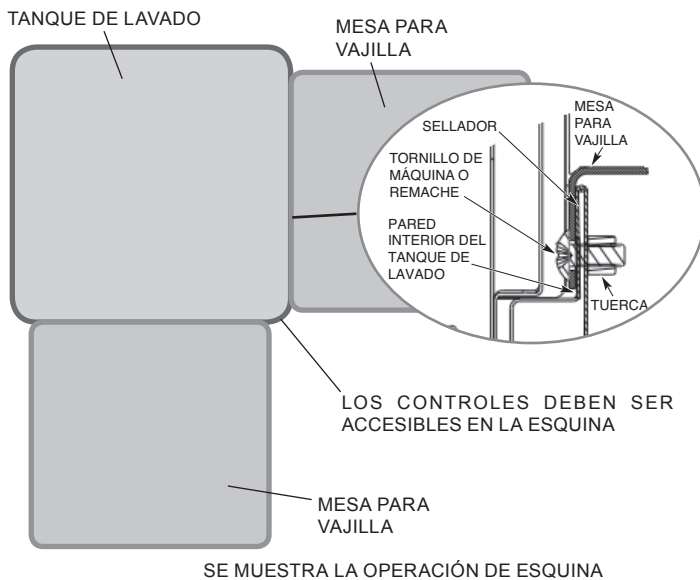


Fig. 4

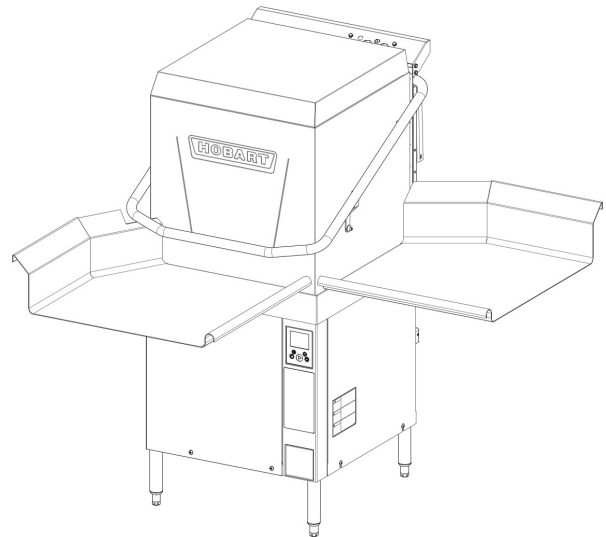


Fig. 5

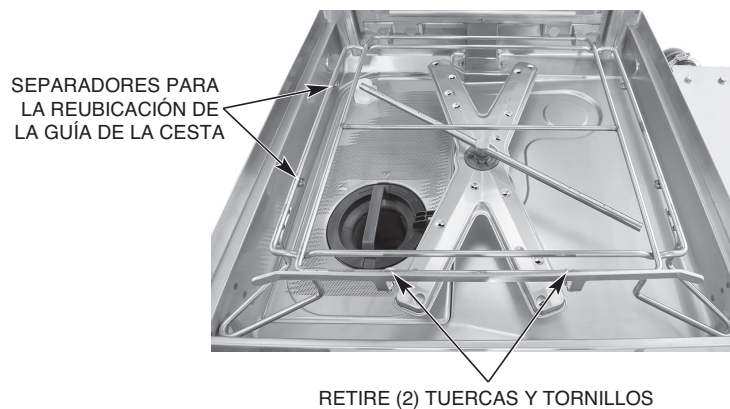
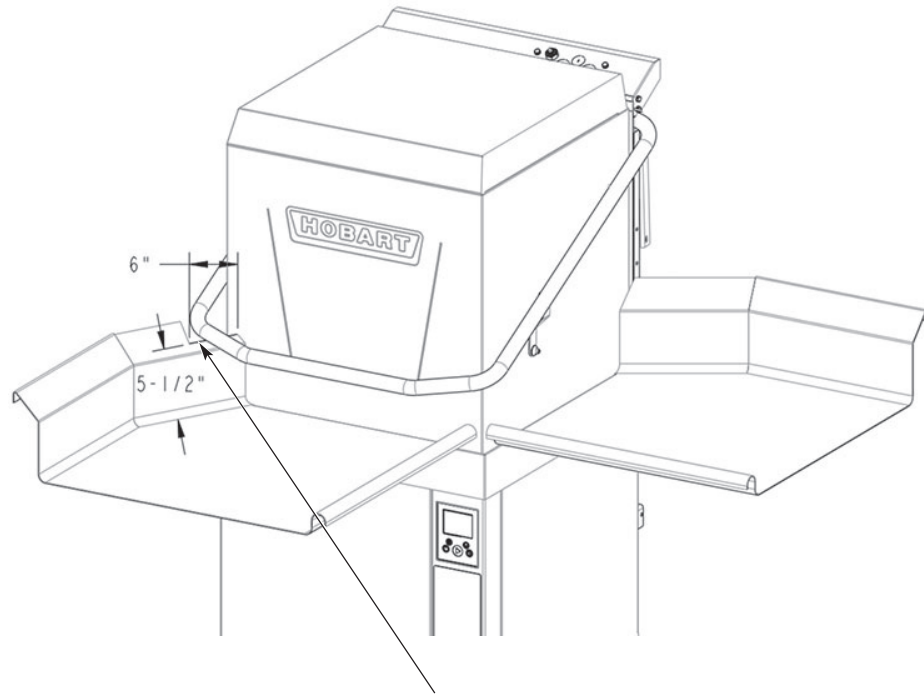


Fig. 6

Hay un kit de protección disponible contra salpicaduras (con costo adicional) para las instalaciones en las esquinas para evitar las salpicaduras excesivas en la pared. Pida el accesorio CORNER-INST-AM16 o el kit de servicio número de pieza 00-562156-00001. Para la instalación, consulte las instrucciones de instalación 0F-45885 suministradas con el kit.

En el caso de las instalaciones en las esquinas, las mesas con salpicaderos de más de 14 cm (5-1/2 in) de altura requieren que se proporcione una muesca para evitar la interferencia con el asa de la puerta (Fig. 7).



SE DEBE AÑADIR UNA MUESCA A LOS SALPICADEROS DE MÁS DE 14 CM (5-1/2 IN) DE ALTURA EN LAS MÁQUINAS DE ESQUINA PARA EVITAR LA INTERFERENCIA CON EL ASA DE LA PUERTA. LA MUESCA DEBE SOBRESALIR 15 CM (6 IN) DE LA CARA DE LA MÁQUINA.

Fig. 7

CONEXIONES DE LAS TUBERÍAS

⚠ ADVERTENCIA Las conexiones de plomería deben cumplir con las normas sanitarias y de seguridad aplicables y los códigos de plomería.

Requisitos del agua

Una calidad de agua adecuada puede mejorar el rendimiento del lavado de la vajilla reduciendo las manchas, aumentando la eficacia de la mano de obra y prolongando la vida útil del equipo. Las condiciones del agua varían de un lugar a otro. El tratamiento adecuado del agua recomendado para un uso eficaz y eficiente de este equipo también variará en función de las condiciones locales del agua. Solicite a su proveedor de agua municipal detalles sobre las condiciones locales del agua antes de la instalación.

La dureza del agua recomendada es de 3 granos de dureza por galón o menos. Una mayor dureza puede provocar una formación excesiva de depósito de sarro. La dureza del agua superior a 3 granos por galón requiere un tratamiento del agua. Se ha demostrado que el tratamiento del agua reduce los costos asociados a la limpieza de la máquina, reduce el sarro del lavavajillas y reduce el uso de detergente en el lavavajillas. El nivel de cloro no debe superar las 50 ppm.

NOTA: Los niveles altos de hierro en el suministro de agua pueden causar manchas y pueden requerir un filtro para el hierro. Los altos niveles de cloro en el suministro de agua pueden causar corrosión por picaduras y pueden requerir un sistema de eliminación de cloro. Póngase en contacto con su profesional local de tratamiento de agua para el tratamiento adecuado del agua.

Los sedimentos pueden requerir un filtro de partículas. Los sólidos disueltos pueden requerir un tratamiento del agua, como un ablandador de agua, un sistema de ósmosis inversa, etc. Póngase en contacto con su profesional de tratamiento de agua local para el tratamiento adecuado del agua.

Si una inspección del lavavajillas o del sobrecalentador revela una acumulación de sarro después de que el equipo haya estado en servicio, se recomienda el tratamiento del agua. Si ya hay un ablandador de agua, asegúrese de que haya un nivel suficiente de sal. Póngase en contacto con su oficina de servicio Hobart para obtener recomendaciones específicas.

Conexión del suministro de agua

El plomero que conecte esta máquina es responsable de asegurarse de que las líneas de agua se LIMPIAN BIEN ANTES de conectarlas al lavavajillas. Este "lavado" es necesario para eliminar todas las materias extrañas, como las virutas (resultantes del corte o el roscado de las tuberías), el compuesto para juntas de las tuberías o, si se utilizan accesorios soldados, los trozos de soldadura o los recortes de la tubería. Los residuos, si no se eliminan, pueden alojarse en los componentes de plomería del lavavajillas y hacerlos inoperantes. Las válvulas manuales o las electroválvulas obstruidas por materias extrañas y cualquier gasto derivado de esta obstrucción NO son responsabilidad del fabricante y los costos de reparación asociados no están cubiertos por la garantía.

Los requisitos de suministro de agua son los siguientes:

REQUISITOS DEL SUMINISTRO DE AGUA

Modelo	Modo de desinfección	Conexión	Suministro de agua		
			Mínimo	Máximo	Recomendado
AM16-BAS AM16T-BAS	Desinfección con agua caliente	Agua caliente	43 °C (110 °F)	N/A	60 °C (140 °F)
AM16-ASR AM16T-ASR	Desinfección con agua caliente	Agua caliente	43 °C (110 °F)	N/A	60 °C (140 °F)
		Agua fría	13 °C (55 °F)	32 °C (90 °F)	18 °C (65 °F)
AM16VL-BAS AM16VLT-BAS AM16VL-ADV AM16VLT-ADV AM16SVLT	Desinfección con agua caliente	Agua fría	12,8 °C (55 °F)	32 °C (90 °F)	18 °C (65 °F)
AM16SCB	Desinfección por productos químicos	Agua caliente	49 °C (120 °F)	N/A	60 °C (140 °F)
AM16VLSCB	Desinfección por productos químicos	Eau chaude	49°C (120°F)	N/A	60 °C (140 °F)
		Eau froide	12,8°C (55°F)	32 °C (90 °F)	18 °C (65 °F)

Los modelos AM16-ASR, AM16T-ASR y AM16VLSCB requieren un suministro de agua fría y otro de agua caliente.

NOTA: En las instalaciones AM16VL-BAS, AM16VLT-BAS, AM16VL-ADV, AM16VLT-ADV, AM16SVLT y AM16VLSCB, el suministro de agua fría no debe superar los 32 °C (90 °F) para un funcionamiento correcto. Los resultados óptimos se obtienen cuando la temperatura del suministro de agua fría es inferior a 18 °C (65° F). Para obtener los mejores resultados, puede ser necesario utilizar una tubería de 1/2 pulgada para el tamaño de la tubería de agua fría y minimizar la distancia entre el lavavajillas y la entrada al edificio. El aislamiento de las tuberías también mejorará los resultados.

Si la temperatura del suministro de agua fría es constantemente superior a 32 °C (90 °F) o si entra un exceso de vapor de agua o vapor en el compartimiento de la vajilla después de que el ciclo de condensación se haya completado, póngase en contacto con el servicio técnico de Hobart para aumentar el tiempo de condensación.

La presión del agua que entra al lavavajillas es de 15 a 65 PSIG. Si hay presiones de flujo superiores a 65 PSIG, debe instalarse una válvula reguladora de presión en la línea de agua que va al lavavajillas (por terceros). Si la presión de flujo es inferior a 15 psi, puede producirse un funcionamiento incorrecto de la máquina. Todos los modelos AM16 están equipados con un sistema de enjuague por bombeo; por lo tanto, no se requiere un manómetro de agua y no se suministra con la máquina.

NOTA: El regulador de presión de agua debe tener un baipás de alivio. Si no se utiliza el tipo de regulador de presión adecuado, se puede dañar la unidad.

Debe instalarse una válvula de cierre manual (no suministrada) antes de la manguera de llenado para facilitar el mantenimiento de la máquina. Se recomienda instalar un filtro de línea (no suministrado) en la línea de suministro entre la válvula de cierre manual (no suministrada) y el punto de conexión en la máquina.

Todas las máquinas se envían de forma estándar con una manguera de llenado trenzada de acero inoxidable de 244 cm (96 in) de longitud con un accesorio de manguera de jardín hembra de 3/4 pulgada. Se envía una segunda manguera de llenado para las máquinas equipadas con conexiones de agua caliente y fría. Realice las conexiones de plomería con tuberías de cobre de 1/2 pulgada como mínimo (se recomienda 3/4 pulgada), con un accesorio de manguera de jardín macho de 3/4 pulgada (no suministrado).

Conexión del desagüe

Con la máquina se suministra una manguera de drenaje de 5/8 in de diámetro interior y 1,8 m (6 pies) de longitud. Esta debe estar bien conectado a un desagüe. Tenga cuidado de no doblar la manguera. El desagüe debe tener una capacidad de flujo mínima de 70 l (18,5 galones) por minuto. La altura de la manguera de desagüe no puede superar los 100 cm (40 in) sobre el suelo acabado.

Si el código exige una trampa de grasa, debe tener una capacidad de flujo mínima de 70 l (18,5 galones) por minuto.

Si la máquina está equipada con ASR, utilice el kit de entrehierro con bomba suministrado (parte # 00-562723- 00001) que se envía con la máquina; consulte las instrucciones de instalación incluidas en el kit. Para los modelos -BAS y VL-BAS, el kit de entrehierro con bomba está disponible a través de ventas utilizando el código de accesorio PMP-DRAIN-AM16 o el kit de servicio número de pieza 00-562723-00002.

NOTA: Si la máquina está equipada con ASR, NO conecte la línea de desagüe del ASR al desagüe de fregadero de 3 compartimentos.

REQUISITOS DE VENTILACIÓN

NOTA: Cualquier campana extractora comercial listada y etiquetada de fábrica, probada de acuerdo con la norma UL 710 por un laboratorio de pruebas reconocido a nivel nacional, debe ser instalada de acuerdo con los términos de su listado y las instrucciones de instalación del fabricante.

Cálculo del flujo de los gases de escape

Basado en el Código mecánico internacional 2018.

El flujo de aire neto mínimo para las campanas de tipo II utilizadas para los aparatos de lavado de vajilla será de 100 cfm por pie lineal de longitud de la campana. La cantidad neta de aire de escape se calculará restando cualquier flujo de aire suministrado directamente a una cavidad de la campana del caudal total de escape de una campana.

Los modelos sin ventilación AM16VL-BAS, AM16VLT-BAS, AM16SVLT, AM16VL-ADV, AM16VLT-ADV y AM16VLSCB no requieren una campana de ventilación de Tipo II. Según 507,3 del IMC del 2018, las campanas de tipo II no son necesarias cuando la carga de calor y humedad se integra al diseño del sistema de climatización. Refiérase a la Tabla A (página 12) para la disipación de calor o la ganancia de calor al espacio.

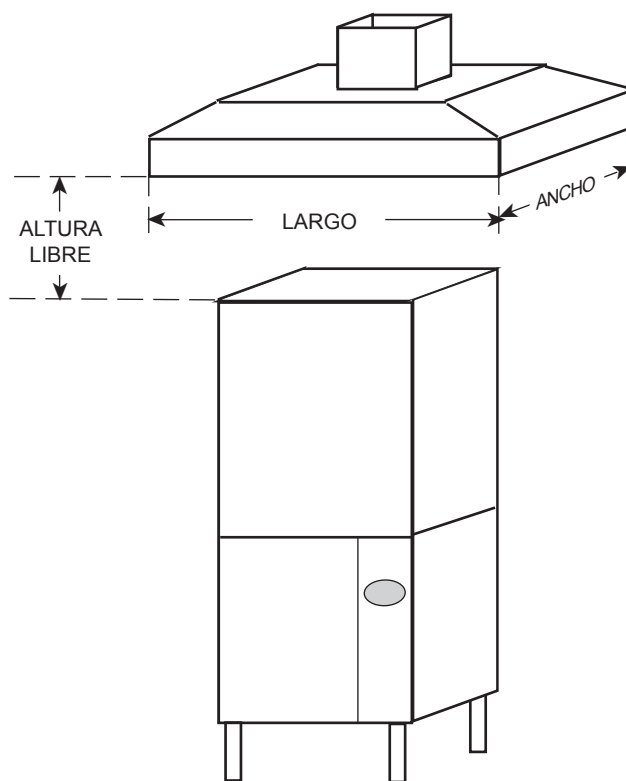


Fig. 8

TABLA A: DISIPACIÓN DE CALOR

	Modelo	Calefacción eléctrica	Sobrecalentador eléctrico	Calor latente (BTU/HR)	Calor sensible (BTU/HR)
Desinfección con agua caliente	AM16-BAS	X	X	7800	4000
	AM16T-BAS	X	X	12300	5700
	AM16VL-BAS	X	X	4300	3500
	AM16VLT-BAS	X	X	6800	5000
	AM16-ASR	X	X	7800	4000
	AM16T-ASR	X	X	12300	5700
	AM16VL-ADV	X	X	3200	3700
	AM16VLT-ADV	X	X	5100	5300
	AM16SVLT	X	X	5100	5300
Desinfección por productos químicos	AM16SCB	X	X	3570	6700
	AM16VLSCB	X	X	3600	4200

- Suposiciones:
1. Las máquinas funcionan al 70% cada hora mientras están en uso.
 2. Los valores indicados son el calor que entra en el local.
 3. El 70% de la producción de calor es latente, el 30% es sensible.

CONEXIONES ELÉCTRICAS

⚠ ADVERTENCIA Las conexiones eléctricas y las que van a tierra deben cumplir con las secciones correspondientes del Código Nacional de Electricidad NFPA 70 (en su última edición) o con la normativa eléctrica local.

⚠ ADVERTENCIA Desconecte la energía eléctrica de la máquina (tanto del lavavajillas como del sobrecalentador, si es aplicable) y siga los procedimientos de bloqueo/etiquetado. Asegúrese de que todos los circuitos están desconectados.

Consulte el diagrama de cableado adjunto en el interior del panel embellecedor derecho y la placa de datos de la máquina para conocer los requisitos de tamaño de servicio al conectar el lavavajillas. Consulte también los datos eléctricos que se muestran a continuación.

Para acceder a la zona de controles, retire el panel lateral derecho y abra la puerta del panel de control. La conexión del servicio eléctrico del lavavajillas se puede realizar en el agujero ciego de 1,9 cm (3/4 in) o 2,5 cm (1 in) situado en el lado derecho de la parte trasera de la máquina.

DATOS ELÉCTRICOS

Modelos	Voltios / Hz / Fase	Calentamiento del tanque	Ampacidad mínima del circuito Dispositivo de protección máximo AMPS		
			TB1	TB2	Conexión eléctrica estándar de un solo punto lavavajillas y sobrecalentador (sólo trifásico)
AM16-BAS, AM16T-BAS, AM16VL-BAS, AM16VLT-BAS, AM16-ASR, AM16T-ASR, AM16VL-ADV, AM16VLT-ADV, AM16SVLT	208 - 240 / 60 / 1	Eléctrico	50	50	
	208 - 240 / 60 / 3	Eléctrico	30	30	60
AM16-BAS, AM16T-BAS, AM16VL-BAS, AM16VLT-BAS	480 / 60 / 3	Eléctrico	15	15	30
AM16-BAS, AM16T-BAS	200 - 240 / 50 / 3	Eléctrico	30	30	60
	380 - 415 / 50 / 3	Eléctrico	20	20	30
					Conexión eléctrica estándar de un solo punto con sobrecalentador eléctrico de 4,3 KW
AM16SCB, AM16VLSCB	208 / 240 / 60 / 1	Eléctrico			30 - 40 / 35 - 45

Creado de acuerdo con el código eléctrico nacional, NFPA 70 (última edición).

Debe instalarse un interruptor de desconexión con fusibles o un disyuntor (suministrado por el cliente) en la(s) línea(s) de servicio eléctrico que abastece(n) a este lavavajillas y debe cumplir con los requisitos de su código eléctrico local.

Todos los modelos AM16, excepto los modelos AM16SCB y AM16VLSCB, se suministran de serie con una alimentación de tensión trifásica y una configuración eléctrica de un solo punto. El suministro eléctrico estándar de un solo punto se conecta al bloque de terminales TB1 en el área de controles (Fig. 9). La máquina debe estar conectada a tierra de acuerdo con los códigos eléctricos; se proporciona un terminal de conexión a tierra.

Los modelos AM16SCB y AM16VLSCB se suministran de serie con una alimentación de tensión monofásica y una configuración eléctrica de un solo punto. El suministro eléctrico estándar de un solo punto se conecta al bloque de terminales TB1 en el área de controles (Fig. 9). La máquina debe estar conectada a tierra de acuerdo con los códigos eléctricos; se proporciona un terminal de conexión a tierra.

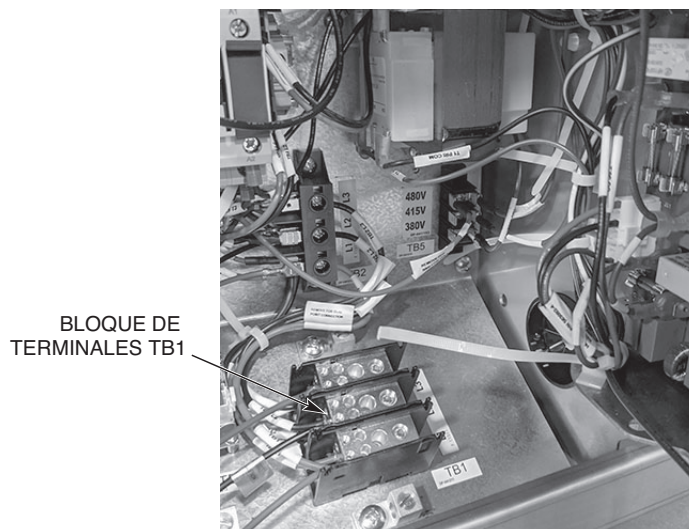


Fig. 9

Para convertir un modelo AM16 a una configuración eléctrica de doble punto o para convertirlo de trifásico a monofásico, consulte las instrucciones F-45845 adjuntas en el interior del panel de revestimiento derecho de la máquina.

NOTA: Los modelos AM16SCB y AM16VLSCB no se pueden convertir en una configuración de doble punto. Estos modelos sólo pueden instalarse con una configuración de conexión eléctrica monofásica y de un solo punto.

Ajuste del voltaje (sólo máquinas de 380 a 415 voltios)

Este procedimiento de ajuste se aplica a todos los lavavajillas AM16 de 380 a 415 voltios, 50 Hz, trifásicos. Todos los demás voltajes del lavavajillas AM16 vienen preajustados de fábrica y no requieren este procedimiento de ajuste.

ESTE PROCEDIMIENTO DEBE SER REALIZADO ÚNICAMENTE POR UN ELECTRICISTA CUALIFICADO.

Si la tensión de alimentación de la máquina es de 415 voltios, no es necesario ningún cambio. El transformador del circuito de control [T2] debe estar ya ajustado para funcionar a 415 voltios.

Si la tensión de alimentación de la máquina es de 380 voltios, el transformador del circuito de control [T2] debe cambiarse para que funcione con 380 voltios. Para cambiar la toma, reubique el cable rojo en el bloque de terminales TB5 de la toma de 415 V a la toma de 380 V.

NOTA: El TB5 se encuentra en la placa base de los controles situada en la parte inferior derecha de la máquina (Fig. 10).

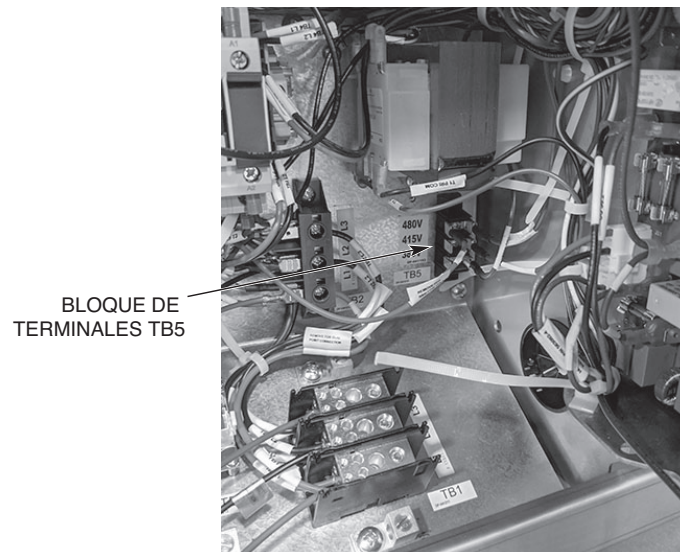


Fig. 10

Rotación del motor (sólo máquinas de 480 voltios y 50 hertzios)

Antes de poner la máquina en servicio, compruebe que el motor de la bomba de lavado gira correctamente observando su dirección. Si el motor de la bomba no gira en la dirección correcta, **DESCONECTE LA ALIMENTACIÓN ELÉCTRICA** e intercambie dos de los cables de alimentación entrantes. Vuelva a conectar la fuente de alimentación y verifique que el giro sea el correcto.

CONEXIONES DE EQUIPOS

⚠ ADVERTENCIA Las conexiones eléctricas y las que van a tierra deben cumplir con las secciones correspondientes del Código Nacional de Electricidad NFPA 70 (en su última edición) o con la normativa eléctrica local.

⚠ ADVERTENCIA Desconecte la energía eléctrica de la máquina (tanto del lavavajillas como del sobrecalentador, si es aplicable) y siga los procedimientos de bloqueo/etiquetado. Asegúrese de que todos los circuitos están desconectados.

Control del ventilador de la ventilación

La función de control del ventilador de la ventilación es estándar en todos los modelos AM16 con ventilación. El relé de control del ventilador de la ventilación sólo proporciona contactos de conmutación y no proporciona energía al motor del ventilador de ventilación. El valor nominal del relé de control del ventilador de la ventilación conectado a los terminales VFC1 y VFC2 es 1,5 amperios a la tensión de alimentación indicada en la placa. Cuando el lavavajillas está conectado al ventilador de ventilación, éste se enciende cuando el lavavajillas está encendido y se apaga cuando el lavavajillas está apagado.

INSTALACIÓN DEL DISPENSADOR DE DETERGENTE, ABRILLANTADOR Y DESINFECTANTE SUMINISTRADO POR HOBART

Todos los modelos AM16SCB, AM16VLSCB y AM16SVLT se envían de forma estándar con bombas para productos químicos. Las bombas para productos químicos están disponibles como un kit de accesorios para todos los demás modelos. Para máquinas de altura estándar, pida el código de accesorio de venta CHEMPUMP-STD-AM16 o la pieza de servicio # 00-563068-00002. Para las máquinas altas, pida el código de accesorio de venta CHEMPUMP-HTS-AM16 o la pieza de servicio # 00-563069. Para las instrucciones de instalación del kit de accesorios de altura estándar, consulte F-45893. Para las instrucciones de instalación del kit de accesorios de altura para máquinas altas, consulte F-45904.

NOTA: En el caso de las máquinas con ventilación, se requiere un kit de alimentación para instalar las bombas de productos químicos Hobart. Pida el código de accesorio de ventas POWERSUPPLY-AM16 o el número de pieza de servicio 00-563649. Para las instrucciones de instalación del kit de alimentación, consulte F-45911.

Programación de la bomba de productos químicos (para máquinas equipadas con bombas de productos químicos de Hobart)

NOTA: El módulo de dispensación de productos químicos viene preconfigurado de fábrica con los siguientes ajustes de concentración (ml/L). Este procedimiento de ajuste es para verificar o alterar los ajustes si se requieren cambios en la dosificación de productos químicos para lograr las concentraciones adecuadas.

1. Enciende el lavavajillas. La pantalla muestra la pantalla de listo cuando se ha completado el ciclo de llenado.
2. Pulse el botón "Menu".
3. Con la opción "Manager Menu" (menú administrador) resaltada, pulse el botón "Enter". Aparecerá la pantalla "Enter PIN" (introducir PIN).
4. El código de administrador por defecto es el 1001. Utilice los botones de flecha para cambiar el valor y presione el botón "Enter" para seleccionar el valor y pasar al siguiente dígito hasta introducir el código.
5. Después de pulsar "Enter" para el último dígito, utilice la flecha direccional hacia abajo y desplácese hasta que aparezca "chemical menu" (menú químico). Presione Enter.

6. A continuación, se muestra una lista de los ajustes químicos recomendados y los ajustes de fábrica de Hobart para las bombas de productos químicos integradas de Hobart. Utilice las flechas direccionales arriba y abajo para pasar al siguiente parámetro.
 - a. Para cambiar el valor de un parámetro, pulse el botón Enter una vez que el parámetro esté perfilado.
 - b. Pulse las flechas direccionales arriba y abajo para cambiar el valor del parámetro.
 - c. Una vez que aparezca el valor del parámetro deseado, pulse el botón "Enter" para guardar la selección.
7. Para salir de la programación, utilice las flechas direccionales arriba y hacia abajo para desplazarse por los parámetros hasta que aparezca "back" (atrás) y pulse el botón "Enter". Repita este procedimiento hasta que aparezca la pantalla de listo.

Ajuste de fábrica y dosis de detergente sugeridas para el AM16										
Nombre del parámetro	Detergente para lavavajillas KAY QSR		Detergente para lavavajillas Ecolab Supra LP	Detergente líquido para lavavajillas Ecolab Keystone		Ecolab Super Trump	Ecolab UltraKlene Plus		Ecolab Ecotemp Ultra Klene / UltraKlene FT	
	2,00	2,50		2,00	0,80		1,10	1,60	2,60	3,60
Concentración (ml/L) * EL ÚNICO PARÁMETRO DE LA MÁQUINA QUE SE PUEDE EDITAR	2,00	2,50	2,00	0,80	1,10	1,60	2,60	3,60	0,80	1,10
Concentración (%)	Min.	Max.	Max.	Min.	Max.	Max.	Min.	Max.	Min.	Max.
	0,20	0,25	0,20	0,08	0,11	0,16	0,26	0,36	0,08	0,11
Dosis de volumen químico (ml/ciclo)	5,07	6,34	5,07	2,03	2,79	4,06	6,59	9,13	2,03	2,79
Velocidad de la bomba	100%									
Tiempo de funcionamiento de la bomba(s)	1,95	2,44	1,95	0,78	1,07	1,56	2,54	3,51	0,78	1,07
Revoluciones de la bomba	4,6	5,8	4,6	1,9	2,6	3,7	6,0	8,4	1,9	2,6

- El detergente de fábrica de la máquina AM16 es de 2,5 ml/L, lo que corresponde a 6,25 ml/ciclo y 5,7 revoluciones de la bomba en base al detergente para lavavajillas KAY QSR (color amarillo). Otros detergentes pueden requerir un cambio de dosis.
- La información sobre las dosis de los productos químicos que aparece en la tabla es sólo una guía.
- En la tabla anterior, las dosis de "ml/L" y "ml/ciclo" y sus correspondientes "revoluciones de la bomba y tiempos de encendido" se basan en las respectivas recomendaciones de dosis del fabricante (obtenidas de la MSDS/SDS o de la ficha técnica del detergente) y en el volumen de agua de enjuague del AM16 de 0,67 galones/ciclo.
- Para los detergentes con un % de dilución conocido, calcule "ml/L" multiplicando el % de dilución conocido por 10, por ejemplo, 0,20% a ml/L es 0,20% * 10 = 2 ml/L.
- Para los detergentes que no figuran en la tabla y se desconoce la dosis, utilice la dosis de detergente de "1,5 ml/L que corresponde a 3,8 ml/ciclo" consulte con el proveedor de productos químicos para la dosis recomendada.
- Con la información en "ml/L", calcule "ml/ciclo" multiplicando los "ml/L" conocidos por 2,535, por ejemplo, "2,0 ml/L" a "ml/ciclo" es 2,0 ml/L * 2,535 = 5,07 ml/ciclo).
- El factor "2,535" (es decir, 0,67 gal/ciclo * 3,785 L/gal) " se basa en el volumen de enjuague AM16 de 0,67 gal/ciclo y en la conversión de "gal" a "L". El factor debe cambiar cuando se cambia el volumen de enjuague.

Ajuste de fábrica y dosis sugeridas de abrillantador para el AM16										
Nombre del parámetro	Ecolab Esteem Dry All		Ecolab EcoTemp Ultra Dry		Aditivo de enjuague líquido Ecolab Keystone		Aditivo de enjuague Ecolab R/O Free		EcoLab Rinse Dry	
Concentración (ml/L) * EL ÚNICO PARÁMETRO DE LA MÁQUINA QUE SE PUEDE EDITAR	0,50	1,00	0,13	0,31	0,13	0,31	0,13	0,31	0,13	0,31
Concentración (%)	Min.	Max.	Min.	Max.	Min.	Max.	Min.	Max.	Min.	Max.
	0,05	0,10	0,0132	0,0311	0,0132	0,0311	0,0132	0,0311	0,0132	0,0311
Dosis de volumen químico (ml/ciclo)	1,27	2,54	0,33	0,79	0,33	0,79	0,33	0,79	0,33	0,79
Velocidad de la bomba	100%									
Tiempo de funcionamiento de la bomba(s)	0,49	0,98	0,13	0,30	0,13	0,30	0,13	0,30	0,13	0,30
Revoluciones de la bomba	1,2	2,3	0,3	0,7	0,3	0,7	0,3	0,7	0,3	0,7

- El abrillantador de fábrica de la máquina AM16 está ajustado a 1,1 ml/L, lo que corresponde a 2,75 ml/ciclo y 2,4 de bombeo. Otros detergentes pueden requerir un cambio.
- **La información sobre las dosis de los productos químicos que aparece en la tabla es sólo una guía.**
- En la tabla anterior, las dosis de "ml/L" y "ml/ciclo" y sus correspondientes "revoluciones de la bomba y tiempos de encendido" se basan en las respectivas recomendaciones de dosificación del fabricante (obtenidas de la MSDS/SDS o de la ficha técnica del abrillantador) y en el volumen de agua de enjuague del AM16 de 0,67 galones/ciclo.
- Para los productos químicos con un % de dilución conocido, calcule los "ml/L" multiplicando el % de dilución conocido por 10, por ejemplo, 0,05 % a ml/L es $0,050 \% * 10 = 0,50 \text{ ml/L}$.
- Para los productos químicos que no aparecen en la tabla y cuya dosis se desconoce, utilice la dosis de enjuague de "0,9 ml/L que corresponde a 2,25 ml/ciclo" o consulte con el proveedor de productos químicos para obtener una dosis recomendada.
- Con la información en "ml/L", calcule "ml/ciclo" multiplicando los "ml/L" conocidos por 2,535, por ejemplo, "0,50 ml/L" a "ml/ciclo" es $0,50 \text{ ml/L} * 2,535 = 1,27 \text{ ml/ciclo}$.
- El factor "2,535" (es decir, $0,67 \text{ gal/ciclo} * 3,785 \text{ L/gal}$) se basa en el volumen de enjuague AM16 de 0,67 gal/ciclo y en la conversión de "gal" a "L". El factor debe cambiar cuando se cambia el volumen de enjuague.

Ajuste de fábrica y dosis sugeridas de desinfectante para el AM16						
Nombre del parámetro	Ecolab Esteem Sani-NC 5,25 % en peso de hipoclorito de sodio en lejía 3,5 ml para 75 ppm		Ecolab Eco-San 8,4 % en peso de hipoclorito de sodio en lejía 2,2 ml para 75 ppm		Desinfectante Ecolab Keystone 8,4 % en peso de hipoclorito de sodio en lejía 2,2 ml para 75 ppm	
Concentración (ml/L) * EL ÚNICO PARÁMETRO DE LA MÁQUINA QUE SE PUEDE EDITAR	0,92	1,84	0,54	1,08	0,54	1,08
Concentración (%)	Min.	Max.	Min.	Max.	Min.	Max.
	50 ppm	100 ppm	50 ppm	100 ppm	50 ppm	100 ppm
Dosis de volumen químico (ml/ciclo)	2,33	4,66	1,38	2,75	1,38	2,75
Velocidad de la bomba	6%	15%	4%	7%	4%	7%
Tiempo de funcionamiento de la bomba(s)	N/A					
Revoluciones de la bomba						

- **El desinfectante de fábrica de la máquina AM16 está ajustado a 1,57 ml/L, lo que corresponde a 3,8 ml/ciclo y 80 ppm de cloro de 5,25 % en peso de hipoclorito de sodio en solución blanqueadora a una velocidad de bombeo del 11%.**
- **La información sobre las dosis de los productos químicos que aparece en la tabla es sólo una guía.**
- En la tabla anterior, las dosis de desinfectante de "ml/L" y "ml/ciclo" y la **velocidad de la bomba** se basan en el porcentaje en peso respectivo del hipoclorito de sodio en la lejía (obtenido de la hoja de datos de seguridad del desinfectante o de la hoja de datos técnicos) y el volumen de agua de enjuague de la máquina AM16 de 0,67 galones/ciclo para formar el mínimo de 50 ppm o el máximo de 100 ppm de cloro que requiere la desinfección de la NSF.
- En el caso de los desinfectantes a base de cloro cuyos nombres no figuran en la tabla, pero que tienen el mismo porcentaje en peso de hipoclorito de sodio en la lejía que en la tabla, los datos asociados podrían utilizarse como guía, a reserva de su confirmación mediante pruebas en la máquina con tiras de prueba de cloro.
- En el caso de los desinfectantes a base de cloro con nombres que no figuran en la tabla y con hipoclorito de sodio en peso desconocido en la lejía, se debe asegurar la desinfección con cloro desde 50 ppm a 100 ppm de cloro inclusive para la desinfección mediante pruebas en la máquina.

Cebado de bomba de productos químicos

Todas las máquinas equipadas con bombas de productos químicos Hobart se ceban automáticamente. Si se requiere un cebado manual, siga los siguientes pasos.

1. Enciende el lavavajillas. La pantalla muestra la pantalla de listo cuando se ha completado el ciclo de llenado.
2. Pulse el botón "Menu".
3. Con la opción "Manager Menu" (menú administrador) resaltada, pulse el botón "Enter". Aparecerá la pantalla "Enter PIN" (introducir PIN).
4. El código de administrador por defecto es el 1001. Utilice los botones de flecha para cambiar el valor y presione el botón "Enter" para seleccionar el valor y pasar al siguiente dígito hasta introducir el código.
5. Después de pulsar "Enter" para el último dígito, utilice la flecha direccional hacia abajo y desplácese hasta que aparezca "chemical menu" (menú químico). Presione Enter.
6. Desplácese hacia abajo hasta que aparezca "Prime Chemical Pumps" (Cebado de las bombas de productos químicos). Presione Enter.
7. Se muestra 'Prime Detergent Pump' (Ceba la bomba de detergente). Utilice las teclas de flecha direccionales para seleccionar sí o no para cebar la bomba de detergente. Pulse el botón Enter.
8. Se muestra 'Prime Rinse Aid Pump' (Ceba la bomba de abrillantador). Utilice las teclas de flecha direccionales para seleccionar sí o no para cebar la bomba de abrillantador. Pulse el botón Enter.
9. Se muestra 'Priming Sanitizer Pump' (Ceba la bomba de desinfección). Utilice las teclas de flecha direccionales para seleccionar sí o no para cebar la bomba de desinfectante. Pulse el botón Enter.
10. Se muestra "filling chemical hoses" (llenando las mangueras de productos químicos) y la(s) bomba(s) de productos químicos correspondiente(s) ajustada(s) a "yes" (sí) en los pasos 7 - 9 se cebará(n) durante 20 segundos y la pantalla volverá al "chemical menu" (menú de productos químicos).
11. Para salir del menú, utilice las flechas direccionales arriba y abajo para desplazarse por los parámetros hasta que aparezca "back" (atrás) y pulse el botón "Enter". Repita este procedimiento hasta que aparezca la pantalla de listo.

Pruebas de desinfección (máquinas de desinfección química)

1. Coloque un recipiente para servir o un recipiente para mezclar boca abajo en una cesta y páselo por un ciclo.
2. Después del ciclo, sumerja una tira de prueba de desinfectante en el agua recogida en la superficie del recipiente.
3. Compare la tira de prueba con la escala de prueba suministrada con su kit de prueba (Fig. 11). Si el nivel de desinfectante está fuera de los límites (es decir, por debajo de 50 ppm o por encima de 100 ppm), ajuste la dosificación. Consulte la programación de la bomba de productos químicos (página 15), para obtener instrucciones de ajuste, o póngase en contacto con su proveedor de productos químicos.

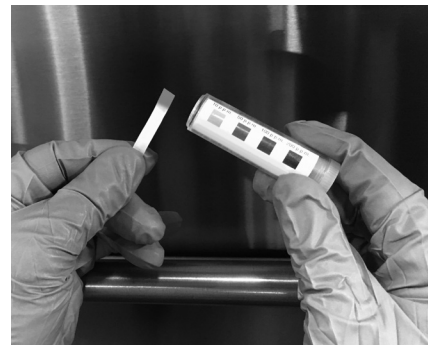


Fig. 11

DISPENSADORES DE DETERGENTE Y ABRILLANTADOR (PARA MÁQUINAS CON BOMBAS QUÍMICAS SUMINISTRADAS POR TERCEROS)

Instalación de las tuberías

Los dispensadores de detergente y abrillantador no suministrados por Hobart deben tener todas las conexiones selladas contra fugas.

Los lavavajillas de la serie AM16 utilizan 2,5 l (0,67 galones) de agua de enjuague por cesta a un caudal de 15,1 l (4,02 galones) por minuto. Esta información se utiliza al ajustar las bombas de detergente y abrillantador.

NOTA: Todos los modelos AM16 utilizan un sistema de enjuague por bombeo; no se requiere un manómetro.

Dispensador de detergente

El lavavajillas tiene tres agujeros taponados de 2,2 cm (7/8 in) de diámetro; dos en las paredes laterales superiores traseras del tanque (uno a la izquierda y otro a la derecha, Fig. 12) y uno en la parte frontal inferior del tanque (Fig. 13). Con el tanque vacío, retire los dos tapones para instalar el dispensador de detergente.

- Los agujeros superiores del tanque son para la instalación del tubo alimentador de detergente (utilice la ubicación del lado izquierdo o derecho).
- El agujero inferior del depósito se utiliza para la instalación del sensor de detergente.

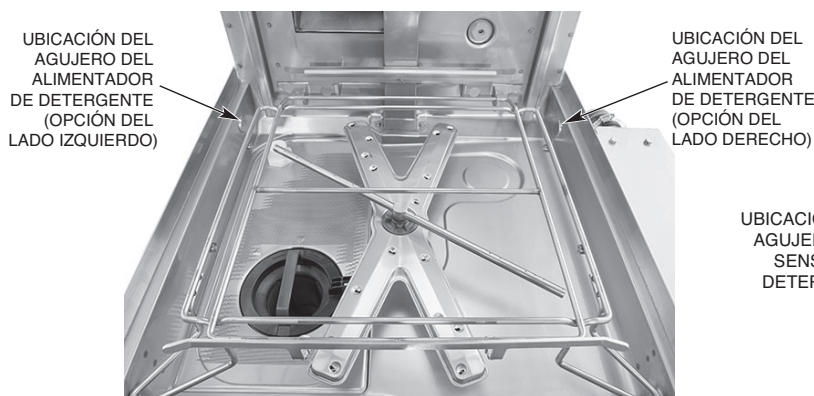


Fig. 12



Fig. 13

Dispensador de abrillantador

Retire el tapón NPT de 0,3 cm (1/8 in) (Fig. 14 para unidades de altura estándar, Fig. 15 para unidades altas) para la instalación del tubo dispensador del abrillantador.



Fig. 14



Fig. 15

DISPENSADORES DE DETERGENTE Y ABRILLANTADOR – CONEXIONES DE EQUIPOS

⚠ ADVERTENCIA Las conexiones eléctricas y las que van a tierra deben cumplir con las secciones correspondientes del Código Nacional de Electricidad NFPA 70 (en su última edición) o con la normativa eléctrica local.

⚠ ADVERTENCIA Desconecte la energía eléctrica de la máquina (tanto del lavavajillas como del sobrecalentador, si se aplica) y siga los procedimientos de bloqueo/etiquetado. Asegúrese de que todos los circuitos están desconectados.

Esta máquina debe funcionar con un alimentador automático de detergente que incluya un medio visual para verificar que se suministran los detergentes o una alarma visual o audible para señalar si los detergentes no están disponibles para su suministro a los respectivos sistemas de lavado y desinfección. Consulte la sección de instalación de este manual y los manuales de los equipos de alimentación de productos químicos.

Dispensador de detergente

Los terminales DPS1 y DPS2 (Fig. 16) se alimentan con la tensión de línea de la máquina controlada. Se encienden durante el ciclo de lavado y se apagan entre ciclos, cuando la máquina está en ciclo de eliminación de sarro o cuando la alimentación eléctrica de la máquina está apagada. **La capacidad máxima del dispensador de detergente conectado al DPS1 y al DPS2 es de 1,5 amperios a la tensión de línea.** Compruebe la tensión de alimentación de la máquina y utilice la tensión correspondiente del transformador de alimentación. Utilice un cable aislado de 600 voltios como mínimo para las conexiones. No utilice cable de campana, cable de lámpara o cable de tipo similar. Las conexiones de empalme, si son necesarias, deben realizarse en la caja de conexiones del transformador de alimentación (suministrada por terceros) - no en el recinto de los controles principales. Utilice el agujero de 2,2 cm (7/8 in) de diámetro situado en la esquina trasera derecha de la máquina para el accesorio de conducto de tamaño comercial de 1,3 cm (1/2 in). Retire el panel lateral derecho. Todos los cables deben estar provistos de accesorios de alivio de tensión.

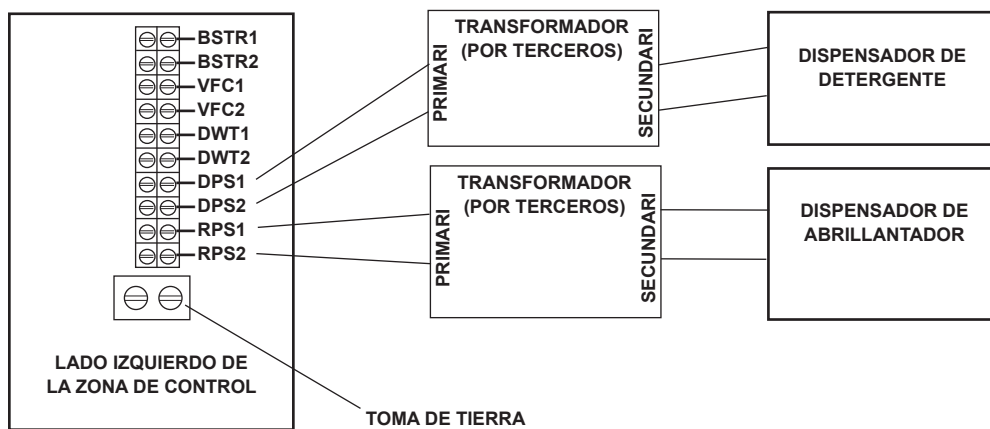


Fig. 16

Dispensador de abrillantador

Los bornes RPS1 y RPS2 (Fig. 16) se alimentan con la tensión de línea de la máquina controlada. Se encienden durante el ciclo de enjuague y se apagan entre ciclos, cuando la máquina está en el ciclo de eliminación de sarro o cuando la alimentación de la máquina está apagada. **La capacidad máxima del dispensador de abrillantador conectado a RPS1 y RPS2 es de 1,5 amperios a la tensión de línea.** Compruebe la tensión de alimentación de la máquina y utilice la tensión correspondiente del transformador de alimentación. Utilice un cable aislado de 600 voltios como mínimo para las conexiones. No utilice cable de campana, cable de lámpara o cable de tipo similar. Las conexiones de empalme, si son necesarias, deben realizarse en la caja de conexiones del transformador de alimentación (suministrada por terceros) - no en el recinto de los controles principales. Utilice el agujero de 2,2 cm (7/8 in) de diámetro situado en la esquina trasera derecha de la máquina para el accesorio de conducto de tamaño comercial de 1,3 cm (1/2 in). Todos los cables deben estar provistos de accesorios de alivio de tensión.

FUNCIONAMIENTO

PREPARACIÓN

El tubo debe estar en su ubicación correcta debajo del canasto colador (Fig. 17). Coloque la bandeja del colador y el canasto colador en su posición correcta (Fig. 18).



Fig. 17

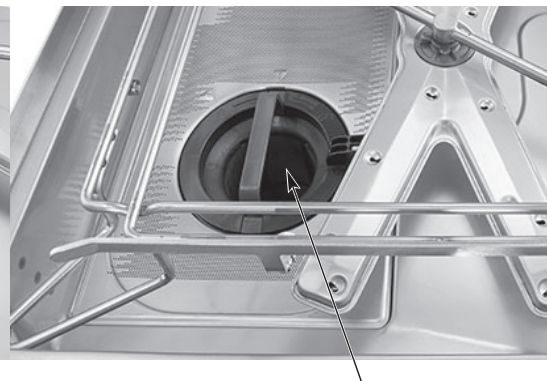


Fig. 18

NOTA: Al instalar el canasto colador, asegúrese de que el canasto esté en la posición de "bloqueo" (Fig. 19).



CANASTO COLADOR EN POSICIÓN DESBLOQUEADA



CANASTO COLADOR EN POSICIÓN BLOQUEADA

Fig. 19

Si la máquina está equipada con ASR, asegúrese de que el canasto de desechos ASR externo esté correctamente instalado en el alojamiento del ASR (Fig. 20).



Fig. 20

Si la máquina no está equipada con las bombas químicas integradas de Hobart, se requiere un dispensador automático de detergente. Siga atentamente las instrucciones del proveedor.

Cierre la puerta. Pulse el botón POWER (Encendido) para encender (Fig. 21). Si la puerta de la máquina está cerrada y no hay agua en el depósito, el ciclo de llenado comenzará automáticamente. Si se detecta agua en el tanque, la máquina comprobará la temperatura del agua y si el agua está fría, la máquina vaciará el agua antes de llenarlo con agua fresca. Si el agua está caliente, la máquina procederá a calentar el agua hasta el punto de ajuste de la temperatura del tanque de lavado. Durante el ciclo de llenado, se muestra la palabra FILLING junto con la imagen de un cubo llenándose para mostrar el progreso (Fig. 22).

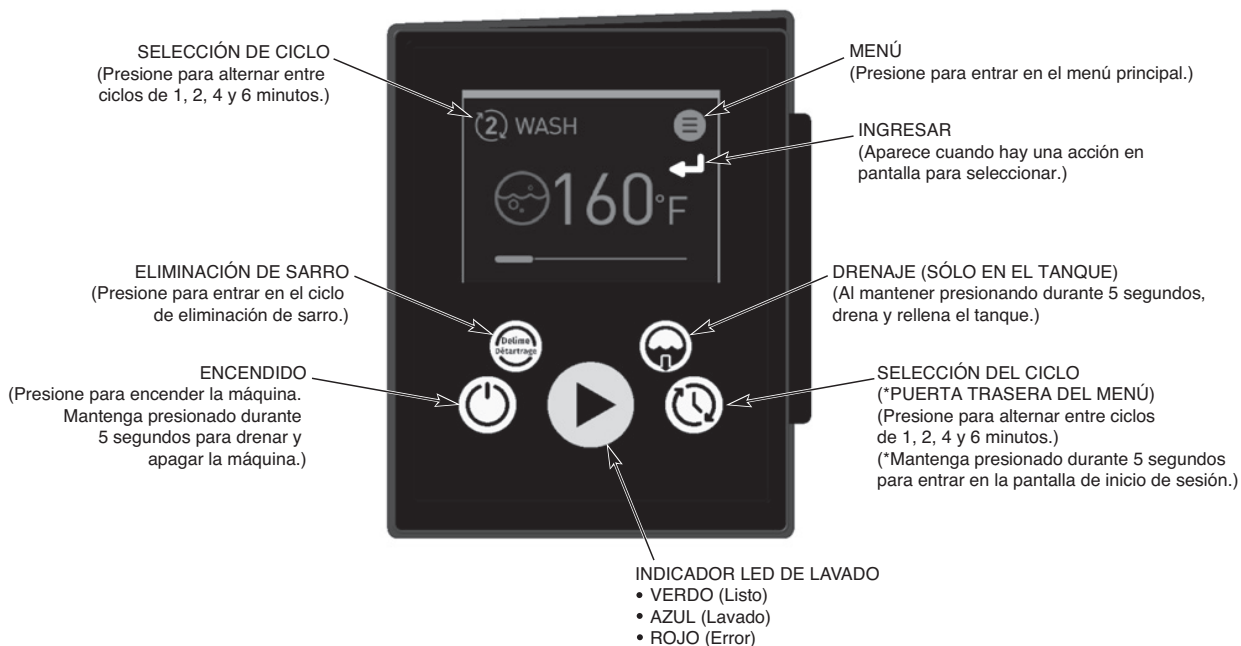


Fig. 21



Fig. 22

NOTA: En las máquinas equipadas con la función de recuperación de energía, el proceso de llenado puede tardar hasta 20 minutos.

Durante el lavado o en modo de reposo, la lectura muestra la temperatura de lavado. Durante el ciclo de enjuague, se muestra el icono de enjuague y la temperatura. Seleccione el ciclo de lavado: 1 para la vajilla normal, 2, 4 o 6 para las ollas y sartenes. A cada ciclo de lavado le sigue un enjuague automático. Cuando el ciclo de enjuague se ha completado y el icono de enjuague se apaga, se puede abrir la puerta.

En los modelos sin ventilación, la puerta debe permanecer cerrada hasta que se complete el ciclo de condensación. Todos los modelos sin ventilación incluyen un bloqueo para evitar que la puerta se abra hasta que se complete el ciclo. Durante el ciclo de condensación se muestra una barra de progreso de condensación. Si no se siguen estas instrucciones, se producirá un exceso de vapor y de agua en el compartimento de la vajilla.

LAVADO

Raspe los platos para eliminar las partículas grandes de comida y los restos. No utilice nunca lana de acero en la vajilla que se va a cargar en el lavavajillas.

Coloque los platos en una cesta. No apile los platos uno encima del otro, ya que el agua debe tener libre acceso a todos los lados de cada plato. Coloque los platos y la vajilla de canto en una cesta con espigas (Fig. 23). Las tazas, los vasos y los cuencos deben estar invertidos en una cesta de tipo abierto o de tipo compartimentado (Fig. 23). Los cubiertos y otras piezas pequeñas pueden estar esparcidos de forma suelta por el fondo de una cesta de fondo plano.

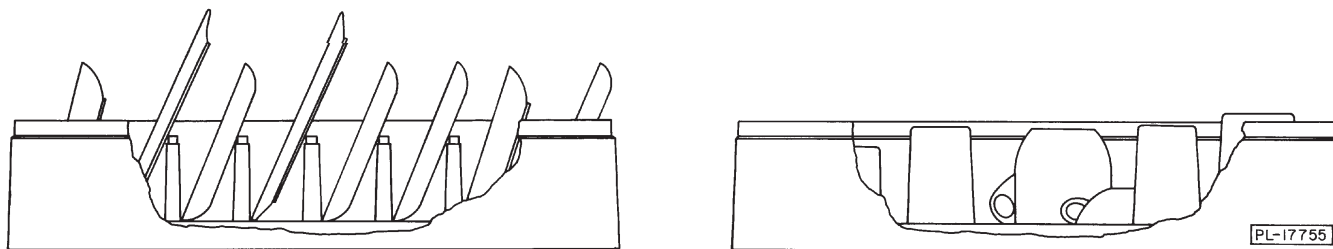


Fig. 23

No permita que ingresen a la unidad objetos extraños, especialmente contaminantes metálicos. Después de llenar una cesta, abra la puerta, introduzca la cesta en el lavavajillas y cierre la puerta.

A lo largo del ciclo de lavado, la temperatura del agua del tanque se muestra en la pantalla del panel frontal, junto con la palabra WASH (Lavar) y un icono. Durante el ciclo de enjuague, se muestra la temperatura del agua de enjuague, junto con la palabra RINSE (enjuague) y un icono. Una vez finalizado el ciclo de enjuague, el indicador muestra la temperatura del agua del tanque.

En los modelos sin ventilación, una barra de progreso muestra el tiempo restante del ciclo durante el ciclo de condensación.

Cuando la pantalla indique que el ciclo se ha completado, abra la puerta, retire la vajilla limpia, introduzca otra cesta y cierre la puerta.

Este lavavajillas no debe abrirse hasta que se haya completado un ciclo, pero si hay que añadir un plato después de que haya comenzado el ciclo de lavado, abra la puerta lentamente, hasta que la bomba se detenga. Espere 10 segundos para permitir que el brazo de lavado baje por inercia y para evitar que el agua salpique antes de abrir la puerta por completo.

Las temperaturas de funcionamiento de todos los modelos son las siguientes:

Modo de desinfección	Temperatura de lavado Lavado mínimo	Temperatura de enjuague Enjuague mínimo
Agua caliente	66 °C (150 °F)	82 °C (180 °F)
Químico	49 °C (120 °F)	49 °C (120 °F)

Sólo para los modelos "VL" – Si sale una cantidad excesiva de vapor o vapor de agua de la máquina después de completar el ciclo y abrir la puerta, la temperatura del agua fría entrante puede ser demasiado alta. Póngase en contacto con el servicio técnico de Hobart para ajustar los tiempos de enjuague y condensación de acuerdo con la tabla de ajuste que se muestra a continuación. El aumento de la duración del ciclo aumentará el consumo de agua y disminuirá las cestas por hora, pero debería reducir el vapor de agua que entra en el recinto para la vajilla.

TIEMPO DE CONDENSACIÓN RECOMENDADO (basado en la temperatura del agua entrante)

AM16VL-BAS y AM16VL-ADV

Temperatura del agua entrante °F (°C)	Temps de condensation (s)	Tiempo de enjuague (seg.)	Cestas por hora Base sin ventilación (ciclo de 1 minuto)	Cestas por hora ADV (ciclo de 1 minuto)
60 (16)	20	10	45	40
65 (18)	24	10	42	39
70 (21)	27	10	41	37
75 (24)	30	10	40	36
80 (27)	33	11	38	35
85+ (29+)	36	12	36	33

AM16VLT-BAS, AM16VLT-ADV y AM16SVLT

Temperatura del agua entrante °F (°C)	Tiempo de condensación (seg.)	Tiempo de enjuague (seg.)	Cestas por hora Base sin ventilación (ciclo de 1 minuto)	Cestas por hora ADV (ciclo de 1 minuto)
60 (16)	30	10	40	36
65 (18)	33	11	38	35
70 (21)	36	12	36	33
75 (24)	39	13	35	32
80 (27)	42	14	33	31
85+ (29+)	45	15	32	30

Sólo para los modelos AM16SCB – El lavado no se iniciará si la temperatura del tanque de lavado no es de 49 °C (120 °F) o si la temperatura del sobrecalentador no es de 49 °C (120 °F). Durante este tiempo, se muestra HEATING (calentamiento) en la pantalla hasta que las temperaturas de lavado y enjuague alcancen los 49 °C (120 °F). Si la temperatura de enjuague final no alcanza los 49 °C (120 °F), se mostrará el mensaje "Minimum final rinse temperature not reached. Machine locked" (Temperatura mínima de enjuague final no alcanzada. Máquina bloqueada) junto con "Error 084" y la máquina permanecerá bloqueada hasta que se vacíe y se vuelva a llenar.

Si el suministro de desinfectante está vacío después de 3 ciclos, "Sanitizer is empty" (Desinfectante vacío). Rellenar el desinfectante. "Machine is locked." (La máquina está bloqueada) se mostrará junto con el código de error "Error 079" y la máquina será inoperable. Vuelva a colocar el suministro de desinfectante y presione Enter para cebar. La bomba se cebará durante 20 segundos. Si no se detecta ninguna sustancia química, presione de nuevo Enter.

Si el suministro de detergente está vacío, se mostrará "Detergent is empty. Refill detergent. Machine is locked." (El detergente está vacío. Rellene el detergente. La máquina está bloqueada.) con el código de error "Error 077" y la máquina no funcionará. Vuelva a colocar el suministro de detergente y presione Enter para cebar. La bomba se cebará durante 20 segundos. Si no se detecta ninguna sustancia química, presione de nuevo Enter.

Sólo para los modelos AM16SVLT – El lavado no se iniciará si la temperatura del tanque de lavado es inferior a 66 °C (150 °F). Durante este tiempo, se mostrará HEATING (Calefacción) en la pantalla y la puerta permanecerá bloqueada. Si la máquina no se calienta, aparecerá el mensaje "Error 090" y la máquina se apagará a excepción de la pantalla. Después del ciclo de lavado, si la temperatura de sobrecalentado es inferior a 83 °C (181 °F), el ciclo de lavado se prolongará hasta 8 minutos antes de completar el ciclo de enjuague. Si la temperatura de enjuague final no alcanza los 83 °C (181 °F), aparece el mensaje "Minimum final rinse temperature not reached (No se alcanzó la temperatura mínima de enjuague final). Aparecerá "Machine locked" (Máquina bloqueada) junto con "Error 084" y la máquina permanecerá bloqueada hasta que se drene y rellene de nuevo.

Si el suministro de detergente está vacío después de 3 ciclos consecutivos, "Detergent is empty" (El detergente está vacío). Rellenar el detergente. "Machine is locked." (Máquina está bloqueada) se mostrará junto con el código de error "Error 077" y la máquina será inoperable. Reponga el suministro de detergente y presione Enter para cebar. La bomba se cebará durante 20 segundos. Si no se detecta ninguna sustancia química, presione de nuevo Enter.

LIMPIEZA

La máquina se debe limpiar minuciosamente al terminar cada turno de trabajo o, al menos, diariamente. Nunca utilice lana de acero para limpiar las superficies del lavavajillas. Use solo productos formulados para proteger el acero inoxidable.

1. Presione el botón de encendido durante 5 segundos (hasta que la barra de progreso esté completa). La máquina se drenará automáticamente.
2. Una vez que la pantalla se haya apagado, abra la puerta de la máquina.
3. Limpie bien y enjuague el interior del lavavajillas. Elimine los restos de suciedad con un paño suave o un cepillo y un limpiador suave. Enjuague de nuevo.
4. Retire y vacíe el canasto colador, la bandeja y el tubo. Lave y enjuague bien.
5. Limpie el fondo del tanque. No permita que los restos de los alimentos se acumule en el fondo del tanque o que entre en el desagüe.
6. Retire el tubo. Lave y enjuague el tubo por dentro y por fuera.
7. Asegúrese de que los brazos de lavado y enjuague superior e inferior (Figs. 24, 25) giren libremente y estén libres de cualquier obstrucción. Si no es así, retire los brazos y elimine cualquier obstrucción. Consulte la sección Mantenimiento, página 37.

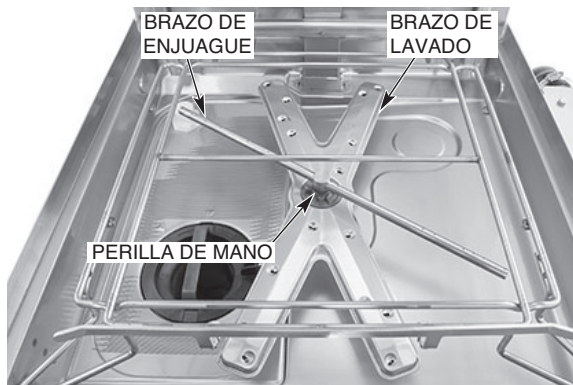


Fig. 24

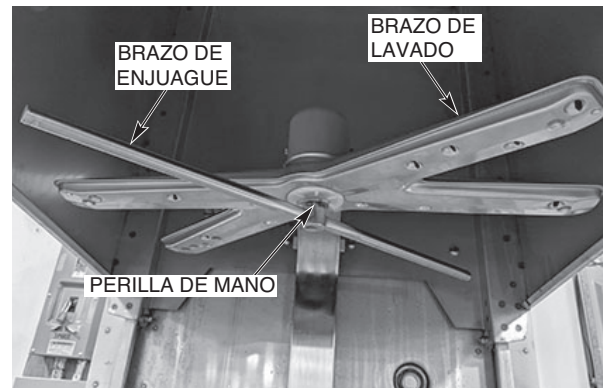


Fig. 25

NOTA: No golpee los brazos de lavado o de enjuague para limpiarlos.

8. Pulse el botón de vaciado manual (página 24, fig. 21) hasta que no quede agua en el fondo del tanque.
9. Vuelva a colocar todas las piezas retiradas. Deje la puerta de la máquina abierta para que el interior se ventile y se seque.

INSTRUCCIONES PARA ELIMINAR EL SARRO

Para entrar en el ciclo de eliminación de sarro sin notificación, presione el botón de eliminación de sarro en la HMI. El botón de eliminación de sarro está activo incluso cuando la máquina está apagada.

Proceso manual para retirar sarro (Modelos AM16-BAS, AM16T-BAS, AM16VL-BAS, AM16VLT-BAS, AM16SCB y AM16VLSCB)

La máquina indicará al operario cuándo debe eliminar el sarro en función de un número determinado de ciclos realizados. Cuando se le pida, en la pantalla se leerá "Delime required" (Eliminación de sarro requerida). "Start Delime Cycle?" (¿Iniciar ciclo de eliminación de sarro?)

Si está preparado para eliminar el sarro, pulse cualquier botón de flecha direccional para resaltar "yes" (sí) y pulse el botón "Enter". Presione el botón "Enter" en "no" para eliminar el sarro de la máquina más tarde. Si se selecciona "yes" (sí), pase al paso 3 a continuación. Inicie el proceso en el paso 1 si está iniciando el proceso de eliminación de sarro manual sin el aviso.

1. Pulse el botón "Delime" (Eliminación de sarro).
2. La pantalla mostrará el mensaje "Start Delime Cycle?" ¿Iniciar el ciclo de eliminación de sarro? Pulse cualquier botón de flecha direccional para resaltar "yes" (sí) y pulse el botón "Enter".
3. La pantalla indicará "Please Clean strainer" (Por favor, limpie el colador). Abra la puerta de la máquina y retire el canasto colador y la bandeja del colador. Limpie el canasto y la bandeja en un fregadero con un detergente suave y enjuague.
4. Vuelva a colocar la bandeja del colador y el canasto colador en la máquina y asegúrese de que el canasto esté en la posición de bloqueo (página 23, Fig. 19).
5. Cierre la puerta de la máquina y presione el botón "Enter". La máquina se drenará. Una vez que la máquina se haya drenado, la pantalla indicará "Please insert delime" (Por favor, introduzca la solución para la eliminación de sarro). Abra la puerta de la máquina y vierta la cantidad necesaria de producto químico de eliminación de sarro en el tanque de lavado según las recomendaciones del proveedor de productos químicos para el tanque de lavado de 37,9 l (10,5 galones) y cierre la puerta.
6. Una vez que la puerta esté cerrada, pulse el botón "Enter". El tanque se llenará de agua potable. Una vez llena, la unidad comenzará un ciclo de lavado de 10 minutos. Nota: El botón "Enter" no aparecerá en la pantalla hasta que la puerta se abra y se cierre.
7. Después del ciclo de lavado de 10 minutos, la máquina se drenará y se volverá a llenar con agua fresca. Una vez llenada, la unidad iniciará un ciclo de lavado de 1 minuto para eliminar cualquier residuo químico de la eliminación de sarro restante.
8. Después de un ciclo de lavado de 1 minuto, la máquina se drenará y se apagará.

Proceso automático para retirar el sarro (Modelos AM16-ASR, AM16T-ASR, AM16VL-ADV, AM16VLT-ADV y AM16SVLT)

La máquina indicará al operador cuándo debe eliminar el sarro en función de la dureza del agua y del uso de la máquina. Cuando se le pida, en la pantalla se leerá "Delime required" (Eliminación de sarro requerida). "Start Delime Cycle?" (¿Iniciar ciclo de eliminación de sarro? Si está preparado para eliminar el sarro, pulse cualquier botón de flecha direccional para resaltar "yes" (sí) y pulse el botón "Enter". Presione el botón "Enter" en "no" para eliminar el sarro de la máquina más tarde. Si se selecciona "yes" (sí), pase al paso 3 a continuación. Inicie el proceso en el paso 1 si está iniciando el proceso de eliminación de sarro automática sin el aviso.

NOTA: La máquina bombeará automáticamente la solución para la eliminación de sarro en el lavavajillas durante el ciclo de eliminación de sarro automático. Asegúrese de que hay suficiente producto químico en la botella y de que el tubo está completamente insertado en la botella.

1. Pulse el botón "Delime" (Eliminación de sarro).
2. La pantalla mostrará el mensaje "Start Delime Cycle?" ¿Iniciar el ciclo de eliminación de sarro? Pulse cualquier botón de flecha direccional para resaltar "yes" (sí) y pulse el botón "Enter".
3. La pantalla indicará "Please Clean strainer" (Por favor, limpie el colador). Abra la puerta de la máquina y retire el canasto colador y la bandeja del colador. Limpie el canasto y la bandeja en un fregadero con un detergente suave y enjuague.

4. Vuelva a colocar la bandeja del colador y el canasto colador en la máquina y asegúrese de que el canasto esté en la posición de bloqueo (página 23, Fig. 19).
5. Cierre la puerta de la máquina y presione el botón "Enter". La máquina se drenará. Una vez que la máquina haya drenado, comenzará a llenarse de nuevo con agua fresca y añadirá automáticamente la solución de eliminación de sarro a medida que la unidad se llene.
6. Una vez que la unidad se ha llenado y se ha añadido la solución de eliminación de sarro, la unidad comenzará un ciclo de lavado de 10 minutos.
7. Después del ciclo de lavado de 10 minutos, la máquina se drenará y se volverá a llenar con agua fresca. Una vez llenada, la unidad iniciará un ciclo de lavado de 1 minuto para eliminar cualquier residuo químico de la eliminación de sarro restante.
8. Después de un ciclo de lavado de 1 minuto, la máquina se drenará y se apagará.

QUÉ HACER Y QUÉ NO HACER CON SU LAVAVAJILLAS NUEVO DE HOBART

Asegúrese de que la dureza del agua es la adecuada (se recomienda 3 granos o menos por galón). Retire previamente todos los desechos de la vajilla.

Utilice únicamente los detergentes recomendados por su profesional químico.

Al final del día, limpie bien la máquina, enjuáguela y séquela (deje la puerta abierta). Siga al pie de la letra el programa de eliminación de sarro indicado por su profesional químico.

USE solo productos formulados para proteger el acero inoxidable. NO utilice detergentes formulados para lavavajillas residenciales. NO permita que restos de alimento se acumulen en el fondo del tanque.

NO supere las concentraciones de detergente, desinfectante, abrillantador o de eliminación de sarro recomendadas por el fabricante.

NO use lana de acero para limpiar los utensilios o las superficies del lavavajillas.

NO permita que entren objetos extraños en la unidad, especialmente contaminantes metálicos como clips, retenedores, etc.

NOTA: El incumplimiento de las instrucciones de uso, cuidado y mantenimiento puede anular la garantía de su lavavajillas Hobart.

PROGRAMACIÓN

MENÚ ADMINISTRADOR

Las máquinas de platos AM16 permiten opciones de personalización para el funcionamiento de la máquina. Para activar o modificar estas funciones, acceda al Menú administrador mediante el siguiente procedimiento.

1. Enciende el lavavajillas. La pantalla muestra la pantalla de listo cuando se ha completado el ciclo de llenado.
2. Pulse el botón "Menu".
3. Con la opción "Manager Menu" (menú administrador) resaltada, pulse el botón "Enter". Aparecerá la pantalla "Enter PIN" (introducir PIN).
4. El código de administrador por defecto es el 1001. Utilice los botones de flecha para cambiar el valor y presione el botón "Enter" para seleccionar el valor y pasar al siguiente dígito hasta introducir el código.
5. Utilice las flechas direccionales arriba y abajo para cambiar el menú administrador.
 - a. Una vez perfilada la selección deseada, pulse el botón Enter.
 - b. Para las selecciones editables, utilice las flechas direccionales Arriba y Abajo para cambiar el valor.
 - c. Una vez que aparezca el valor deseado, pulse el botón "Enter" para guardar la selección.
6. Para salir de la programación, utilice las flechas direccionales arriba y hacia abajo para desplazarse por los parámetros hasta que aparezca "back" (atrás) y pulse el botón "Enter". Repita este procedimiento hasta que aparezca la pantalla de listo.

PARÁMETROS DEL MENÚ ADMINISTRADOR

Nombre del parámetro	Descripción	Valores posibles	Valor predeterminado
AJUSTES DE LA MÁQUINA			
Idioma	Establece el idioma para la visualización de la máquina.	Inglés, francés, español, etc.	Inglés
Fecha	Establece el día, el mes y el año actual.		
Tiempo	Selecciona la hora actual (horas y minutos). La hora también se puede actualizar en formato de 24 horas.		
Unidades de temperatura	Ajusta las pantallas de temperatura a Fahrenheit o Celsius.	Fahrenheit o Celsius.	Fahrenheit
AJUSTES DE PANTALLA			
Brillo	Aumenta o disminuye el brillo de la pantalla de la máquina.		
ALARMA DE LA MÁQUINA			
Alarma de la máquina	Activa o desactiva una alarma sonora de fin de ciclo.	Habilitar o Deshabilitar	Habilitar

Nombre del parámetro	Descripción	Valores posibles	Valor predeterminado
MENÚ DE PRODUCTOS QUÍMICOS			
Concentración de abrillantador	Ajusta el nivel de concentración químico del abrillantador.	0 ml/l - 2 ml/l	1,1 ml/l
Concentración del detergente	Ajusta el nivel de concentración químico del detergente.	0 ml/l - 9,5 ml/l	2,5 ml/l
Cebado de bombas de productos químicos	Consulte la sección Cebado de la bomba de productos químicos, página 19.		
Dosificación del desinfectante	Ajusta el nivel de concentración químico del desinfectante.	0 % - 100 %	11 %
Concentración del producto químico de eliminación de sarro	Establece el nivel de concentración de producto químico de eliminación de sarro en función del porcentaje de eliminación de sarro en solución con el agua del sumidero y del tanque.	Bajo (1,25 %) Medio (1,89 %) Alto (3,77 %)	Bajo (1,25 %)
DUREZA DEL AGUA			
Dureza del agua	Establece la dureza del agua de suministro.	0 gr/gal - 250 gr/gal	7 gr/gal
REGISTRO DEL CICLO DE LA MÁQUINA			
Mostrar información del ciclo	Muestra la fecha y la hora de los ciclos anteriores.		
ENCENDIDO AUTOMÁTICO *			
Habilitar/Deshabilitar	Permite desactivar o activar la función de arranque automático.	Habilitar o Deshabilitar	Deshabilitar
Ajustes	Establece el día de arranque automático de la semana y la hora. Si la función está activada, la máquina se encenderá automáticamente y se llenará en el día y la hora establecidos.		

Nombre del parámetro	Descripción	Valores posibles	Valor predeterminado
WiFi			
Habilitar/Deshabilitar	Activa o desactiva la conexión WiFi.	Habilitar o Deshabilitar	Deshabilitar
Estado	Muestra el estado actual de la conexión WiFi de la máquina.		
Asistente de conexión	Conexión guiada a la red WiFi.	<ul style="list-style-type: none"> • Búsqueda de rede • WPS • Agregar red 	
Código de acceso	Genera un código de acceso que puede utilizarse para vincular la máquina con la aplicación SmartConect.		
Prueba de conexión	Prueba la conexión WiFi con la máquina para confirmar la conectividad WiFi.		
Instalación manual	Permite la conectividad a una red oculta.	<ul style="list-style-type: none"> • Búsqueda de rede • WPS • Agregar red 	
Asistente de conexión para móviles	Empareja la máquina con el Wifi a través de la aplicación SmartConnect.	No o Sí	
EJECUTA CICLOS HASTA LA NOTIFICACIÓN DE ELIMINACIÓN DE SARRO (SÓLO SE APLICA A LOS MODELOS AM16(T)-BAS, AM16VL(T)-BAS, AM16SCB Y AM16VLSCB)			
Ejecuta ciclos hasta la notificación de eliminación de sarro	Muestra los ciclos restantes hasta que aparezca la notificación del recordatorio de eliminación de sarro.		
Establecer el contador	Establece el número de ciclos hasta que se muestre la notificación de recordatorio de eliminación de residuos.	0-999999	2000
PROGRAMA DE LAVADO DIFERIDO			
Habilitar/Deshabilitar	Habilita o deshabilita el retraso de la temperatura del tanque de lavado. Si se activa, el ciclo de lavado se retrasará hasta que se alcance la temperatura mínima de lavado. La pantalla mostrará "Heating" (Calefacción) hasta que se alcance la temperatura.	Habilitar o Deshabilitar	Deshabilitar (Habilitar para los modelos SVLT y SCB)

Nombre del parámetro	Descripción	Valores posibles	Valor predeterminado
ALERTA DE TEMPERATURA DE ENJUAGUE			
Deshabilitado	Desactiva la alerta de baja temperatura de enjuague.		
Notificación	Activa la alerta de baja temperatura de enjuague. Después de un número determinado de ciclos (por defecto 3) por debajo de la temperatura mínima de enjuague requerida, la pantalla mostrará un aviso de alerta de temperatura de enjuague. La máquina seguirá funcionando normalmente.		
Bloqueo de la máquina	Activa el bloqueo por baja temperatura de enjuague. Después de un número determinado de ciclos (por defecto 3) por debajo de la temperatura mínima de enjuague requerida, la pantalla mostrará un aviso de alerta de temperatura de enjuague. La máquina se bloqueará y la unidad quedará inoperativa.		
Repetir el ciclo	Después de un número determinado de ciclos (por defecto 3) por debajo de la temperatura mínima de enjuague requerida, la máquina repetirá automáticamente los ciclos de lavado y enjuague.		
MONITOREO DEL COLADOR			
Monitoreo del colador	Detecta si el colador del tanque está colocado por error o advertencia. Si se ajusta a Mensaje de error, la unidad no puede funcionar hasta que se instale correctamente el colador. Si se ajusta a Advertencia, presione Enter para continuar con el funcionamiento normal de la máquina.	Mensaje de error o advertencia	Mensaje de error

* **NOTA:** Si se activa la función de arranque automático, la máquina se encenderá y se llenará mientras esté desatendida. Antes de utilizar esta función, asegúrese de que todos los paneles y componentes de la máquina están en su sitio y de que todas las conexiones de la máquina (por ejemplo: agua, desagüe, electricidad) están en funcionamiento.

APLICACIÓN HOBART SMARTCONNECT

Gracias al WiFi integrado, puede conectar su lavavajillas comercial AM16 a nuestra sencilla aplicación para teléfonos inteligentes. Con la aplicación gratuita Hobart SmartConnect, puede crear mejores procedimientos y mejorar el rendimiento en el recinto para la vajilla supervisando la desinfección y analizando el uso, el consumo y los costos. **NOTA:** Para suministros de 240 voltios, 380 voltios y 440 voltios, póngase en contacto con el servicio técnico de Hobart para ajustar el valor de potencia en los ajustes de servicio para obtener valores de consumo de energía precisos.

Conexión

Registrar una cuenta

1. Abra la aplicación y pulse en **Register** (Registro).
2. Introduzca su correo electrónico y pulse **Send Verification Code** (Enviar código de verificación). A continuación, introduzca el código que reciba en su correo electrónico.
3. Proporcione el resto de la información, incluida la contraseña.
4. Pulse **Create** (Crear).
5. Lea y acepte el acuerdo de licencia de usuario final y la política de privacidad. Pulse **Confirm** (Confirmar) al terminar.

Ahora puede utilizar la aplicación para conectarse al WiFi y sincronizar su máquina.

Conexión del AM16 al WiFi desde la aplicación SmartConnect

1. Pulse el "Hamburger Menu Icon" (Icono del menú hamburguesa) y pulse el botón "**WiFi**".
2. Pulse "**Connect**" (Conectar) para Hobart.
3. Siga la guía de la aplicación para preparar la máquina para la conexión.
4. Pulse "**Confirm Instructions**" (Confirmar instrucciones) y pulse "**Yes**" (Si) si la máquina está lista para la conexión.
5. La máquina generará un código; introdúzcalo en la aplicación y se conectará con la máquina.
6. Aparecerá una lista de redes disponibles. Seleccione la red a la que desea conectarse e introduzca la contraseña de la red si es necesario.
7. Cuando la conexión WiFi sea exitosa, la máquina indicará el éxito y mostrará un código de acceso para emparejarse con la aplicación.
8. En la pantalla principal de la aplicación, pulse el icono del menú de hamburguesas, luego pulse el botón "+" e introduzca el código de acceso para emparejar.

Conectando el AM16 al WiFi desde la máquina

1. Pulse el "Hamburger Menu Icon" (Icono del menú hamburguesa), seleccione "**Manager Menu**" (menú administrador) e introduzca su PIN.
2. Desplácese y pulse el botón "**Enter**" para seleccionar "**WiFi**".
3. Desplácese y seleccione "**Connection Assistant**" (Asistente de conexión).
4. Desplácese y seleccione "**Search Network**" (Buscar red).
5. Desplácese y seleccione la red disponible a la que desea conectarse.
6. Introduzca la contraseña de su red y pulse "**OK**".

7. La máquina se conectará a su red, transferirá los datos a la nube SmartConnect y mostrará un código de conexión para la aplicación.

Si su máquina no se conecta al WiFi, vaya a nuestras preguntas frecuentes en www.itwfoodequipment.com/smartconnect365/help para solucionar su conexión.

Para emparejar y añadir su AM16 a la aplicación

Antes de realizar el emparejamiento, asegúrese de que su máquina está conectada al WiFi siguiendo los pasos anteriores. Para emparejar su HobartAM16 con la aplicación SmartConnect:

Desde el lavavajillas

1. Toque el icono del menú para entrar en el menú administrador de su lavavajillas.
2. Seleccione el “**Manager Menu**” (Menú administrador) e introduzca su PIN.
3. Desplácese y seleccione “**WiFi**”.
4. Desplácese y seleccione “**Access Code**” (Código de acceso).
5. Se generará y mostrará un código de activación. Este código es válido durante 48 horas.

Desde la aplicación

1. Pulse el botón “+” en la parte inferior de la lista de máquinas.
2. Introduzca el código de activación que se encuentra en el menú administrador de la pantalla táctil de la máquina y, a continuación, pulse **Submit**.
3. Seleccione su proveedor de servicios en el menú desplegable.
4. Pulse **Finish** (Terminar).

Su máquina aparecerá ahora en la lista de máquinas de la pantalla de inicio de la aplicación.

Para obtener más información sobre SmartConnect, incluidas las instrucciones de uso, la solución de problemas de su conexión WiFi y otras preguntas generales, visite la guía de ayuda y preguntas frecuentes de SmartConnect en www.itwfoodequipment.com/smartconnect365/help.

MANTENIMIENTO

⚠ ADVERTENCIA Desconecte la energía eléctrica de la máquina (tanto del lavavajillas como del sobrecalentador, si se aplica) y siga los procedimientos de bloqueo/etiquetado. Asegúrese de que todos los circuitos están desconectados.

BRAZOS DE LAVADO

Los brazos de lavado y enjuague superior e inferior (página 28, Figs. 24, 25) deben girar libremente y continuar girando durante unos segundos después de ser girados a mano. Retire cualquier obstáculo que provoque un funcionamiento incorrecto.

Si la bandeja del colador o el canasto colador no están bien colocados, las obstrucciones (como partículas de comida o huesos) pueden obstruir las boquillas del brazo de lavado. Los brazos de lavado se extraen fácilmente para su limpieza.

Para retirar el brazo de lavado inferior, desenrosque la perilla manual y levante el brazo de enjuague (Fig. 24). El brazo de lavado se puede levantar una vez retirado el brazo de enjuague.

Los brazos superiores de lavado y enjuague se extraen desenroscando la perilla manualmente (Fig. 25) y bajando ambos brazos a la vez. Tenga cuidado de no dejar caer los brazos.

MOTOR(ES)

El motor de la bomba de lavado, el motor de la bomba de enjuague, el motor de la bomba de drenaje y el motor del ventilador (sólo en los modelos "VL") están equipados con rodamientos de lubricación permanente y no requieren mantenimiento de lubricación.

BOMBAS DE PRODUCTOS QUÍMICOS

Si la unidad tiene bombas de productos químicos Hobart integradas, inspeccione los tubos para químicos cada 6 meses y reemplácelos según sea necesario. Inspeccione también las tapas de las botellas de productos químicos y los tubos verticales para asegurarse de que no están agrietados o desgastados.

LIMPIEZA DE DEFLECTORES EN LOS MODELOS AM16VLT-BAS, AM16VLT-ADV Y AM16SVLT

Los deflectores (superior e inferior), situados en la pared posterior del interior de la máquina (Fig. 26), deben limpiarse cada 6 meses o antes si es necesario.

⚠ ADVERTENCIA Desconecte la energía eléctrica de la máquina (tanto del lavavajillas como del sobrecalentador, si se aplica) y siga los procedimientos de bloqueo/etiquetado. Asegúrese de que todos los circuitos están desconectados.

1. Afloje y retire las tuercas de cada deflector y retire los deflectores.
2. Los residuos pueden acumularse en las superficies de los deflectores y deben lavarse en un fregadero con un detergente suave y enjuagarse.
3. Vuelva a colocar los deflectores con las tuercas retiradas en el paso 1.
4. Deje la puerta de la máquina abierta para que el interior se ventile y se seque.

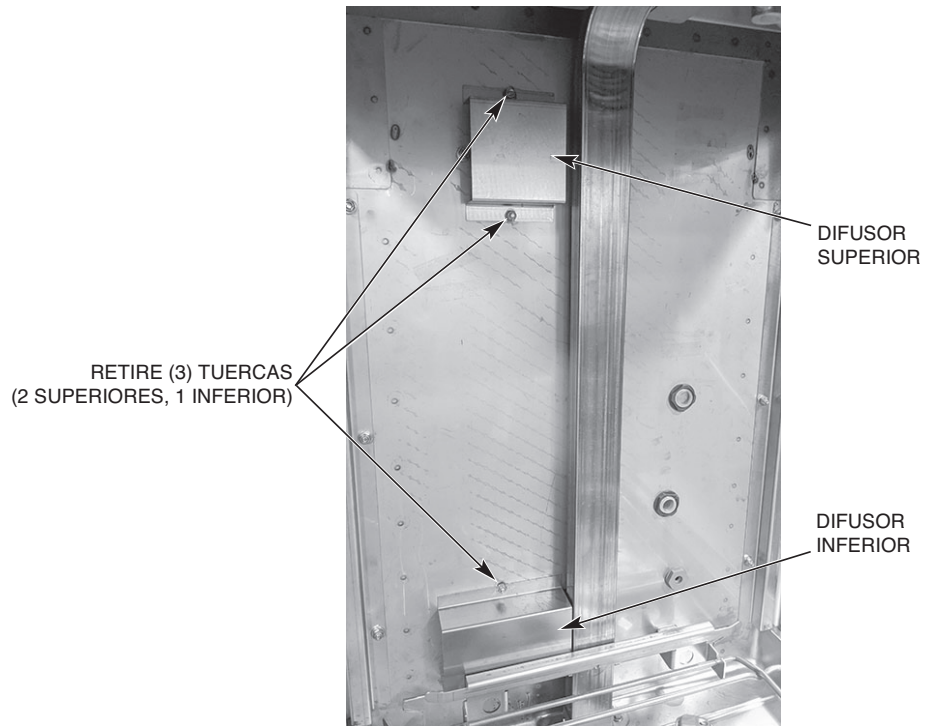


Fig. 26

SOLUCIÓN DE PROBLEMAS

TABLA DE CÓDIGOS DE ERROR CON POSIBLES SOLUCIONES

N° de error	Texto en pantalla	Descripción del error	Solución de problemas
001	Error de temperatura del sobrecalentador.	La temperatura del sobrecalentador es de 115 °C/239 °F o superior.	Presione el botón de encendido durante 5 segundos para borrar el error. La unidad se drenará y se apagará. Si el error persiste, póngase en contacto con el servicio técnico de Hobart.
002	Error de temperatura del sobrecalentador.	La temperatura del sobrecalentador es de 0° C/32° F o inferior.	Presione el botón de encendido durante 5 segundos para borrar el error. La unidad se drenará y se apagará. Si el error persiste, póngase en contacto con el servicio técnico de Hobart.
003	No se ha alcanzado la temperatura de sobrecalentamiento durante el ciclo de llenado.	Durante el ciclo de llenado, la temperatura del sobrecalentador no alcanzó el punto de ajuste dentro del tiempo predeterminado.	Presione el botón ENTER para quitar el error. Si el error persiste, póngase en contacto con el servicio técnico de Hobart.
004	No se alcanza la temperatura de sobrecalentamiento durante el ciclo de lavado.	Durante el ciclo de lavado, la temperatura del calentador no alcanzó el punto de ajuste dentro del tiempo predeterminado.	Presione el botón ENTER para quitar el error. Si el error persiste, póngase en contacto con el servicio técnico de Hobart.
006	Error en la temperatura de lavado.	La temperatura del tanque de lavado es de 115 °C/239 °F o superior.	Presione el botón de encendido durante 5 segundos para borrar el error. La unidad se drenará y se apagará. Si el error persiste, póngase en contacto con el servicio técnico de Hobart.
007	Error en la temperatura de lavado.	La temperatura del tanque de lavado es de 0 °C/32 °F o inferior.	Presione el botón de encendido durante 5 segundos para borrar el error. La unidad se drenará y se apagará. Si el error persiste, póngase en contacto con el servicio técnico de Hobart.
008	No se ha alcanzado la temperatura del tanque de lavado durante el ciclo de llenado.	Durante el ciclo de llenado, la temperatura del tanque de lavado no alcanzó el punto de ajuste dentro del tiempo predeterminado.	Presione el botón ENTER para quitar el error. Si el error persiste, póngase en contacto con el servicio técnico de Hobart.
009	No se alcanza la temperatura en el tanque de lavado durante el ciclo de lavado.	Durante el ciclo de lavado, la temperatura del tanque de lavado no alcanzó el punto de ajuste dentro del tiempo predeterminado.	Presione el botón ENTER para quitar el error. Si el error persiste, póngase en contacto con el servicio técnico de Hobart.
014	Fallo del sensor de presión del sobrecalentador.	Se ha superado el nivel máximo de agua sobrecalentada. La máquina no funcionará.	Presione el botón de encendido durante 5 segundos para borrar el error. La unidad se drenará y se apagará. Si el error persiste, póngase en contacto con el servicio técnico de Hobart.

N° de error	Texto en pantalla	Descripción del error	Solución de problemas
015	Fallo del sensor de presión del sobrecalentador.	No se ha alcanzado el nivel mínimo de agua sobrecalentada. La máquina no funcionará.	Presione el botón de encendido durante 5 segundos para borrar el error. La unidad se drenará y se apagará. Si el error persiste, póngase en contacto con el servicio técnico de Hobart.
016	Fallo del sensor de presión del tanque de lavado.	Se ha superado el nivel máximo de agua del tanque de lavado. La máquina no funcionará.	Presione el botón de encendido durante 5 segundos para borrar el error. La unidad se drenará y se apagará. Si el error persiste, póngase en contacto con el servicio técnico de Hobart.
017	Fallo del sensor de presión del tanque de lavado.	No se ha alcanzado el nivel mínimo de agua del tanque de lavado. La máquina no funcionará.	Presione el botón de encendido durante 5 segundos para borrar el error. La unidad se drenará y se apagará. Si el error persiste, póngase en contacto con el servicio técnico de Hobart.
018	El nivel de agua del tanque de lavado es demasiado alto.	El nivel de agua del tanque de lavado está por encima del límite superior.	Pulse el botón ENTER si se muestra para borrar el error. Si no aparece el botón ENTER, pulse el botón de encendido durante 5 segundos. La máquina se vaciará y se apagará. Si el error persiste, póngase en contacto con el servicio técnico de Hobart.
019	Colador del tanque obstruido. Retire el colador, límpielo y vuelva a colocarlo en su sitio.	La bandeja del colador del tanque está obstruida.	Retire, limpie y vuelva a colocar la bandeja del colador. Presione el botón ENTER para quitar el error. La máquina se vaciará y se apagará si el nivel de agua es bajo. Si el nivel de agua ha vuelto a la normalidad, la máquina se apagará, pero no se vaciará. Encienda la máquina para que siga funcionando.
020	Error del sensor de presión del tanque de lavado. Drene y reinicie la máquina.	El nivel de agua del tanque de lavado no aumentó en la cantidad prevista después de llenarse con el ciclo de enjuague.	Presione el botón ENTER para quitar el error. La máquina se vaciará y borrará el error. Asegúrese de que el tanque está limpio. Si el error persiste, póngase en contacto con el servicio técnico de Hobart.
021	La manguera de drenaje está obstruida. Limpie la manguera de drenaje y vuelva a vaciar la máquina.	Queda mucha agua en el tanque de lavado después del ciclo de drenaje.	Asegúrese de que la máquina esté apagada y que el agua de lavado se haya enfriado. Verifique que el tubo y el fondo del tanque de lavado estén libres de residuos. Limpie la manguera de drenaje y drene la máquina. Asegúrese de que la manguera de drenaje no está doblada y está instalada correctamente. Si el error permanece en la pantalla, pulse el botón de encendido durante 5 segundos para borrar el error. La máquina se drenará y se apagará.

N° de error	Texto en pantalla	Descripción del error	Solución de problemas
022	La manguera de drenaje está obstruida. Limpie la manguera de drenaje.	Durante el ciclo de lavado, el nivel de agua no se mantiene en el nivel normal.	Asegúrese de que la máquina esté apagada y que el agua de lavado se haya enfriado. Verifique que el tubo y el fondo del tanque de lavado estén libres de residuos. Limpie la manguera de drenaje y drene la máquina. Asegúrese de que la manguera de drenaje no está doblada y está instalada correctamente. Si el error permanece en la pantalla, pulse el botón ENTER para borrar el error.
023	Tiempo de espera del sistema de llenado, inspeccione la línea de agua entrante.	La válvula de llenado ha estado activada durante más tiempo que el tiempo de llenado máximo permitido y no se ha alcanzado el nivel de agua del tanque de lavado. Este error sólo se producirá si la unidad está equipada con llenado rápido.	Asegúrese de que el suministro de agua entrante está abierto y que la manguera de llenado no está doblada. Verifique que la presión del agua esté entre 15 y 65 psi. Presione el botón ENTER para quitar el error. Si el error persiste, póngase en contacto con el servicio técnico de Hobart.
029	Programa interrumpido. Cierre la puerta.	La puerta se abre durante el funcionamiento de la máquina.	Cierre la puerta y asegúrese de que está completamente asentada. La operación actual se reanuda. Si el error persiste, póngase en contacto con el servicio técnico de Hobart.
032	Error de llenado, inspeccionar la línea de agua entrante.	El nivel de agua sobrecalentada no ha alcanzado el nivel adecuado en el tiempo establecido.	Asegúrese de que el suministro de agua entrante está abierto y que la manguera de llenado no está doblada. Verifique que la presión del agua esté entre 15 y 65 psi. Presione el botón ENTER para quitar el error. Si el error persiste, póngase en contacto con el servicio técnico de Hobart.
033	Error de la válvula de llenado.	La válvula de llenado ha estado activa durante más tiempo que el máximo permitido.	Asegúrese de que el suministro de agua entrante está abierto y que la manguera de llenado no está doblada. Verifique que la presión del agua esté entre 15 y 65 psi. Presione el botón ENTER para quitar el error. Si el error persiste, cierre el suministro de agua y póngase en contacto con el servicio técnico de Hobart.
035	Asegúrese de que el colador del tanque está bloqueado en su lugar.	El canasto de residuos interno no está insertado, o no está en la posición de bloqueo.	Asegúrese de que el canasto de residuos está correctamente instalado y en la posición de bloqueo. La flecha del canasto de residuos debe coincidir con la flecha de la bandeja del colador. Si se instala correctamente, el error se eliminará automáticamente. (Consulte la página 23, Fig. 19)
038	La potencia de entrada a la máquina es demasiado alta. La máquina se ha apagado.	La tensión de entrada es superior a la tensión máxima requerida de la máquina.	La tensión de entrada debe ser igual o inferior a la tensión necesaria de la máquina (refiérase a la placa de datos de la máquina). Desconecte el suministro del disyuntor y asegúrese de que la unidad está conectada con el suministro de voltaje adecuado. Presione Enter para borrar el error.

N° de error	Texto en pantalla	Descripción del error	Solución de problemas
039	Ciclo de llenado interrumpido. Cierre la puerta.	La puerta se abre durante el ciclo de llenado.	Cierre la puerta y asegúrese de que está completamente asentada. El ciclo de llenado se reanuda. Si el error persiste, póngase en contacto con el servicio técnico de Hobart.
049	La comunicación entre los controles se ha interrumpido.	Interrupción de la comunicación entre la placa de control y la pantalla táctil.	La comunicación entre los controles debería restablecerse automáticamente. Si el problema persiste, póngase en contacto con el servicio técnico de Hobart.
052	La manguera de drenaje está obstruida.	El nivel de agua del tanque de lavado está por encima del límite superior.	Asegúrese de que la máquina esté apagada y que el agua de lavado se haya enfriado. Verifique que el tubo y el fondo del tanque de lavado estén libres de residuos. Limpie la manguera de drenaje y drene la máquina. Asegúrese de que la manguera de drenaje no está doblada y está instalada correctamente. Si el error permanece en la pantalla, pulse el botón de encendido durante 5 segundos para borrar el error. La máquina se drenará y se apagará.
054	No se detecta el canasto colador ASR. Coloque el canasto colador ASR en la caja ASR.	No se detecta el canasto ASR.	Asegúrese de que el canasto colador ASR está correctamente instalado. Si se instala correctamente, el error se eliminará automáticamente. Para hacer funcionar la máquina sin ASR, pulse el botón ENTER para reconocer el error durante un ciclo. Si el error persiste, póngase en contacto con el servicio técnico de Hobart.
057	El tanque de lavado se está llenando. El ciclo comenzará cuando se reponga el agua.	El nivel de agua del tanque de lavado es bajo al inicio del ciclo de lavado.	La máquina se llena automáticamente mientras se disipa el error. Una vez alcanzado el nivel de agua adecuado, se iniciará el ciclo de lavado.
059	La conexión a la nube no está disponible.	WiFi está conectado, los datos no se pueden enviar a la nube.	Pulsa en AYUDA en la aplicación Smart Connect y consulte la resolución de problemas en las preguntas frecuentes para obtener orientación.
070	No se ha alcanzado la temperatura mínima de lavado.	La temperatura de lavado no alcanzó el punto de ajuste mínimo requerido.	Presione el botón ENTER para quitar el error. Si el error persiste, póngase en contacto con el servicio técnico de Hobart.
071	No se ha alcanzado la temperatura mínima de enjuague.	La temperatura de enjuague no alcanzó el punto de ajuste mínimo requerido.	Presione el botón ENTER para quitar el error. Si el error persiste, póngase en contacto con el servicio técnico de Hobart.
074	Detergente vacío. Rellenar el detergente.	El detergente no ha sido detectado durante el número establecido de ciclos consecutivos.	Asegúrese de que el detergente está presente en la botella y que el tapón y el tubo están bien sujetos a la botella. Reemplace la botella de detergente si está vacía. Pulse el botón ENTER para cebar la bomba de detergente. Repetir según sea necesario.

N° de error	Texto en pantalla	Descripción del error	Solución de problemas
075	Abrillantador vacío. Rel- lenar el abrillantador.	El abrillantador no ha sido detectado durante el número establecido de ciclos consecutivos.	Asegúrese de que el abrillantador está presente en la botella y que el tapón y el tubo están bien sujetos a la botella. Reemplace la botella del abrillantador si está vacía. Pulse el botón ENTER para cebar la bomba del abrillantador. Repetir según sea necesario.
076	Desinfectante vacío. Rel- lenar el desinfectante.	El desinfectante no ha sido detectado durante el número establecido de ciclos consecutivos.	Asegúrese de que el desinfectante está presente en la botella y que el tapón y el tubo están bien sujetos a la botella. Sustituya la botella de desinfectante si está vacía. Pulse el botón ENTER para cebar la bomba de desinfección. Repetir según sea necesario.
077	Detergente vacío. Máquina bloqueada.	El detergente no se ha de- tectado durante tres ciclos consecutivos. La máquina se bloqueará hasta que se vuelva a colocar el deter- gente.	Asegúrese de que el detergente está presente en la botella y que el tapón y el tubo están bien sujetos a la botella. Reemplace la botella de detergente si está vacía. Pulse el botón ENTER para cebar la bomba de detergente. Repetir según sea necesario.
079	Desinfectante vacío. Máquina bloqueada.	El desinfectante no se ha detectado durante tres ciclos consecutivos. La máquina se bloqueará hasta que se vuelva a colocar el detergente.	Asegúrese de que el desinfectante está presente en la botella y que el tapón y el tubo están bien sujetos a la botella. Sustituya la botella de desinfectante si está vacía. Pulse el botón ENTER para cebar la bomba de desinfección. Repetir según sea necesario.
080	Eliminación de sarro requerida Ejecute el ciclo de eliminación de sarro.	Si se activa el bloqueo de eliminación de sarro, la máquina se bloqueará si se ignora el recordatorio de eliminación de sarro 10 veces.	Presione el botón ENTER y ejecute un ciclo de eliminación de sarro para restablecer el recordatorio de descalcificación.
081	Temperatura de enjuague final demasiado alta.	La temperatura de enjuague final es de 115 °C/239 °F o superior.	Presione el botón de encendido durante 5 segundos para borrar el error. La unidad se drenará y se apagará. Si el error persiste, póngase en contacto con el servicio técnico de Hobart.
082	Temperatura de enjuague final demasiado baja.	La temperatura de enjuague final es de 0 °C/32 °F o inferior.	Presione el botón de encendido durante 5 segundos para borrar el error. La unidad se drenará y se apagará. Si el error persiste, póngase en contacto con el servicio técnico de Hobart.
083	No se alcanza la tempera- tura mínima de enjuague final.	La temperatura de enjuague final no alcanzó la temperatura mínima de enjuague final después de tres ciclos consecutivos.	Presione el botón ENTER para quitar el error. Si el error persiste, póngase en contacto con el servicio técnico de Hobart.

N° de error	Texto en pantalla	Descripción del error	Solución de problemas
084	No se alcanza la temperatura mínima de enjuague final. Máquina bloqueada.	Si el bloqueo de enjuague final está activado y la temperatura de enjuague final no alcanzó la temperatura mínima de enjuague final después de tres ciclos consecutivos, la máquina se bloqueará.	Presione el botón de encendido durante 5 segundos para borrar el error. La unidad se drenará y se apagará. Si el error persiste, póngase en contacto con el servicio técnico de Hobart.
085	Se ha disparado la sobretemperatura del tanque de lavado.	Se ha disparado la sobretemperatura del tanque de lavado.	El error no se puede borrar hasta que se haya restablecido la sobretemperatura. Contacte el servicio de Hobart
086	La sobretemperatura del sobrecalentador se ha disparado.	Se ha disparado la sobretemperatura del sobrecalentador.	El error no se puede borrar hasta que se haya restablecido la sobretemperatura. Contacte el servicio de Hobart
087	No se alcanza la temperatura mínima de enjuague final después de repetir el ciclo.	La temperatura de enjuague final es inferior al punto de ajuste.	Presione el botón de encendido durante 5 segundos para borrar el error. La unidad se drenará y se apagará. Si el error persiste, póngase en contacto con el servicio técnico de Hobart.
088	Error del contactor del calentador del tanque de lavado. Contacte el servicio.	El calentador del tanque de lavado permanece encendido mientras se ignora la orden de apagado del software.	La máquina está ejecutando un ciclo de llenado y vaciado para proteger el calentador. Este error no es servible para el usuario. Desconecte el suministro del disyuntor y póngase en contacto con el servicio técnico de Hobart.
089	Error en el contactor del sobrecalentador. Contacte el servicio.	El sobrecalentador permanece encendido mientras se ignora la orden de apagado del software.	La máquina está ejecutando un ciclo de llenado y vaciado para proteger el calentador. Este error no es servible por el usuario. Desconecte el suministro del disyuntor y póngase en contacto con el servicio técnico de Hobart.
090	Temperatura no alcanzada. Drene y reinicie la máquina. Si es necesario, póngase en contacto con el técnico de servicio.	La temperatura de lavado no alcanzó el punto de ajuste mínimo requerido dentro del período de tiempo de espera (sólo modelos SCB y SVLT).	Presione el botón de encendido durante 5 segundos para borrar el error. La unidad se drenará y se apagará. Si el error persiste, póngase en contacto con el servicio técnico de Hobart.

MÓDULO DE COMUNICACIÓN

Para los modelos AM16SCB equipados con el módulo de comunicación integrado sPod®, la unidad se conectará automáticamente a una puerta de enlace SiteSage® y comenzará a transmitir los datos pertinentes para la supervisión remota en el momento de la puesta en marcha. Si surgen problemas, póngase en contacto con el grupo de apoyo de su proveedor de sistemas de comunicación.

SÍNTOMA	CAUSA POSIBLE
No hay funcionamiento de la máquina.	<ol style="list-style-type: none"> Máquina apagada, encienda la máquina. Fusible fundido o disyuntor disparado en la fuente de alimentación.
La vajilla no está limpia.	<ol style="list-style-type: none"> Pérdida de presión del agua por obstrucción de la bomba. ⚠ ADVERTENCIA Desconecte la alimentación eléctrica (tanto del lavavajillas como del sobrecalentador, si se aplica) y vacíe el tanque. Retire el colador y el tubo y compruebe que la entrada de la bomba y el desagüe no están obstruidos. Temperatura del agua incorrecta. Póngase en contacto con el servicio técnico para su ajuste o reparación. Exceso de depósitos minerales en todo el sistema de lavado y enjuague. Puede ser necesario eliminar el sarro, consulte la página 28. Compruebe que los brazos de lavado y de enjuague no estén obstruidos y que giren correctamente. Los coladores están obstruidos y el suministro de agua a la bomba es inadecuado; limpie la máquina según la sección de Limpieza, página 28. Asegúrese de que el dispensador de productos químicos funciona correctamente. Exceso de suciedad; raspe los platos antes del ciclo Carga incorrecta de las cestas; consulte Preparación y lavado de vajilla, páginas 23, 25.
Manchas en los cubiertos, los vasos y la vajilla.	<ol style="list-style-type: none"> Bandejas mal cargadas. Temperatura incorrecta del agua de enjuague. Pérdida de presión del agua por obstrucción de la bomba. ⚠ ADVERTENCIA Desconecte la alimentación eléctrica (tanto del lavavajillas como del sobrecalentador, si se aplica) y vacíe el tanque. Compruebe si hay alguna obstrucción en la entrada de la bomba. Agua excesivamente dura. Detergente incorrecto para el tipo de agua. Aditivo de enjuague incorrecto para el tipo de agua. Concentración incorrecta de detergente, aditivo de enjuague y/o desinfectante. Exceso de suciedad; raspe los platos antes del ciclo. Asegúrese de que el tanque de lavado se drene y se limpie según sea necesario.
Exceso de vapor o vapor de agua después de completar el ciclo. Sólo modelos AM16VL-BAS, AM16VLT-BAS, AM16VL-ADV, AM16VLT-ADV y AM16SVLT.	<ol style="list-style-type: none"> Agua fría entrante demasiado caliente. Comuníquese con el servicio técnico de Hobart para ajustar el tiempo del ciclo de condensación.
Enjuague inadecuado o temperatura del agua de enjuague demasiado baja.	<ol style="list-style-type: none"> Exceso de depósitos minerales en todo el sistema de lavado y enjuague. Puede ser necesario eliminar el sarro, consulte la página 28. Para las máquinas calientes con ventilación, la temperatura del agua entrante en el sobrecalentador debe ser inferior a 43 °C (110 °F). Para las máquinas sin ventilación, la temperatura del agua entrante a la máquina debe ser inferior a 12,8 °C (55 °F). La máquina extenderá automáticamente el tiempo de lavado hasta que el sobrecalentador se caliente. Asegúrese de que los brazos de enjuague giren libremente.

SÍNTOMA	CAUSA POSIBLE
Válvula con fuga.	<ol style="list-style-type: none"> 1. Si la conexión de la manguera en la válvula tiene fugas, compruebe la junta de la manguera para asegurarse de que está bien asentada y no está desgastada o cortada. 2. Si la electroválvula funciona mal (tiene fugas, no se abre o no se cierra), póngase en contacto con el servicio técnico de Hobart.
Bajo/no hay calor en el tanque de lavado.	<ol style="list-style-type: none"> 1. Garantice un nivel de agua suficiente en el tanque. 2. Asegúrese de que el elemento calefactor esté limpio y sin exceso de sarro.
No se llena o se llena lentamente.	<p>Nota: El tiempo de llenado podría ser de hasta 25 minutos.</p> <ol style="list-style-type: none"> 1. El suministro de agua puede estar cortado; asegúrese de que la válvula de suministro de agua caliente está abierta. 2. Colador sucio en la conexión de la manguera de llenado que provoca una reducción del flujo de agua. Cierre el suministro de agua caliente, retire la manguera de llenado y limpie la malla. Vuelve a montar.
Desbordamiento del ASR (si la máquina está equipada con ASR)	<ol style="list-style-type: none"> 1. Asegúrese de que la línea de drenaje no está obstruida. 2. Asegúrese de que la cesta ASR esté limpia y correctamente instalada.
No dispensar productos químicos (en máquinas equipadas con bombas de productos químicos de Hobart).	<ol style="list-style-type: none"> 1. Asegúrese de que las botellas de productos químicos están llenas. 2. Asegúrese de que los tapones de las botellas de productos químicos estén bien aseguradas. 3. Inspeccione la tubería y asegúrese de que está ajustada a las tapas de las botellas. 4. Asegúrese de que los tubos no estén doblados o retorcidos. 5. Asegúrese de que el tubo vertical y la tubería están completamente asentados en la botella de productos químicos. 6. Ceban manualmente los productos químicos. Si no lo consigue, póngase en contacto con el servicio técnico de Hobart.

SERVICIO

PIEZAS FUNGIBLES DEL AM16

Las siguientes piezas de la máquina del lavavajilla AM16 son desechables por naturaleza y pueden no estar cubiertas por la garantía de productos Hobart. Para ver la garantía de los productos Hobart, consulte <https://www.hobartservice.com/service-plans/hobart-product-warranty>.

LISTA DE PIEZAS FUNGIBLES DEL AM16

Número de pieza	Descripción	Cantidad	Tipo de máquina
00-443581	Conector USB	1	Todas
00-918049	Tapón del brazo elevador	2	Todas
00-893834	Junta, tapa superior, alta AM	3	Altura
00-975055	Buje, brazo de lavado	2	Todas
00-886610	Kit, tapón del brazo de lavado	1	Todas
00-562078	Anillo de retención	2	Todas
00-185112	Tubo (eliminación de sarro)	1	Advansys / ASR
00-185105-00029	Tubo, negro, 3,7 m (144 in)	1	Advansys / ASR
00-13156-00001	Abrazadera (manguera con acción de resorte)	AR	Advansys / ASR
00-949651-00001	Kit de tubo de presión, bomba de productos químicos (desinfectante, abrillantador, detergente) (Incluye abrazaderas de manguera)	3	SCB / SVLT
00-185105-00002	Tubería, rojo, 3,7 m (144 in), 1/4 in	1	SCB
00-185105-00006	Tubería, azul, 3,7 m (144 in), 1/4 in	1	SCB
00-185105-00004	Tubería, transparente, 3,7 m (144 in), 1/4 in	1	SCB
00-185105-00013	Tubo, transparente, 15 cm (6 in)	2	SCB
00-185105-00024	Tubo, transparente, 1,68 m (66 in)	1	SCB
00-562915	Kit, tapa química de repuesto	1	SCB
00-975024	Montaje, filtro de aspiración	AR	SCB
00-185111-00001	Abrazadera #2	AR	SCB
00-463293	Tubo, mirilla	1	SVLT
00-185111-00002	Abrazadera, manguera 7/16 in	AR	SVLT
00-474800	Cesta, 6 cacerolas	AR	Altura
00-315191	Cesta de espigas	AR	Todas
00-315193	Cesta de combinaciones	AR	Todas

Póngase en contacto con su oficina local de servicio autorizado Hobart para cualquier reparación o ajuste necesario en este equipo. Existen contratos de servicio a largo plazo para este y otros productos Hobart. Llame al 1-888-4HOBART para el servicio de Hobart las 24 horas del día.

